

Keystone Jack Installation Guide

KJ36F Series

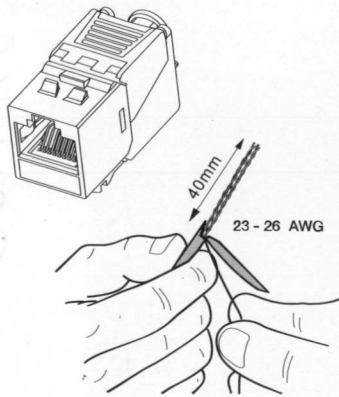
Termination instruction:

Please install in accordance with below options are based upon different termination methods.

Option 1 – Toolless

Option 2 – KJ-TL termination tool

1



Strip approximately 40mm of the cable jacket. Cut off the plastic cross and separate the wire into 4 pairs.

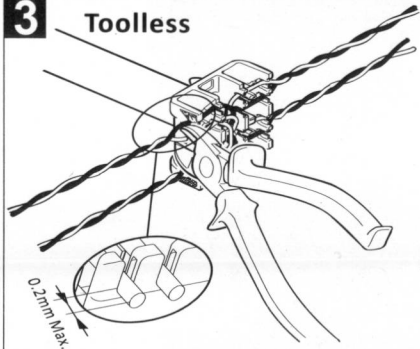
2

Wiring Configurations

T568A	1	2	3	4	5	6	7	8
	White Green	Green	White Orange	Blue	White Blue	Orange	White Brown	Brown
T568B	1	2	3	4	5	6	7	8
	White Orange	Orange	White Green	Blue	White Blue	Green	White Brown	Brown

3

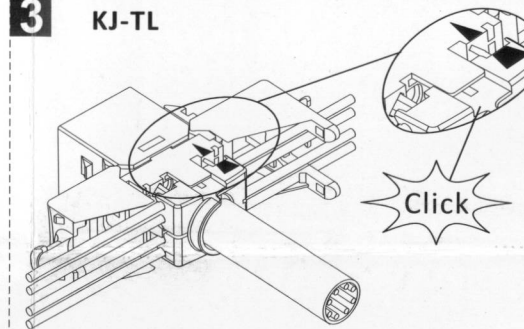
Toolless



Insert the wires through the cap and seat the wires in the correct slots according to T568A or T568B. Trim the wires flush with the cap. It's recommended the tip of wires is not more than 0.2mm.

3

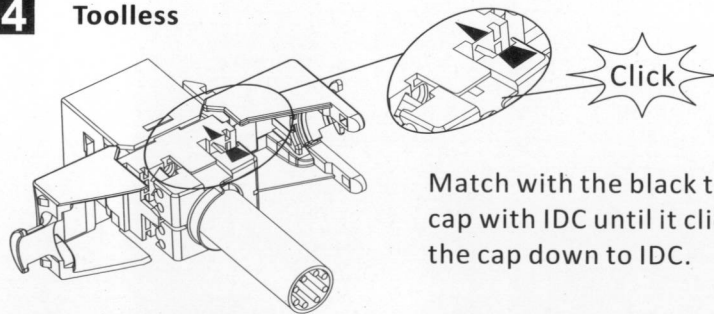
KJ-TL



Insert the wires through the cap and seat the wires in the correct slots according to T568A or T568B. Match with the black triangle and align the cap with IDC until it clicked as shown.

4

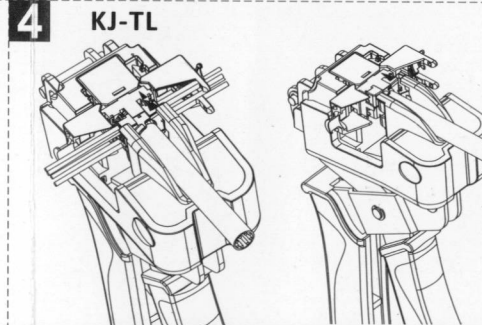
Toolless



Match with the black triangle and align the cap with IDC until it clicked as shown. Press the cap down to IDC.

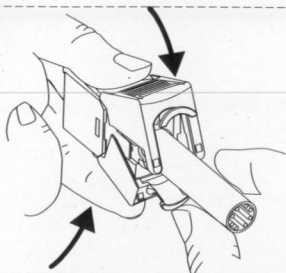
4

KJ-TL



Use KJ-TL series to terminate and cut 4-pairs of wires simultaneously finishing installations.

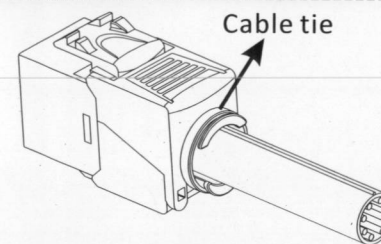
5



Close up the wings toward each other and push down both sides for secure connection.

6

Cable tie



Wrap the drain wire around the shielded holder and tie up the cable.

•The plug used have to comply with FCC Part 68 Subpart F rules and IEC 60603-7.