

Heavy Duty Low Cost Enclosures

Technical Specification

Deltron's entry level Heavy Duty Low Cost enclosure is ideal for robust applications where moisture or dust ingress protection is not critical to the performance of the electronics housed inside.

In line with our IP rated Heavy Duty enclosures these are supplied with DIN rail stand-offs, base plate mounting kits and internal earth points.

We also offer a full enclosure build service.

Full technical specification attached



Call us on:

Tel: +44 (0)1724 273200

Features:

- Supplied complete with lid, captive screws and earth screws
- PCB card guides and stand-offs
- DIN rail mounting points

Typical Applications:

- Industrial Controls
- Security
- Transportation

Standard Sizes Available:

125 x 125 x 80	220 x 120 x 80
125 x 125 x 90	220 x 120 x 90
130 x 80 x 60	260 x 160 x 90
160 x 160 x 90	260 x 160 x 120

Standard Finishes Available:

Plain
Powder Coated
Nylon Coated

DEM Manufacturing

Deltron Emcon House
Hargreaves Way, Sawcliffe Industrial Park
Scunthorpe, North Lincolnshire
DN15 8RF



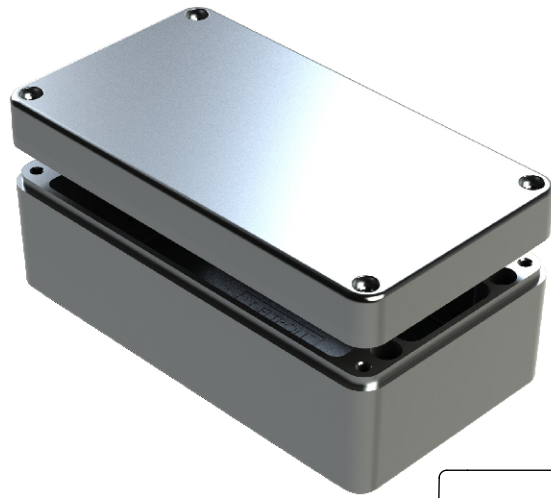
Tel: 44 (0) 1724 273200

Fax: 44 (0) 1724 280353

Email: sales@dem-uk.com

Web: www.dem-uk.com/deltron-enclosures

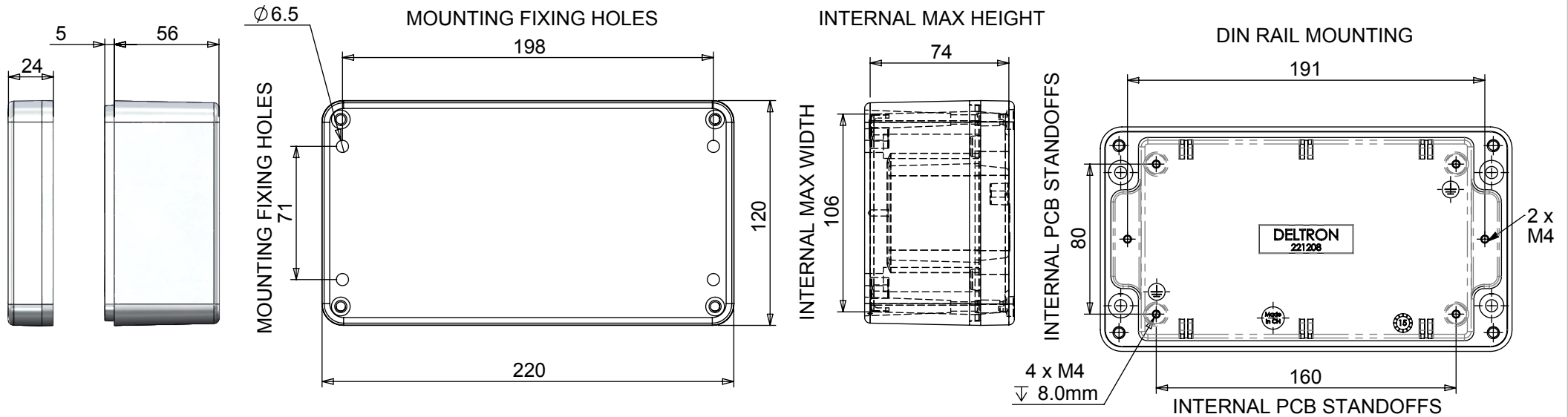
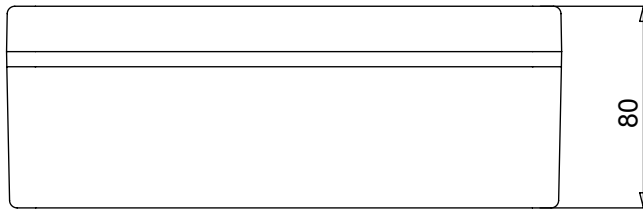
REV 003	1 DATE 24 Apr 2019	ECN NUMBER C04181	2 ECB COMMENT UPDATE BORDER, REMOVE UK AND ADD CHINA, UPDATE TEXT	3	4	5	6	7
------------	--------------------------	----------------------	---	---	---	---	---	---



LENGTH	WIDTH	HEIGHT	UN-PAINTED	POWDER COAT	NYLON COAT
220	120	80	486-221208	487-221208*	488-221208*
Box Dimensions in mm			Colour Options - colour Suffix * -Grey = A / Blue = B / Black = E		

DIE CAST ALUMINIUM ENCLOSURE:

- Min enclosure wall thickness 3mm
- Min enclosure lid thickness 3mm
- PCB maximum dimensions 106mm Length, 1.7mm Width
- Enclosures can be supplied Machined to your specifications
- Made in China.



DELTRON Components
DELTRON Enclosures
ROXBURGH EMC

b'es **DEM**
Alpha3
 manufacturing

+44(0)1724 273200
 www.dem-uk.com

PROPRIETARY AND CONFIDENTIAL:
 THE INFORMATION CONTAINED IN THIS DRAWING IS THE SOLE PROPERTY OF ALPHA 3 MANUFACTURING. ANY REPRODUCTION IN PART OR AS A WHOLE WITHOUT THE WRITTEN PERMISSION OF ALPHA 3 MANUFACTURING IS PROHIBITED.
 DEM Manufacturing is a division of Alpha 3 Manufacturing LTD
 DEM Manufacturing, Deltron Emicon House, Hargreaves Way, Sawcliffe Ind. Park, Scunthorpe, North Lincolnshire, DN15 8RF, UK

UNLESS OTHERWISE SPECIFIED DIMENSIONS ARE IN MILLIMETRES
 LINEAR & RADIAL TOLERANCE:
NO DECIMAL PLACES ±0.5mm
1 DECIMAL PLACE ±0.25mm
2 DECIMAL PLACES ±0.125mm
 ANGULAR TOLERANCE: ±1°

IF IN DOUBT ASK! DO NOT SCALE DRAWING!
 FINISH: SEE NOTES
 MATERIAL: LM24 / LM2
 THE FINISHED PRODUCT SHOULD BE CLEAN AND FREE FROM ALL LIQUIDS AND DEBRIS. SURFACES SHOULD BE OF UNIFORM APPEARANCE FREE FROM SHARP EDGES, BURRS AND CORROSION

AUTHOR: SB
 EDITOR: DT
 APPROVER: A
 THIRD ANGLE PROJECTION

TITLE	HEAVY DUTY ENCLOSURE		
FILE	486-221208		
PART			
SHEET 1 OF 1	ISSUE/REV.	003	VERSION 10
SCALE 1:3	A4	RELEASED	EDIT DATE 24 Apr 2019