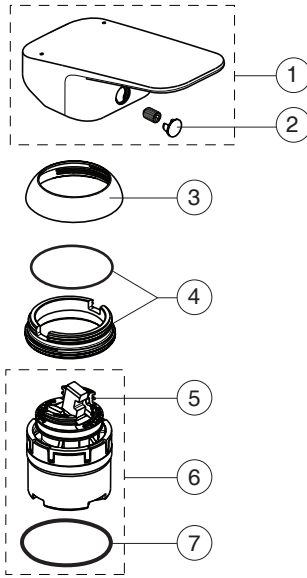
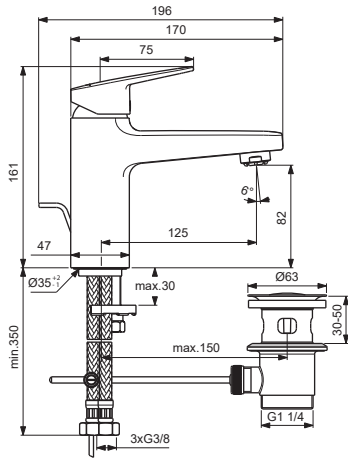




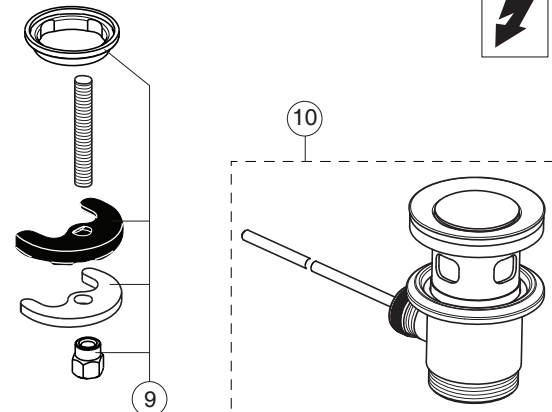
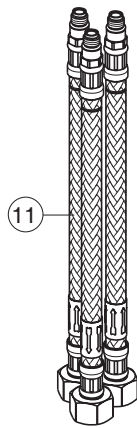
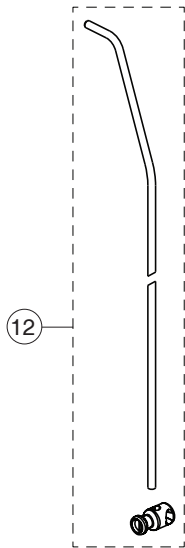
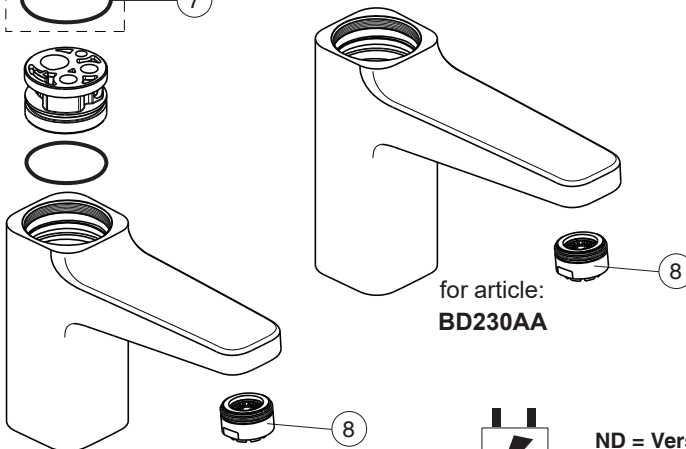
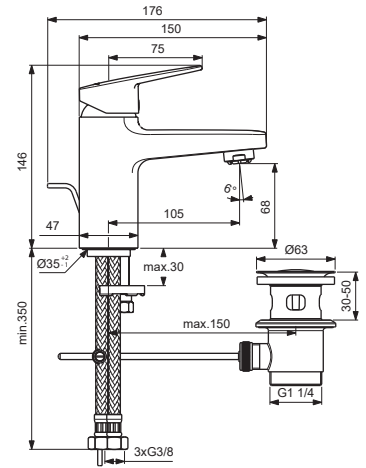
CERAPLAN

Ideal Standard

BD230AA



BD217AA



ND = Version for low pressure

Pos.	Signify	Spare parts-Nr.	Quantity	Pos.	Signify	Spare parts-Nr.	Quantity
1	Lever,w/logo	B961716AA	1 Set				
2	Cap decorative	B960473AA	1 Pcs.				
3	Rosette M38x1.5	B961438AA	1 Pcs.				
4	Screw M41x1.5/M38x1.5	B961374NU	1 Set				
5	Hot limit stop	A861181NU	1 Pcs.				
6	Cartridge Ø38mm	A861156NU*	1 Pcs.				
7	O-Ring Ø38x2.5	E960059NU*	1 Set				
8	Flow liner M24x1,ND	A960935AA	1 Pcs.				
9	Connecting set	A964520NU	1 Set				
10	Pop-up drain ass.	A962991AA	1 Pcs.				
11	Fl.hose G3/8/M8x1 /L500	A962005NU	1 Pcs.				
12	Pull-up rod-compl.	B960900AA	1 Set				