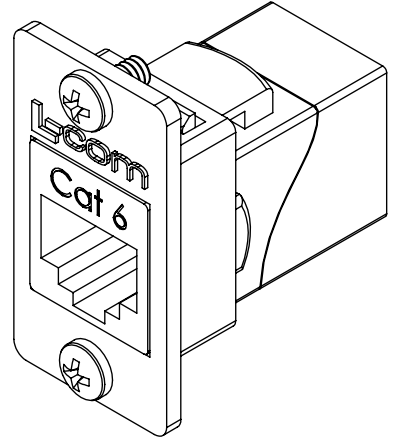
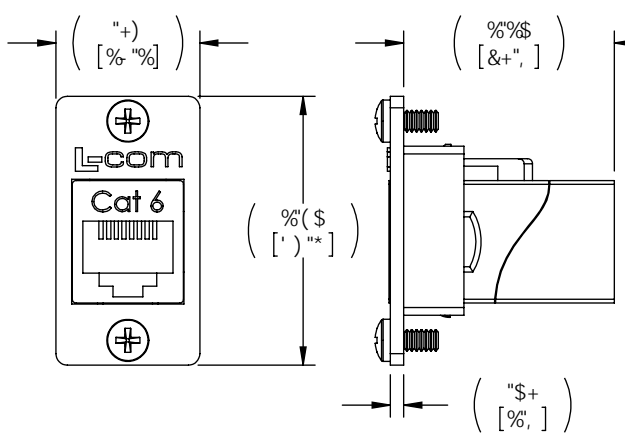
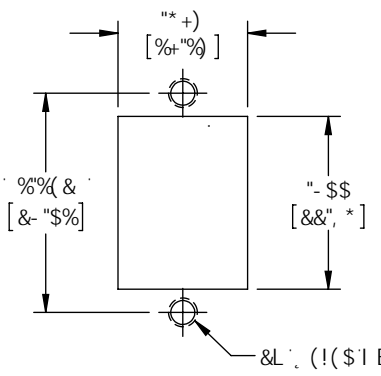


H:9`B: CFA 5HC B 7 C B H 5 B 98 "B" H:G 8F5K B: "G" H:9 GC @
 DFC D9F HMC: @7 C A Z-B7 "5 B M F 9DFC 81 7 HC B -B D5FHC F K <C @
 K H:C 1 H H:9 K F H B B D9FA GGC B C: @7 C A Z-B7 "GDFC <6+98"

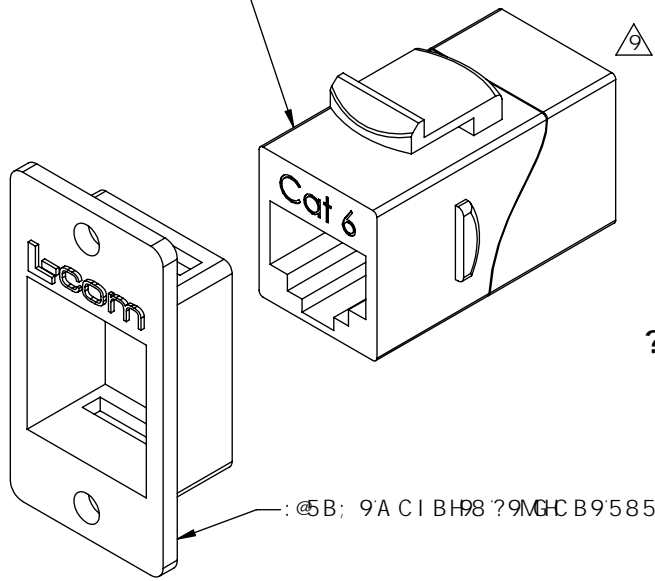
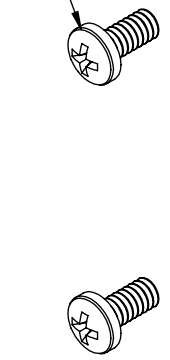
F9J 6C BG			
F9J	89G7 F-DHC B	85H9	5DDFCJ 98
9	97 B *, , % 1 D85H8 8K : : CFA 5HD?: Z5B8 1 D8 D:7 HC:F5 @M	*#%#%	8"89G-5F8-B



F97 C A A 9B898
 D5B9@C D9B-B;

75H* F>() ?9MHC B97 C I D@9F
 f@7 C A D#B: "HB; %\$&* ?7 *L

&L`!(\$! B7!&5
 L`%#(" @C B;



? H G < C K B : I @ M 5 G G 9 A 6 @ 9 8 : C F 7 @ F # M
 F ? H G < @ D 9 8 I B ! 5 G G 9 A 6 @ 9 8 L

? H B 7 @ 8 9 G
 % 7 C I D @ F
 % : @ B : 9 5 8 5 D H C F
 % D 5 7 ? 5 ; 9 A C I B H B ; G 7 F 9 K G f (! (\$! % # (L

BCHG
 A 5HF-5@
 : @B; 98 585DHC F. NB7 5 @C M
 < 5F8K 5F9. G5-B @GGGH9@
 : B-C.
 : @B; 98 585DHC F. B 7 ? 9 @D @5H9"

A 57 9 @ 5 B 9 C I G
 " 7 I F F 9 B H F 5 H B ; . %) 5
 D57?5; -B; .
 ? H G < 5 @ 6 9 B 8 # @ 1 5 @ M D 5 7 ? 5 ; 9 8 B 5 7 7 C F 8 5 B 7 9
 K H @ 7 C A D 5 7 ? 5 ; -B; G D 9 7 = 7 5 H C B D G \$ \$ " %

F9 I @ H C F M 7 C A D @ 5 B 7 9.
 " F C < G 7 9

1 B @ G G C H : 9 F K @ 9 D 9 7 = 9 8 2 8 A 9 B G C B G 5 F 9 B - B 7 < 9 G @ a Q C J 9 F 5 @ 7 5 6 @ 9 @ B ; H : H C @ F 5 B 7 9 . @ @ O S) O I 2 % Q) O # I S 2 % @ O S) O @ 5 O @ (O I 2 & Q % O # I S 2 " S O @ & O % @ S O S (O I 2 (O @ & O # I S 2 % @ S O S (O @ S S O - 8 5 O I 2 - O @ 8 O # I S 2 " S S O - 8 5 O I 2) 1 # I S	5DDFCJ 5@G	85H9		() 6997 < K C C 8 8 F # 9 B C F H : 5 B 8 C J 9 F Z A 5 % ()
5 @ C H : 9 F 8 A 9 B G C B 5 @ H C @ F 5 B 7 9 G L 1 - " & O " S O L L 1 - " & O) 9 D L L L 1 - " & S) O % Q	7CB: = 1 F5HC B 8 9 H 5 @GC: 1 B 8 A 9 B G C B 9 8 : 9 5 H F 9 G A 5 M J 5 F M	75H9 CFM		H 9 @ 7 C A # A C 8 I @ 5 F
D F C > 9 7 H C B	7 C @ C F J 5 F 5 H C B G A 5 M C 7 7 I F	G 9 9 5	: G 7 A B C * (' & %	8 K : " B C " 9 7 :) \$ (! 7 * 9
		G 7 5 @ 9 . B C B 9	7 5 8 : @ 9 : " 9 7 :) \$ (! 7 * G 8 8 F K	G < 9 9 H % C : %

8

7

6

5

8

7

6

5