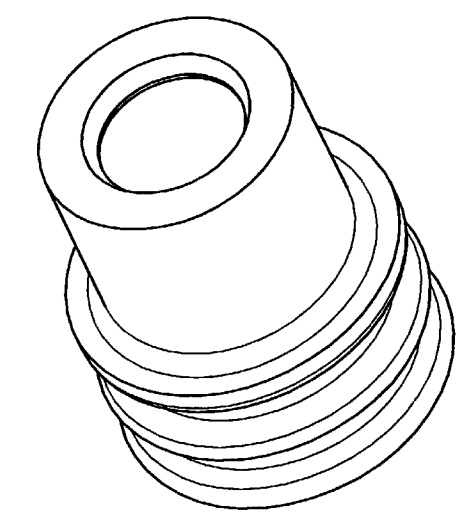
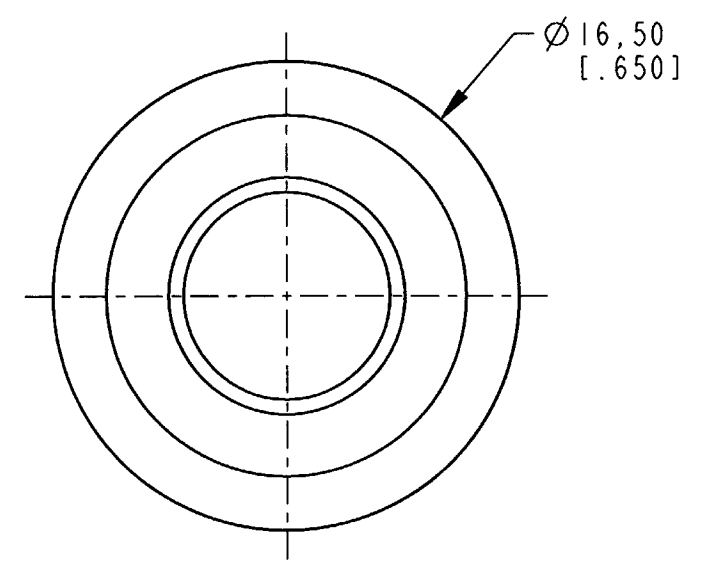
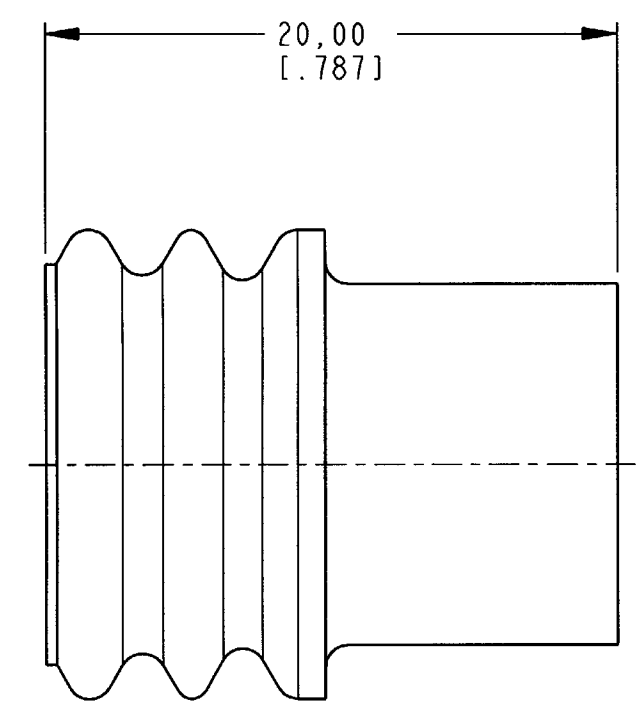


REV NC	<b>SRK-WS-25-001</b>	REVISIONS			
		SYM	DESCRIPTION	DATE	APPROVED
		NC	NEW RELEASE PER E.O. P20282	7-31-09	ADR



**3D VIEW**

<b>GROMMET WIRE SEALING RANGE</b>
INSULATION RANGE
7.20-10.00 [.283-.394]

- 5. FOR ASSEMBLY AND CRIMP INFORMATION, SEE DRAWING 8925-003-0000.
- 4. MATERIAL: SILICONE (RED).
- 3. PART FITS INTO RECEPTACLE SRK02-SM\*-01A-001 AND PLUG SRK06-SM\*-01A-001 WHERE \* = KEYING ARRANGEMENT.
- 2. DIMENSIONS ARE ±.64 [0.025].
- 1. DIMENSIONS ARE IN MILLIMETERS [INCHES].

NOTES: UNLESS OTHERWISE SPECIFIED

	SIGNATURE & DATE
DR	P. CARNAHAN 7/31/09
CHK	D. Meyer 7/31/09
PE	P. Carls 7/31/09
APPD	R. Reed 7-31-09
SCALE	NONE
WT	

GROMMET  
Ø8MM CONTACT  
  
SRK SERIES  
  
ENVELOPE

EP 200	MATL. CODE
3850 INDUSTRIAL AVE. HEMET, CA 92545	
<b>B</b>	<b>SRK-WS-25-001</b>
DWG SIZE	CODE 11139 SHEET   OF