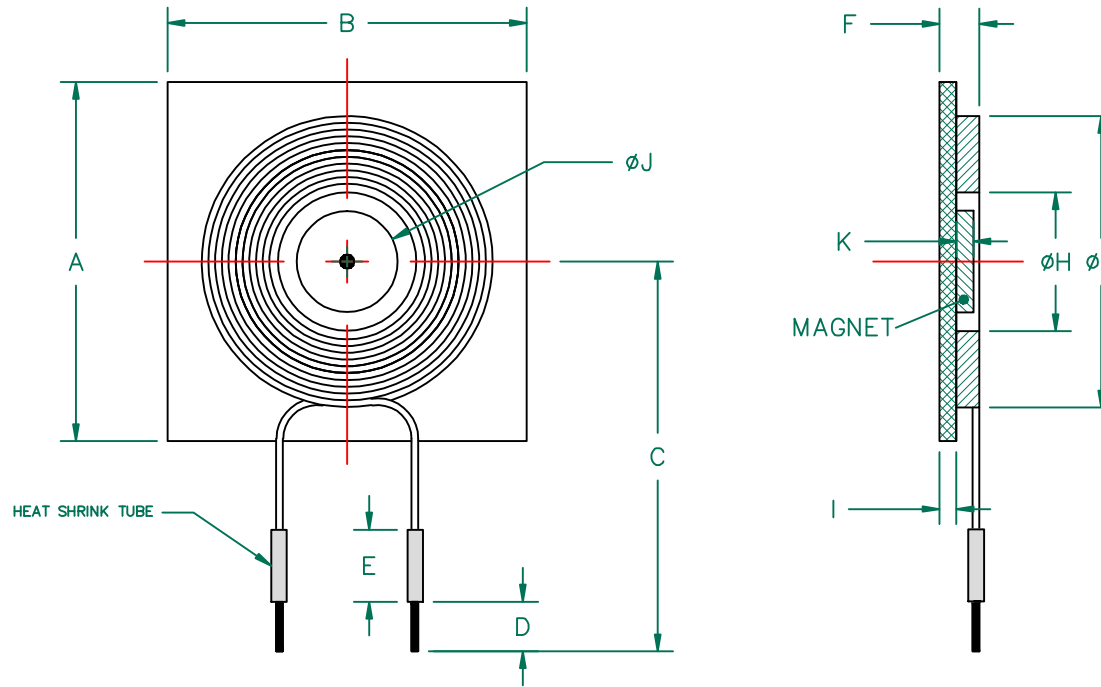


PHYSICAL DIMENSIONS:

A	53.00	±	0.50
B	53.00	±	0.50
C	57.50		TYP.
D	10.00	±	2.00
E	10.00		TYP.
F	6.70		MAX.
G	43.00	±	1.00
H	20.50	±	1.00
I	2.50	±	0.40
J	15.00	±	0.50
K	2.50	±	0.50

RWC5353EJ240-500



NOTES: UNLESS OTHERWISE SPECIFIED

1. OPERATING TEMPERATURE RANGE: -40°C TO +125°C (INCLUDING SELF-HEATING) .
2. STORAGE TEMPERATURE RANGE (PACKAGING CONDITIONS): -10°C TO +40°C AND RH 70% (MAX.)
3. UNLESS OTHERWISE SPECIFIED, THE STANDARD ATMOSPHERIC CONDITIONS FOR MEASUREMENT/TEST AS:
 - A. AMBIENT TEMPERATURE: 20±15°C.
 - B. RELATIVE HUMIDITY: 65%±20%.
4. DEFINITION OF SATURATION CURRENT (ISAT): DC CURRENT AT WHICH THE INDUCTANCE DROPS ≤10% FROM ITS VALUE WITHOUT CURRENT.
5. DEFINITION OF TEMPERATURE RISE CURRENT (IRMS): DC CURRENT THAT CAUSES THE TEMPERATURE RISE (ΔT ≤40°C) FROM 20°C AMBIENT.

ELECTRICAL SPECIFICATION @ 25°C

	Min	Nom	Max
INDUCTANCE (uH) L @ 100KHz/1V ±10%	21.6	24.0	26.4
DCR (mΩ)			75
Q @ 100KHz/1V	90		
I _{rms} (A)	5.5		
I _{sat} (A)	10.0		

DIMENSIONS ARE IN mm.				This print is the property of Laird Tech. and is loaned in confidence subject to return upon request and with the understanding that no copies shall be made without the written consent of Laird Tech. All rights to design or invention are reserved.		Laird TECHNOLOGIES	
REV	DESCRIPTION	DATE	INT	PROJECT/PART NUMBER	REV	PART TYPE	DRAWN BY:
C	CORRECT INDUCTANCE UNIT	01/09/13	QIU	RWC5353EJ240-500	C		QIU
B	ADD CURRENT RATING Q SPEC	11/01/12	QIU	DATE: 06/21/12	SCALE: NTS		SHEET:
A	ORIGINAL DRAFT	06/21/12	QIU	CAD #	TOOL # -		1 of 1
REV	DESCRIPTION	DATE	INT	RWC5353EJ240-500-C			