

Metalized Plastic Hoods

DTPK-M+High Density D-Sub Solder Cup

TECHNICAL SPECIFICATIONS

D-Sub Hood:

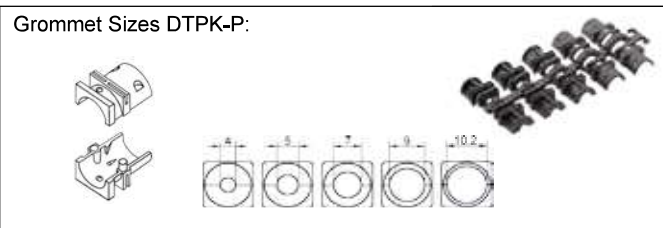
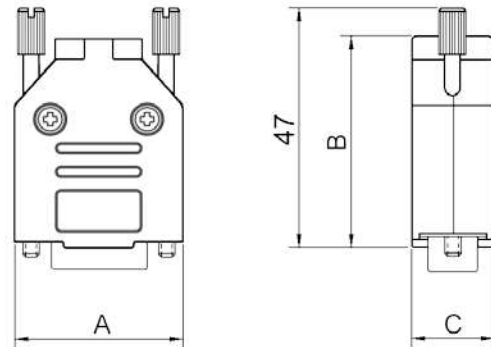
Material: UL 94 V-0 Plastic Material
 Plating: Nickel over Copper
 Operating Temperature: -55°C to +110°C
 Cable Entry: Top Entry
 Thumbscrews: UNC 4-40 (Standard)
 Cable O.D: Up to 11,5mm

High Density D-Sub Solder Cup:

Insulator: Glass filled TP, UL94 V-0
 Shell: Steel, Tin Plated
 Contact pins: Copper Alloy
 Gold Flash over Ni.
 Stamped & Formed Pins: Class 3, 100 inserts min.
 Contact Plating: Gold flash over Nickel
 Operating Temperature: -55°C to +85°C
 Withstanding voltage: >1000V Rms to 50 Hz for 1 minute
 Current Rating: 3A
 Insulator resistance: >5000MΩ min.

Features:

- Available in sizes HD 15-26-44-62
- 360° EMI Shielding
- Re-openable



| Size DTPK-M | Dim A | Dim B | Dim C |
|-------------|-------|-------|-------|
| 9-way | 31,2 | 39,9 | 15,0 |
| 15-way | 39,5 | 41,5 | 15,0 |
| 25-way | 53,4 | 48,6 | 15,0 |
| 37-way | 69,7 | 53,6 | 15,0 |

Ordering information:

High Density D-Sub Connector Kits

| Size: | P/N - Kitted: | Description: |
|-------|-------------------------|---------------------|
| HD 15 | L17DTPK-M-09+L717HDE15P | Solder Cup, 15-Male |
| HD 26 | L17DTPK-M-15+L717HDA26P | Solder Cup, 26-Male |
| HD 44 | L17DTPK-M-25+L717HDB44P | Solder Cup, 44-Male |
| HD 62 | L17DTPK-M-37+L717HDC62P | Solder Cup, 62-Male |

| Size: | P/N - Kitted: | Description: |
|-------|------------------------|-----------------------|
| HD 15 | L17DTPK-M-09+L77HDE15S | Solder Cup, 15-Female |
| HD 26 | L17DTPK-M-15+L77HDA26S | Solder Cup, 26-Female |
| HD 44 | L17DTPK-M-25+L77HDB44S | Solder Cup, 44-Female |
| HD 62 | L17DTPK-M-37+L77HDC62S | Solder Cup, 62-Female |