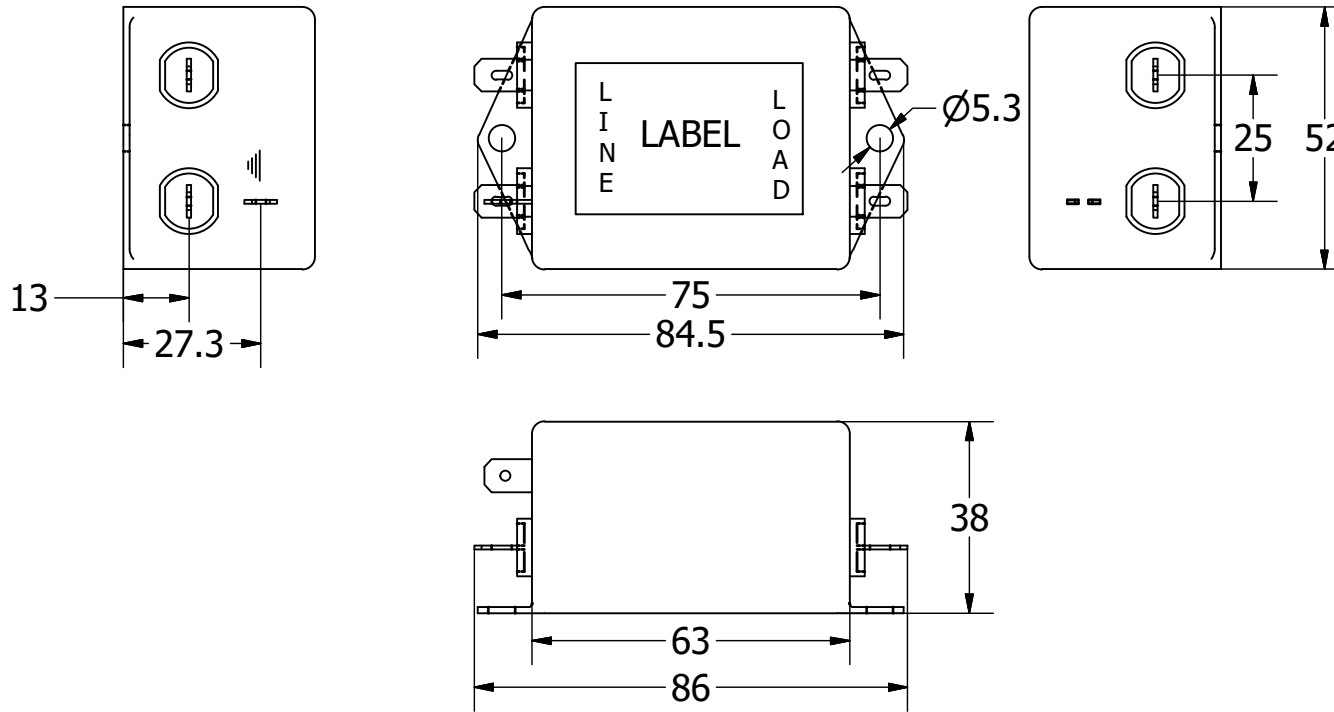


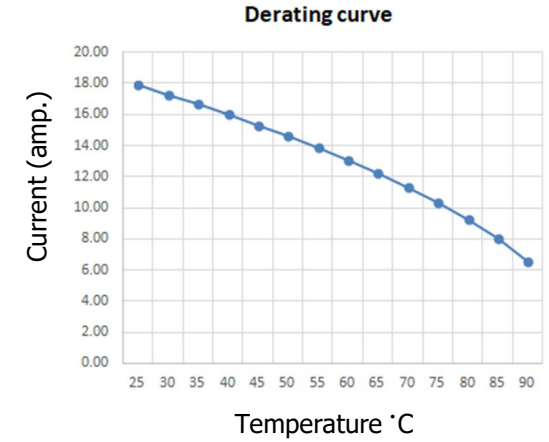
This DWG. is an sole property of ARROW POWER COMPONENTS PVT. LTD. unauthorised use of this DWG. or making product as per DWG. without our permission or any misuse is not permitted.

### Mechanical Details



### NOTES: UNLESS OTHERWISE SPECIFIED

1	TOLERANCE TO BE ± 1.0mm.
2	ALL DIMENSIONS ARE IN MM
3	



### PRODUCT LABEL

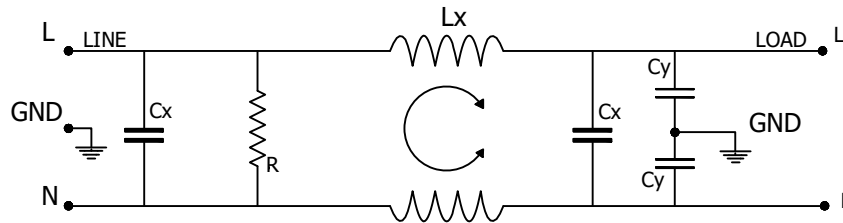
**EMC EMV FILTER**

L	EN2030-16-F	L
I	120/250 VAC, 50/60 Hz	O
N	16A@40°C	A
E	25/100/21	D

### SPECIFICATION

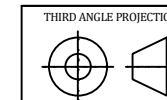
- 1) RATED VOLTAGE (MAX):  
16 AMP, 120/250 VAC 50-60HZ;
  - 2) Hi-pot RATING (ONE MINUTE):  
LINE TO GROUND: 3000 VDC  
LINE TO LINE : 1100 VDC
  - 3) MAXIMUM LEAKAGE LINE TO GROUND:  
0.90mA @120 VAC 60 Hz;  
1.57mA @250 VAC 50 Hz;
  - 4) CLIMATE CLASS: 25/100/21
- TEMPRATURE RANGE: -25°C to +100°C  
OVERLOAD CURRENT: 1.5x Rated ct. for 1 min.

### Electrical Schematic



### 50 ohm - 50 ohm Typical Insertion Loss

FREQUENCY MHZ	0.01	0.1	0.5	1.0	2.0	5.0	10
COMMON DB	16	37	63	65	66	78	60
DIFFERENTIAL DB	20	48	101	86	78	76	53



A	ISSUE	ECN	SUJIT	AJAY	AUG.2019
REV.	DESCRIPTION		DWN	APVD.	APVD. DATE
<b>ARROW POWER COMPONENTS PVT. LTD.</b> A-40, Wazirpur Industrial Area New Delhi, 110052 Email:- <a href="mailto:aj@emcemv.com">aj@emcemv.com</a>					
DRAWN BY	VERIFIED BY	APPROVED BY	CHECKED DATE		
SUJIT	RISHABH	AJAY	09-AUG-2019		
DESC. SINGLE PHASE SINGLE STAGE FILTER					PAGE 1 Of 1
SERIES	PART NO.				
EN2030	EN2030-16-F				