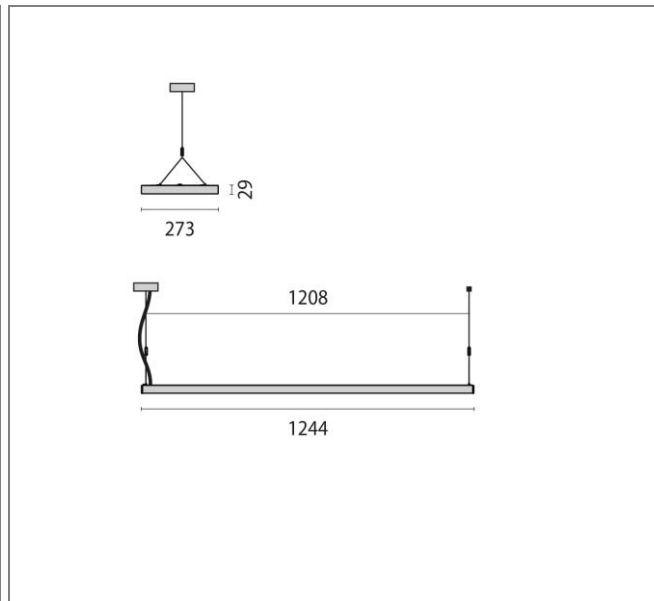


ART.: 8629261283410

SL629 PL PRISM



Art.: 8629261283410, SL629 PL, Prismenstruktur, 26W, 4000K, Driver static, 1244mm, Symmetrical - direct, White, LED suspended luminaire for interior, comprising: Housing made of steel sheet, die-cast aluminium end caps, powder painted / Prismatic cover for efficient light diffusion, glare reduction and a high level of uniformity / Direct light distribution / LED Sidelight-Technology for a homogenous light distribution over the entire area of the cover / Colour rendering index Ra > 80 / Colour tolerance according to MacAdam = 3 SDCM / Light engine can be replaced by means of a slide-in mechanism / Complete with steel suspension cable (1.5 m), transparent power cord and ceiling rose / VDU application suitable acc. to EN 12464-1 (see table) / Special colour versions available upon request

| | |
|-------------------------------|-------------|
| Connected load | 26 W |
| Luminous flux | 3140 lm |
| Efficiency | 121 lm/W |
| Colour temperature | 4000K |
| Colour rendering (CRI) | 80 |
| IP class | 20 |
| Nominal voltage | 220 – 240 V |
| Colour | WH-RAL9016 |
| UGR | 16,3 |
| Glare control | ✓ |

