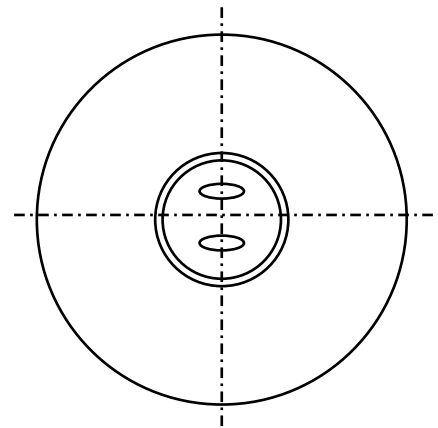
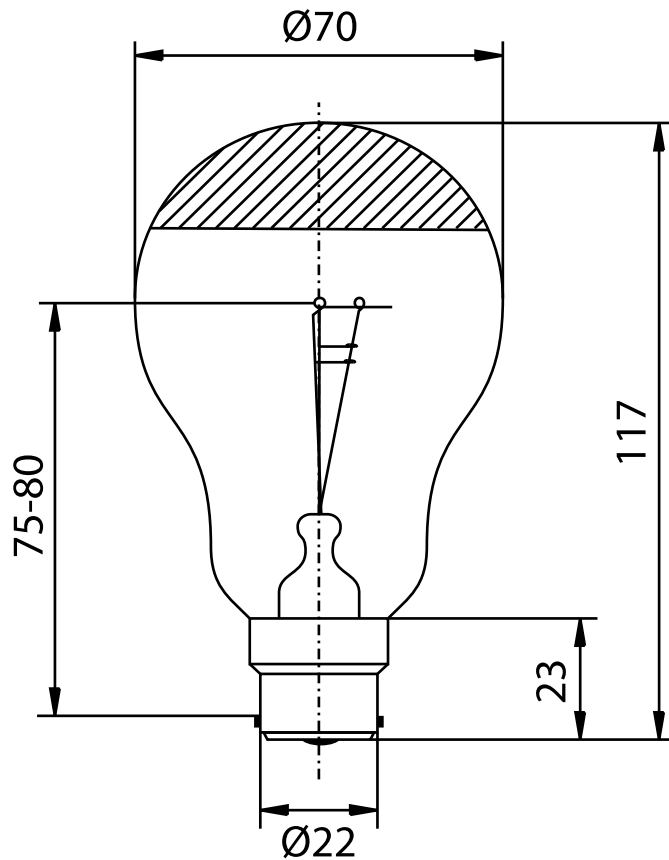


INDUSTRIAL SPECIALTY LIGHTING

Industrial medical - Datasheet



MEDICAL LAMPS - 24V 50 / 50W BA22D

PRODUCT NUMBER 302936033

[]

Tol.

VOLTAGE	24	V
WATTAGE	50 / 50	W
LUMEN OUTPUT	1400	LM
LUMEN PRO WATT	14	LM/W
AVERAGE LIFE	300	H
BASE	BA22D	/
REMARKS	88-914-02	
BRAND	DR. FISCHER	

FOR INFORMATIONAL PURPOSES ONLY. SIL INT. BV. DISCLAIMS ALL WARRANTIES WITHOUT LIMITATION. INFORMATION MIGHT BE SUBJECT TO CHANGE.



MEDICAL



ENTERTAINMENT



TRAFFIC



MARINE



RAILWAY



AIRFIELD



VARIOUS



TAILOR MADE



IR / UV



PROJECTION



Special industrial Lighting
Ruysdaelbaan 3F
5642 JJ Eindhoven
The Netherlands

Tel : + 31 40 2868 913
Fax : + 31 40 2868 207
Website: www.sillamps.com
Email : silint@special.nl