



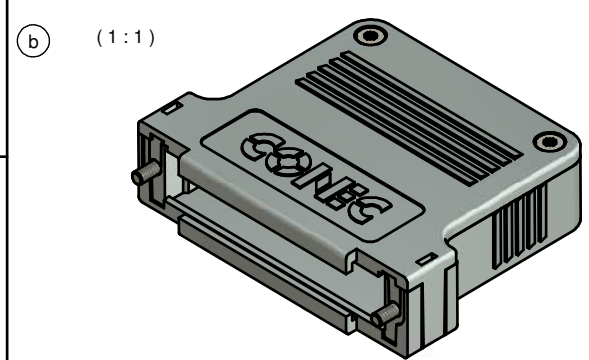
 CABLE STRAIN RELIEF (1x)	 LENS HEAD SCREW (2x)
 SHORT SCREW (2x)	 PRESS INSERT (1x)

 COVER SCREW (2x)
---




NOTES:

- HOOD + COVER: ABS UL 94 V-0; METALLIZED
- CABLE STRAIN RELIEF: STEEL; NICKEL PLATED
- PRESS INSERT: ABS UL 94 V-0; METALLIZED
- SHORT SCREWS: STEEL; NICKEL PLATED
- COVER SCREWS: STEEL; NICKEL PLATED
- LENS HEAD SCREWS: STEEL; NICKEL PLATED

TECHNICAL DATA:

- TEMPERATURE RANGE: -33°C to + 90°C

THIS DRAWING MAY NOT BE COPIED OR REPRODUCED IN ANY WAY, AND MAY NOT BE PASSED ON TO A THIRD PARTY WITHOUT WRITTEN PERMISSION. OWNERSHIP AND COPYRIGHT OF CONEC GmbH DO NOT ALTER CAD DRAWING BY HAND	tolerance		 dim. in mm		scale: 2:1	
					material: SEE NOTES	
			date		name	
			drawn 03.09.14		Unkrüer	
			appd. 03.09.14		Lehmenkühler	
			norm			
		d-old		16K2A171A		
3 x b		Ä 5304	03.09.2014	Unkrüer	title: PLASTIC HOOD 37pos. with straight cable exit	
a		Original			dwg no: (b) 16K1A3496	
rev.		description	date	name	part no: 165X13499X	
				<b>CONEC</b> ®		DIN-A3 sh: 1

Directive 2002/95/EC RoHS compliant