



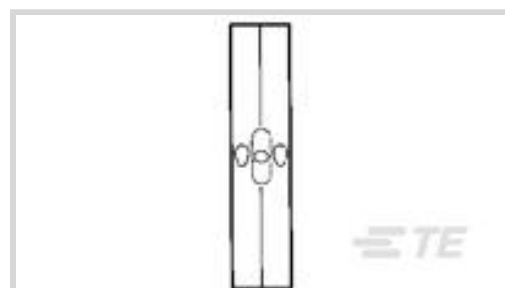
SOLISTRAND

TE Internal #: 2-324309-2

Splices, Splice, Splice, 6AWG Wire Size, 13 – 15mm<sup>2</sup> Wire Size, Sight Hole, Barrel Inside Diameter .232 in [5.89 mm], 20800 – 33100CMA Wire Size

[View on TE.com >](#)

Terminals & Splices > Splices



Splice Product Type: **Splice**

Terminal & Splice Type: **Splice**

Wire Size: **13 – 15 mm<sup>2</sup>**

Sealable: **No**

**Features**

**Product Type Features**

Splice Product Type	Splice
Sealable	No
Splice Type	Butt Splice
Serrated	No
Splice Accessory Type	Splice
Splice Barrel Type	Closed Barrel
Splice Wire/Cable Type	Copper
Insulated	No
Support Style	Non - Insulation Support

**Body Features**

Weight per Piece	8.499 g
Plating Material	Silver
Splice Features	Sight Hole
Splice Material	Copper

**Contact Features**

	500 μin
Contact Plating Material	Silver
Terminal & Splice Type	Splice

**Mechanical Attachment**



Wire Insulation Support	Without
-------------------------	---------

### Dimensions

Outside Diameter	9.37 mm[.369 in]
------------------	------------------

Wire Size	20800 – 33100 CMA
-----------	-------------------

Barrel Inside Diameter	5.89 mm[.232 in]
------------------------	------------------

Splice Material Thickness	1.45 mm[.057 in]
---------------------------	------------------

Splice Overall Length	25.78 mm[1.015 in]
-----------------------	--------------------

### Usage Conditions

Insulation Requirement	Uninsulated
------------------------	-------------

High Temperature Rating	170 °C[338 °F]
-------------------------	----------------

Operating Temperature Range	170 °C[338 °F]
-----------------------------	----------------

### Operation/Application

Heavy Duty	No
------------	----

### Industry Standards

Government Qualified Splice	No
-----------------------------	----

### Packaging Features

Packaging Quantity	100
--------------------	-----

Splice Packaging Method	Loose Piece
-------------------------	-------------

### Other

Military Category	No
-------------------	----

### Product Compliance

[For compliance documentation, visit the product page on TE.com>](#)

EU RoHS Directive 2011/65/EU	Compliant
------------------------------	-----------

EU ELV Directive 2000/53/EC	Compliant
-----------------------------	-----------

China RoHS 2 Directive MIIT Order No 32, 2016	No Restricted Materials Above Threshold
---	---

EU REACH Regulation (EC) No. 1907/2006	Current ECHA Candidate List: JAN 2021 (211) Candidate List Declared Against: JAN 2021 (211) Does not contain REACH SVHC
--	---

Halogen Content	Low Halogen - Br, Cl, F, I < 900 ppm per homogenous material. Also BFR/CFR/PVC Free
-----------------	---

Solder Process Capability

Not applicable for solder process capability

Product Compliance Disclaimer

This information is provided based on reasonable inquiry of our suppliers and represents our current actual knowledge based on the information they provided. This information is subject to change. The part numbers that TE has identified as EU RoHS compliant have a maximum concentration of 0.1% by weight in homogenous materials for lead, hexavalent chromium, mercury, PBB, PBDE, DBP, BBP, DEHP, DIBP, and 0.01% for cadmium, or qualify for an exemption to these limits as defined in the Annexes of Directive 2011/65/EU (RoHS2). Finished electrical and electronic equipment products will be CE marked as required by Directive 2011/65/EU. Components may not be CE marked. Additionally, the part numbers that TE has identified as EU ELV compliant have a maximum concentration of 0.1% by weight in homogenous materials for lead, hexavalent chromium, and mercury, and 0.01% for cadmium, or qualify for an exemption to these limits as defined in the Annexes of Directive 2000/53/EC (ELV). Regarding the REACH Regulation, the information TE provides on SVHC in articles for this part number is based on the latest European Chemicals Agency (ECHA) 'Guidance on requirements for substances in articles' posted at this URL: <https://echa.europa.eu/guidance-documents/guidance-on-reach>

## Compatible Parts



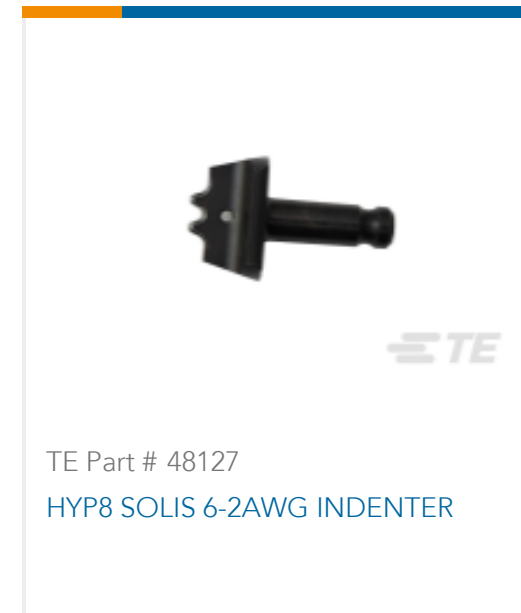
TE Part # 1490414-2  
 HYP10 SOLIS HD 6-4AWG INDENTER



TE Part # 601075  
 BANTAM ROTA-CRIMP TOOL



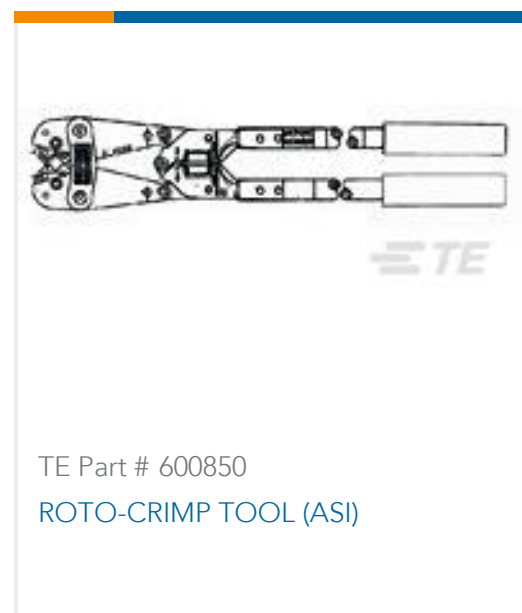
TE Part # 69217  
 HYP8/10 SOLIS 6AWG DIE SET



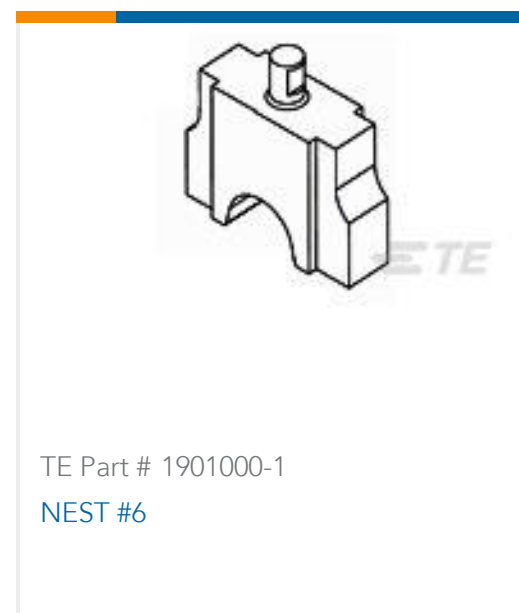
TE Part # 48127  
 HYP8 SOLIS 6-2AWG INDENTER



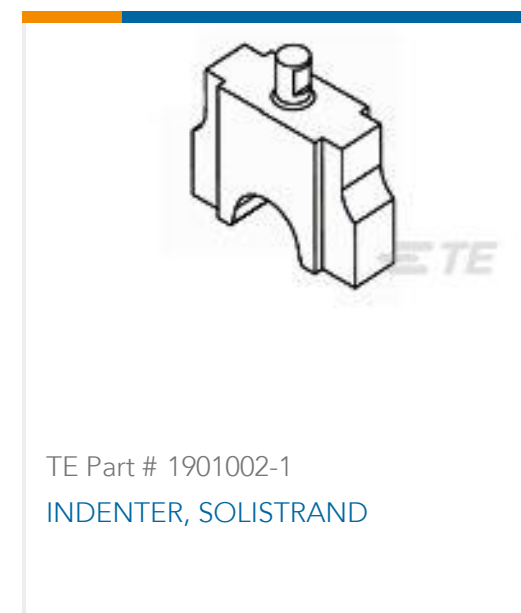
TE Part # 1490413-2  
 HYP10 SOLIS HD 8AWG NEST



TE Part # 600850  
 ROTO-CRIMP TOOL (ASI)



TE Part # 1901000-1  
 NEST #6



TE Part # 1901002-1  
 INDENTER, SOLISTRAND

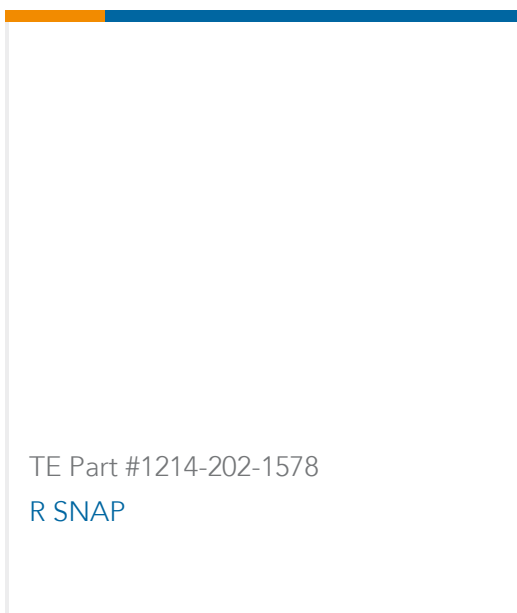
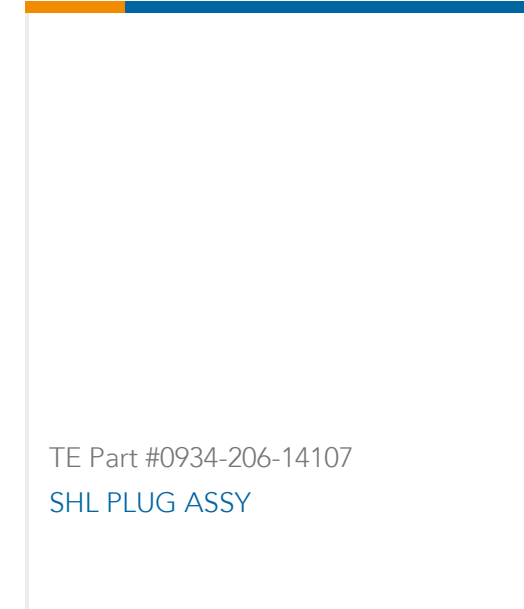
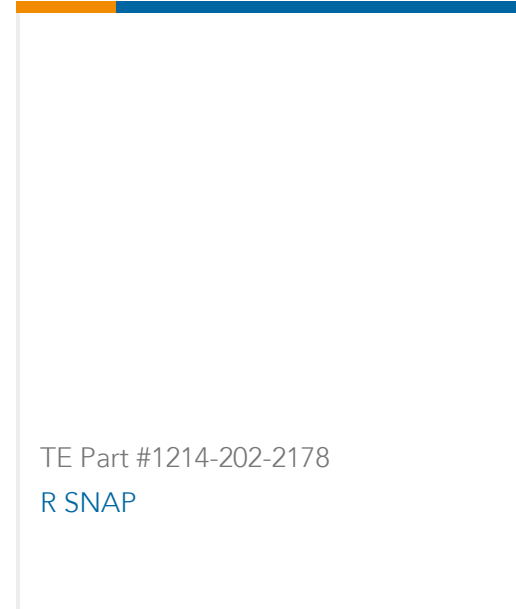
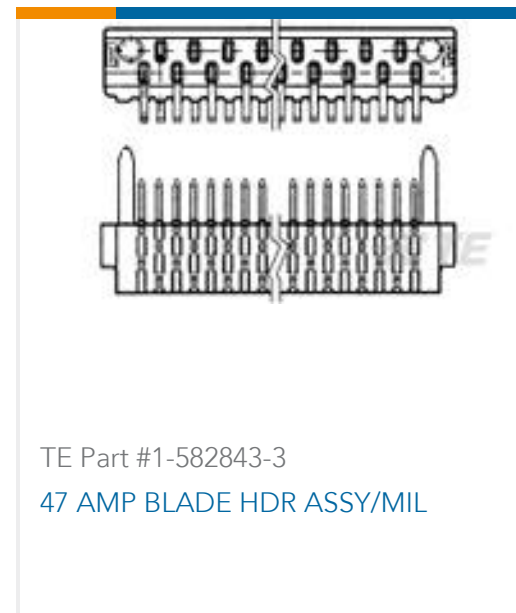
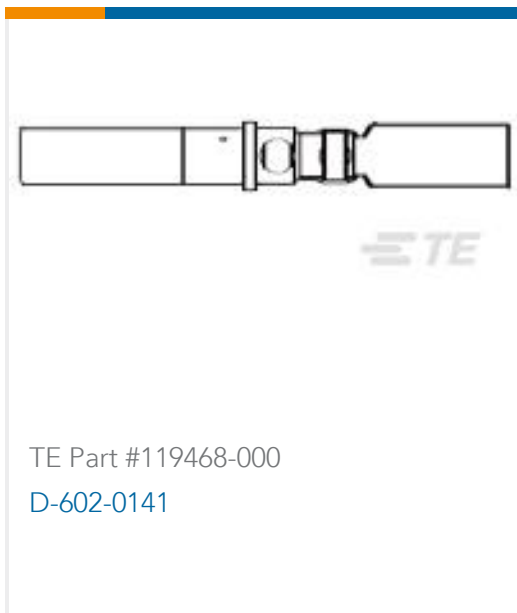


TE Part # 48128  
 HYP8 SOLIS 6AWG NEST



TE Part # 68136  
 PNEU HT SOLIS 6 ASSY

## Customers Also Bought



## Documents

### Product Drawings

[SPLICE,SOLIS BUTT 6](#)

English

### CAD Files

[3D PDF](#)

3D

Customer View Model

[ENG\\_CVM\\_CVM\\_2-324309-2\\_S.2d\\_dxf.zip](#)

English

Customer View Model

[ENG\\_CVM\\_CVM\\_2-324309-2\\_S.3d\\_igs.zip](#)

English

Customer View Model

[ENG\\_CVM\\_CVM\\_2-324309-2\\_S.3d\\_stp.zip](#)

English

By downloading the CAD file I accept and agree to the [Terms and Conditions](#) of use.

### Agency Approvals



[UL Report](#)

English