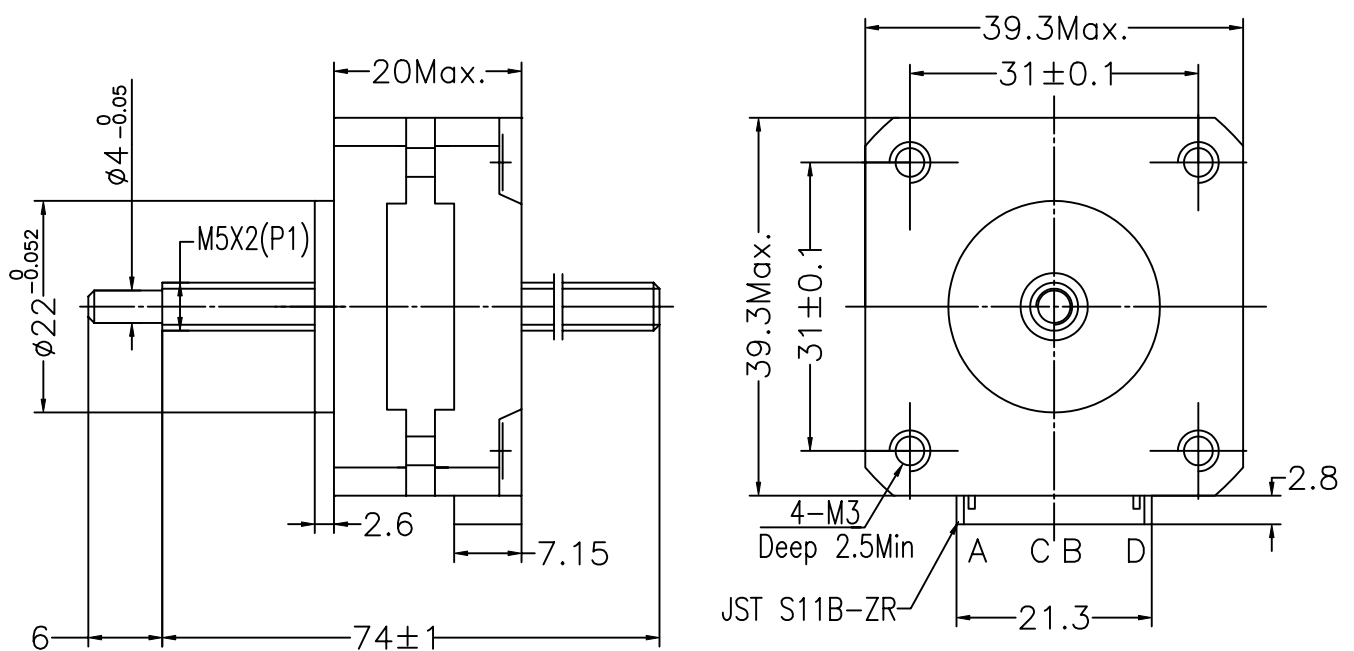


LINEAR ACTUATOR TYPE 16HY7001-11

General specifications		Electrical specifications		Wiring Diagram
Step distance	0.01mm	Rated voltage	12 V	
Number of phase	2	Rated current	0.48 A	
Insulation resistance	100Mohm Min.(500V DC)	Resistance per phase	25±10% ohm	
Insulation class	Class B	Inductance per phase	26±20% mH	
Rotor inertia	11 g·cm ²	Holding torque	1.0 kg·cm	
Weight	0.12 kg	Detent torque	50 g·cm	

Dimensions unit=mm



comment:

A					STANDARD
					APPROVE
REV.	NO.	MAK.	QTY.	CR.NO.	DESIGN