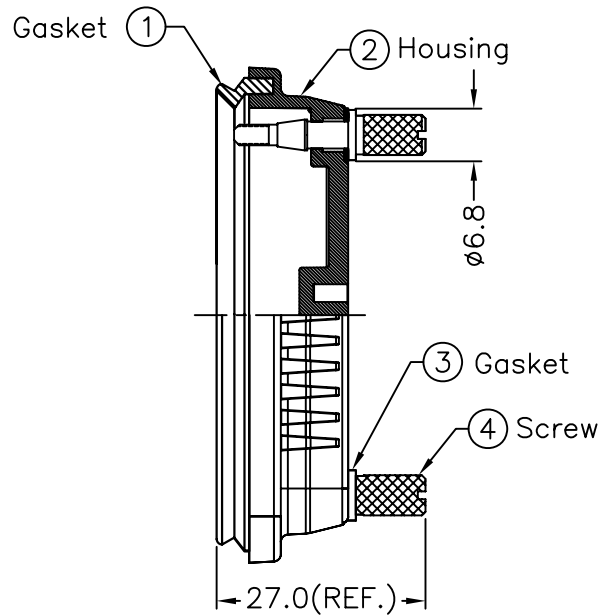
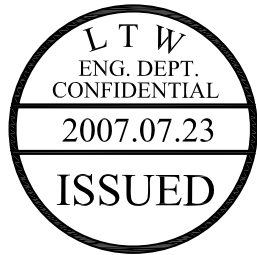
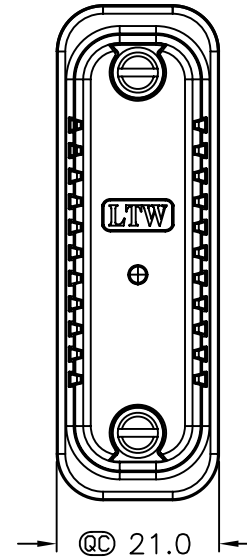
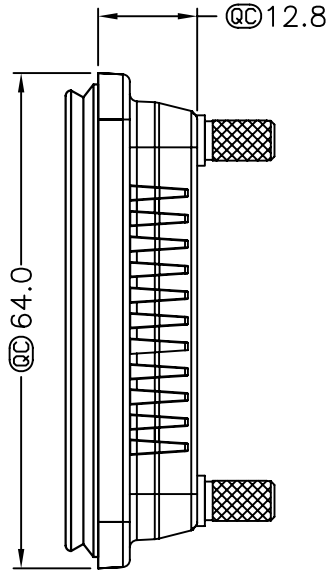
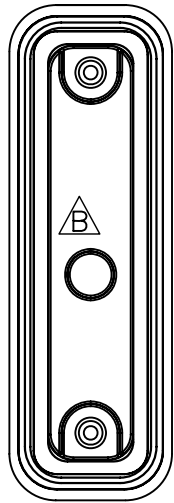


| | | | |
|--------|--------------------|-----------------|---|
| 5 | 6 | 7 | 8 |
| REV. B | ECN NO. LEN-770346 | DATE 2007/07/12 | SIGN Robert Hsu DESCRIPTION Drawing Modify |



- Note:
- * @C Important Dimensions To Check.
 - * Waterproof Rate: IP67
 - * Housing: Black, ABS
 - * Gasket: Black, EPDM
 - * Screw: Steel, Nickel Plated

| | |
|-----------|--------------|
| UNIT:mm | |
| TOLERANCE | ± 0.5 mm |

| | |
|---|--------------|
| TITLE D-Sub Conn Screw Combo Waterproof Cap | |
| SCALE Free | SHEET 1 OF 1 |
| REV. B | SIZE A4 |
| @C : Inspection Item | |

LTW
亮泰企業股份有限公司

| | |
|----------------------------|------------------------|
| ITEM NO LTWCAP-WD3PCSA1 | DRAWN BY Robert Hsu |
| DWG NO LTWCAP-WD3PCSA1 | CHECKED BY Jill |
| CUSTOMER | APPROVED BY Lion-Yu |

| |
|--------------------|
| DATE 2007/07/12 |
| DATE 2007/07/12 |
| DATE 2007/07/12 |

THIS DOCUMENT IS SUBJECT TO CHANGE WITHOUT NOTICE. IT IS CONFIDENTIAL AND A PROPERTY OF LTW. DISCLOSURE TO THIRD PARTY HAS TO BE AUTHORIZED BY LTW.

A B C D E F

1 2 3 4 5 6 7 8