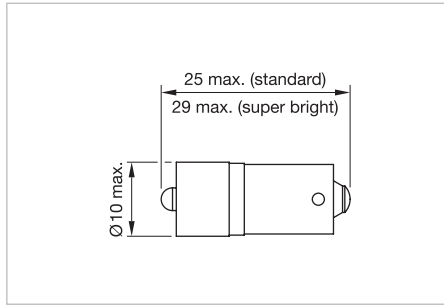


10 Illumination

(Sd=BR10_AGAU_Single-LED_BA9s)
LED BA9s




Product can differ from the current configuration.

Dimensions [mm]

Additional Information

- A suitable LED remover Part No. 700.006.0 (Series 44 Part No. 44-935)
- Luminous intensity data of the LEDs on direct voltage
- Electrical and optical data are measured at 25 °C
- The specified 6 VDC, 24 VDC Bi-colour; 130 VAC, 130 DC und 230 VAC versions are built with a protection diode
- The specified 12, 24, 28, 48 VAC/DC versions are built with a bridge rectifier
- If the 24VDC Bi-colour lamp is driven with normal polarity (plus on middle contact of the lamp) the first mentioned colour will light up, with inverted polarity the second colour will light up
- The specified 130 VAC types are developed to run on a supply voltage of 130 VAC only. An operation at a higher supply voltage using commercial lampholders with integrated resistors, is not approved
- Luminosity and wave length variations caused by LED manufacturing processes may cause slight differences regarding the illumination

LED colour	Operating voltage	Operation current	Lumi. intensity	Dom. wavelength	Part No.	Weight
 <p>Single-LED</p>						
Single-LED red	6 VDC +10 %	17 mA ±15 %	400 mcd	630 nm	10-2506.1082	0.002 kg
	12 VAC/DC +10 %	16 mA ±15 %	390 mcd	630 nm	10-2509.1142	0.002 kg
	24 VAC/DC +10 %	15 mA ±15 %	350 mcd	630 nm	10-2512.1142	0.002 kg
	28 VAC/DC +10 %	13 mA ±15 %	300 mcd	630 nm	10-2513.1142	0.002 kg
	48 VAC/DC +10 %	8 mA ±15 %	200 mcd	630 nm	10-2519.1052	0.002 kg
	130 VDC +10 %	3 mA ±15 %	120 mcd	630 nm	10-2524.3042	0.002 kg
	130 VAC +10 %	5 mA ±15 %	180 mcd	630 nm	10-2H24.2052	0.002 kg
230 VAC +10 %	3 mA ±15 %	120 mcd	630 nm	10-2H25.2042	0.002 kg	
Single-LED yellow	6 VDC +10 %	17 mA ±15 %	340 mcd	587 nm	10-2506.1084	0.002 kg
	12 VAC/DC +10 %	16 mA ±15 %	340 mcd	587 nm	10-2509.1144	0.002 kg
	24 VAC/DC +10 %	15 mA ±15 %	300 mcd	587 nm	10-2512.1144	0.002 kg
	28 VAC/DC +10 %	13 mA ±15 %	270 mcd	587 nm	10-2513.1144	0.002 kg
	48 VAC/DC +10 %	8 mA ±15 %	180 mcd	587 nm	10-2519.1054	0.002 kg
130 VDC +10 %	3 mA ±15 %	110 mcd	587 nm	10-2524.3044	0.002 kg	

LED colour	Operating voltage	Operation current	Lumi. intensity	Dom. wavelength	Part No.	Weight
Single-LED yellow	130 VAC +10 %	5 mA ±15 %	160 mcd	587 nm	10-2H24.2054	0.002 kg
	230 VAC +10 %	3 mA ±15 %	110 mcd	587 nm	10-2H25.2044	0.002 kg
Single-LED green	6 VDC +10 %	7 mA ±15 %	1050 mcd	525 nm	10-2506.1085	0.002 kg
	12 VAC/DC +10 %	7 mA ±15 %	1050 mcd	525 nm	10-2509.1145	0.002 kg
	24 VAC/DC +10 %	7 mA ±15 %	1050 mcd	525 nm	10-2512.1145	0.002 kg
	28 VAC/DC +10 %	7 mA ±15 %	1050 mcd	525 nm	10-2513.1145	0.002 kg
	48 VAC/DC +10 %	4 mA ±15 %	600 mcd	525 nm	10-2519.1055	0.002 kg
	130 VDC +10 %	2 mA ±15 %	300 mcd	525 nm	10-2524.3045	0.002 kg
	130 VAC +10 %	3 mA ±15 %	450 mcd	525 nm	10-2H24.2055	0.002 kg
Single-LED blue	230 VAC +10 %	2 mA ±15 %	300 mcd	525 nm	10-2H25.2045	0.002 kg
	6 VDC +10 %	17 mA ±15 %	780 mcd	470 nm	10-2506.1086	0.002 kg
	12 VAC/DC +10 %	16 mA ±15 %	720 mcd	470 nm	10-2509.1146	0.002 kg
	24 VAC/DC +10 %	15 mA ±15 %	680 mcd	470 nm	10-2512.1146	0.002 kg
	28 VAC/DC +10 %	13 mA ±15 %	590 mcd	470 nm	10-2513.1146	0.002 kg
	48 VAC/DC +10 %	8 mA ±15 %	400 mcd	470 nm	10-2519.1056	0.002 kg
	130 VDC +10 %	3 mA ±15 %	200 mcd	470 nm	10-2524.3046	0.002 kg
Single-LED white	130 VAC +10 %	5 mA ±15 %	230 mcd	470 nm	10-2H24.2056	0.002 kg
	230 VAC +10 %	3 mA ±15 %	200 mcd	470 nm	10-2H25.2046	0.002 kg
	6 VDC +10 %	5 mA ±15 %	750 mcd	x0.31/y0.32 nm	10-2506.1089	0.002 kg
	12 VAC/DC +10 %	8 mA ±15 %	1200 mcd	x0.31/y0.32 nm	10-2509.1149	0.002 kg
	24 VAC/DC +10 %	7 mA ±15 %	1050 mcd	x0.31/y0.32 nm	10-2512.1149	0.002 kg
	28 VAC/DC +10 %	5 mA ±15 %	750 mcd	x0.31/y0.32 nm	10-2513.1149	0.002 kg
	48 VAC/DC +10 %	5 mA ±15 %	750 mcd	x0.31/y0.32 nm	10-2519.1059	0.002 kg
130 VDC +10 %	1.5 mA ±15 %	225 mcd	x0.31/y0.32 nm	10-2524.3049	0.002 kg	
130 VAC +10 %	2 mA ±15 %	300 mcd	x0.31/y0.32 nm	10-2H24.2059	0.002 kg	
230 VAC +10 %	1.5 mA ±15 %	225 mcd	x0.31/y0.32 nm	10-2H25.2049	0.002 kg	



Single-LED super bright

Single-LED red	28 VAC/DC +10 %	14 mA ±15 %	7700 mcd	630 nm	10-2413.1132R	0.002 kg
Single-LED green	28 VAC/DC +10 %	13 mA ±15 %	12400 mcd	525 nm	10-2413.1125R	0.002 kg
Single-LED yellow	28 VAC/DC +10 %	14 mA ±15 %	4200 mcd	589 nm	10-2413.1134R	0.002 kg



Single-LED with integrated Zener diode

Single-LED red	24–30 VAC/DC +10 %	13–19 mA ±15 %	300–440 mcd	630 nm	10-2H13.3162Q	0.002 kg
Single-LED green	24–30 VAC/DC +10 %	12–18 mA ±15 %	1800–2700 mcd	525 nm	10-2H13.3165Q	0.002 kg
Single-LED yellow	24–30 VAC/DC +10 %	13–19 mA ±15 %	270–380 mcd	587 nm	10-2H13.3164Q	0.002 kg
Single-LED blue	24–30 VAC/DC +10 %	12–18 mA ±15 %	560–800 mcd	470 nm	10-2H13.3166Q	0.002 kg
Single-LED white diffuse	24–30 VAC/DC +10 %	7–11 mA ±15 %	600–900 mcd	x0.31/y0.32	10-2H13.3169Q	0.002 kg



Bi-colour LED

Bi-colour LED red/green	24 VDC +10 %	15 mA ±15 %	1200/900 mcd	625/525 nm	10-2H12.314A	0.002 kg
Bi-colour LED red/yellow	24 VDC +10 %	15 mA ±15 %	1200/550 mcd	625/589 nm	10-2H12.314B	0.002 kg
Bi-colour LED yellow/green	24 VDC +10 %	15 mA ±15 %	900/550 mcd	525/589 nm	10-2H12.314C	0.002 kg