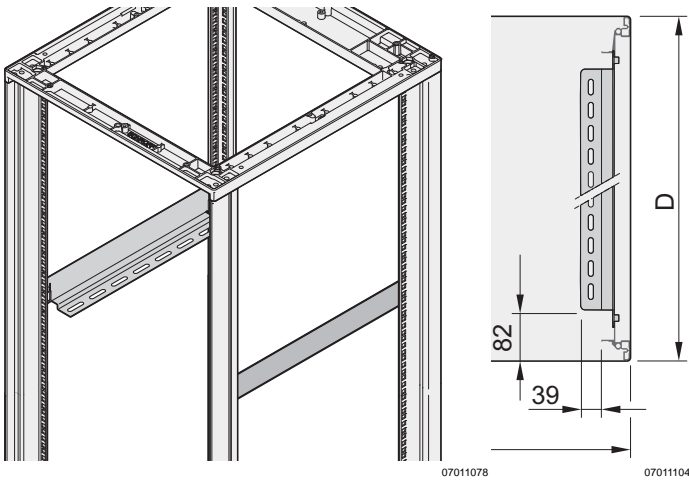


Cabinets - NOVASTAR

Slide rail



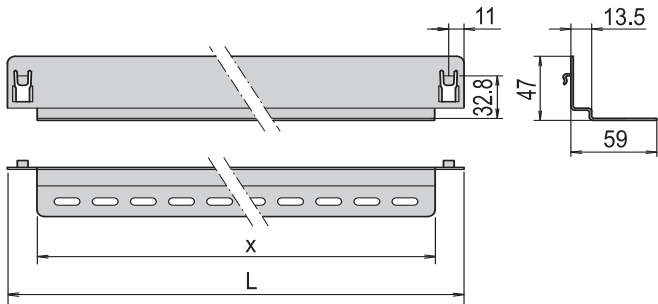
- For mounting on the vertical cabinet uprights or 19" panel/slide mounts
- Adjustable in 1 U increments
- Static load-carrying capacity 25 kg per pair

Delivery comprises

Item	Qty	Description
1	2	Slide rail, St, 1.5 mm, finish AlZn
2	1	Assembly kit

Order Information

For cabinet depth D mm	L mm	x mm	Part no.
500	370	322	27230-102
600	470	422	27230-103
800	670	622	27230-104

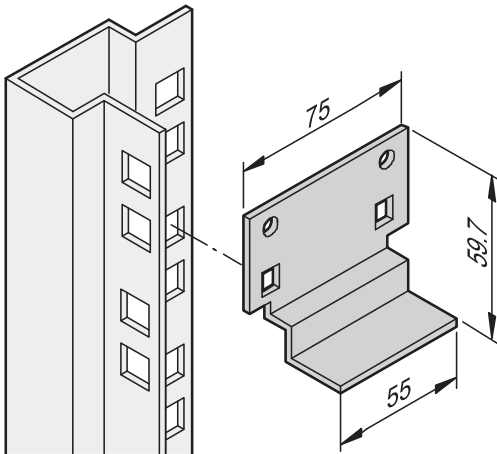


00205051



For further information www.schroff.biz/oneclick
oneClick search code = Part no.

Short slide rail



sc96xxxx

- For mounting on the cabinet uprights or 19" panel/slide mounts
- Adjustable in 1 U increments
- Static load-carrying capacity max. 15 kg per pair

Delivery comprises

Item	Qty	Description
1	2 / 10	Short slide rail, St, 1.5 mm, finish AlZn
2	1	Assembly kit

Order Information

Description	Qty/PU	Part no.
Short slide rail	2	27230-125
Short slide rail	10	27230-126



For further information www.schroff.biz/oneclick
oneClick search code = Part no.