

- 1
- 2
- 3
- 4
- 5
- 6
- 7
- 8
- 9
- 10
- 11
- 12
- 13
- 14
- 15
- 16
- 17
- 18



**MATERIAL**

Cast iron, sandblasted matte finish.

**CYLINDRICAL HANDLE**

Black-oxide steel.

**POSITIONING AND REST PIN**

Hardened steel.

**STANDARD EXECUTIONS**

- **GN 558-B:** hub with H7 reamed hole.
- **GN 558-K:** hub with H7 reamed hole and keyway in compliance with DIN 6885/2 tolerance P9 (see page A-15).

**FEATURES AND APPLICATIONS**

GN 558 control levers are normally used for positioning shafts in pre-fixed positions.  
The levers can also be supplied not assembled.

**MATERIAL**

Glass-fibre reinforced polyamide based (PA) technopolymer, black colour, matte finish. Balancing by means of an incorporated counterweight.

**CENTRE CLOSING CAP**

Technopolymer, black colour. On request and for sufficient quantities it can be supplied in other colours and customised with marks or words.

**STANDARD EXECUTION**

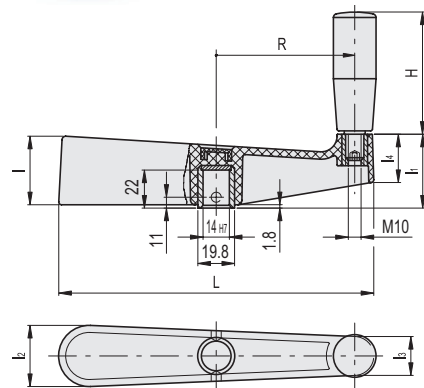
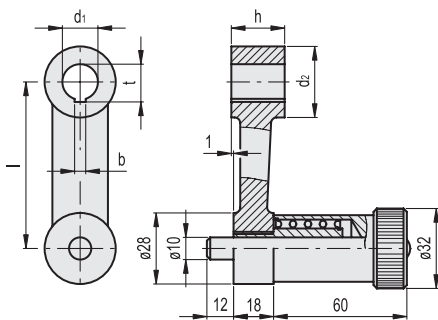
Black-oxide steel boss, H7 reamed hole.  
Reamed hole provided with centres already drilled for pinning to shaft.  
Revolving handle I.601+x (see page 574) in technopolymer.

**FEATURES**

Its surface with matte finish allows a sensible grip during operation, even in case of short approach controls. The revolving handle makes high-speed rotation easier.



ELESA Original design



| Code     | Description    | l   | d1 H7 | d2 | h  | bP9 | t    | ⚖   |
|----------|----------------|-----|-------|----|----|-----|------|-----|
| GN.23101 | GN 558-75-B16  | 75  | 16    | 32 | 24 | -   | -    | 544 |
| GN.23102 | GN 558-75-K16  | 75  | 16    | 32 | 24 | 5   | 17.3 | 537 |
| GN.23111 | GN 558-90-B18  | 90  | 18    | 34 | 26 | -   | -    | 588 |
| GN.23112 | GN 558-90-K18  | 90  | 18    | 34 | 26 | 6   | 19.7 | 583 |
| GN.23121 | GN 558-110-B20 | 110 | 20    | 36 | 30 | -   | -    | 694 |
| GN.23122 | GN 558-110-K20 | 110 | 20    | 36 | 30 | 6   | 21.7 | 689 |
| GN.23131 | GN 558-135-B22 | 135 | 22    | 42 | 32 | -   | -    | 823 |
| GN.23132 | GN 558-135-K22 | 135 | 22    | 42 | 32 | 6   | 23.7 | 818 |
| GN.23141 | GN 558-165-B24 | 165 | 24    | 44 | 36 | -   | -    | 994 |
| GN.23142 | GN 558-165-K24 | 165 | 24    | 44 | 36 | 8   | 25.7 | 988 |

| Code  | Description | dH7 | L   | l  | l1 | l2 | l3 | l4 | H  | R  | ⚖   |
|-------|-------------|-----|-----|----|----|----|----|----|----|----|-----|
| 38901 | METP.170    | 14  | 170 | 37 | 39 | 33 | 21 | 25 | 65 | 74 | 275 |