

GN 7062.10 | Brackets for sensor holders

Stainless steel



- 1
- 2
- 3
- 4
- 5
- 6
- 7
- 8
- 9
- 10
- 11
- 12
- 13
- 14
- 15
- 16
- 17
- 18

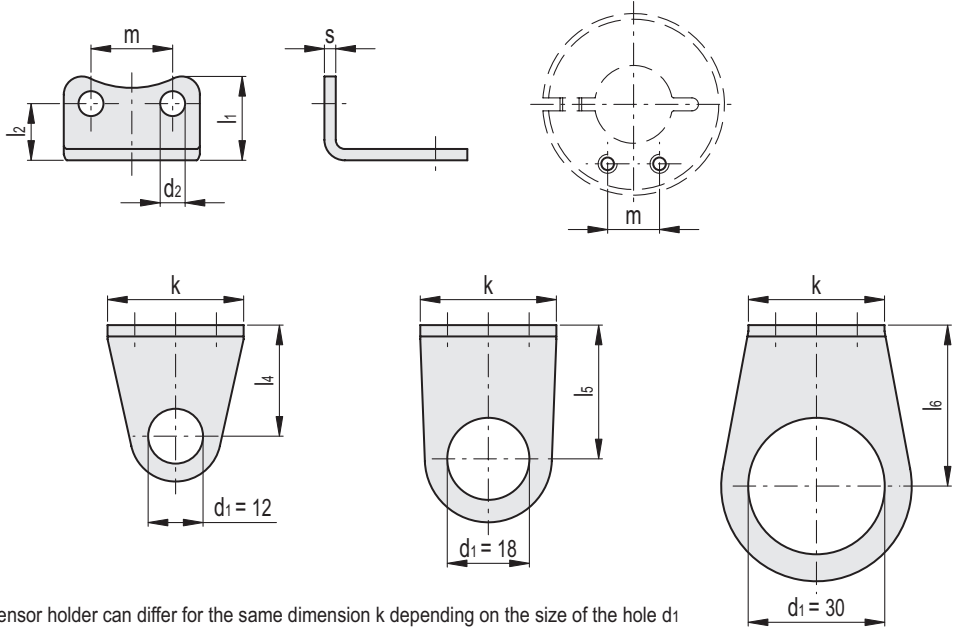
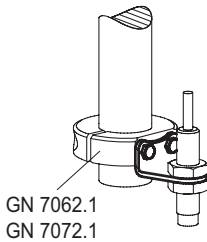
MATERIAL

AISI 304 stainless steel, sandblasted matte finish.

FEATURES AND APPLICATIONS

GN 7062.10 brackets are suitable for sensor holders.

The holes d2 can be adapted to the threaded holes of the positioning rings GN 7062.1 (see page -) / GN 7072.1 (see page -) of different sizes, facilitating the axial or radial positioning of the sensors.



The geometry of the sensor holder can differ for the same dimension k depending on the size of the hole d1



Code	Description	d1 +0.1	d2	l1	l2	l3	l4	l5	l6	m	k	s	△
GN.74001	GN 7062.10-B8-14-L	8	3.5	13	9.5	15	-	-	-	8	14	2	5
GN.74003	GN 7062.10-B8-18-L	8	4.5	14.5	10.5	19	-	-	-	10	18	2	7
GN.74005	GN 7062.10-B8-23-L	8	4.5	17	12.5	19	-	-	-	12	23	2.5	12
GN.74007	GN 7062.10-B8-30-L	8	5.5	18.5	12.5	24.5	-	-	-	18	30	2.5	18
GN.74011	GN 7062.10-B12-14-L	12	3.5	13	9.5	-	19	-	-	8	14	2	7
GN.74013	GN 7062.10-B12-18-L	12	4.5	14.5	10.5	-	24.5	-	-	10	18	2	10
GN.74015	GN 7062.10-B12-23-L	12	4.5	17	12.5	-	24.5	-	-	12	23	2.5	16
GN.74017	GN 7062.10-B12-30-L	12	5.5	18.5	12.5	-	24.5	-	-	18	30	2.5	19
GN.74021	GN 7062.10-B18-18-L	18	4.5	14.5	10.5	-	-	29.5	-	10	18	2	13
GN.74023	GN 7062.10-B18-23-L	18	4.5	17	12.5	-	-	29.5	-	12	23	2.5	20
GN.74025	GN 7062.10-B18-30-L	18	5.5	18.5	12.5	-	-	29.5	-	18	30	2.5	24
GN.74031	GN 7062.10-B30-23-L	30	4.5	17	12.5	-	-	-	35.5	12	23	2.5	27
GN.74033	GN 7062.10-B30-30-L	30	5.5	18.5	12.5	-	-	-	35.5	18	30	2.5	31

Standard machine parts