

GN 817.4 | Indexing plungers

With or without rest in retracted position, steel



- 1
- 2
- 3
- 4
- 5
- 6
- 7
- 8
- 9
- 10
- 11
- 12
- 13
- 14
- 15
- 16
- 17
- 18

THREADED BODY AND LOCKING NUT

Black-oxide steel.

PLUNGER

Black-oxide steel with hardened end.

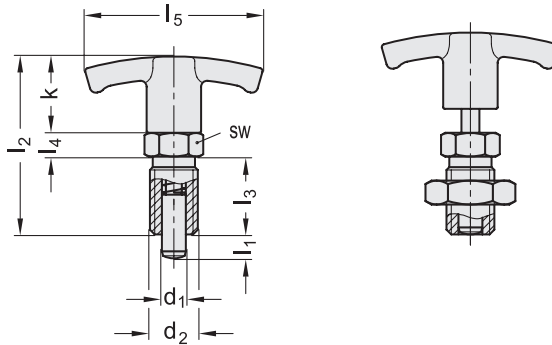
Suggested tolerance for matching hole = H7.

HANDLE

High-resilience polyamide based (PA) technopolymer, black colour, matte finish.

STANDARD EXECUTIONS

- **GN 817.4-B:** without rest position, without locking nut.
- **GN 817.4-BK:** without rest position, with locking nut.
- **GN 817.4-C:** with rest position (pull the knob and turn it by 90°), without locking nut.
- **GN 817.4-CK:** with rest position (pull the knob and turn it by 90°), with locking nut.



Code	Description	d1										Spring preload [N]	Spring max load [N]	Δ△
		Plunger -0.02-0.04 Hole H7	d2	k	l1	l2	l3	l4	l5	sw				
GN.34038	GN 817.4-6-6-B	6	M12x1.5	20	6	48	22	6	54	14	6.5	19	20	
GN.34040	GN 817.4-6-9-B	6	M12x1.5	20	9	48	22	6	54	14	6	25	20	
GN.34042	GN 817.4-8-8-B	8	M16x1.5	25	8	59	26	8	59	17	8.5	26	40	
GN.34044	GN 817.4-8-12-B	8	M16x1.5	25	12	59	26	8	59	17	8.5	28	60	
GN.34046	GN 817.4-10-12-B	10	M16x1.5	25	12	59	26	8	59	17	9.5	38	60	
GN.34048	GN 817.4-12-15-B	12	M20x1.5	25	15	68	33	10	59	22	11.5	40	120	
GN.34061	GN 817.4-6-6-BK	6	M12x1.5	20	6	48	22	6	54	14	6.5	19	40	
GN.34063	GN 817.4-6-9-BK	6	M12x1.5	20	9	48	22	6	54	14	6	25	40	
GN.34065	GN 817.4-8-8-BK	8	M16x1.5	25	8	59	26	8	59	17	8.5	26	60	
GN.34067	GN 817.4-8-12-BK	8	M16x1.5	25	12	59	26	8	59	17	8.5	28	80	
GN.34069	GN 817.4-10-12-BK	10	M16x1.5	25	12	59	26	8	59	17	9.5	38	80	
GN.34672	GN 817.4-12-15-BK	12	M20x1.5	25	15	68	33	10	59	22	11.5	40	150	
GN.34039	GN 817.4-6-6-C	6	M12x1.5	20	6	48	22	6	54	14	6.5	19	35	
GN.34041	GN 817.4-6-9-C	6	M12x1.5	20	9	48	22	6	54	14	6	25	40	
GN.34043	GN 817.4-8-8-C	8	M16x1.5	25	8	59	26	8	59	17	8.5	26	70	
GN.34045	GN 817.4-8-12-C	8	M16x1.5	25	12	59	26	8	59	17	8.5	28	80	
GN.34047	GN 817.4-10-12-C	10	M16x1.5	25	12	59	26	8	59	17	9.5	38	80	
GN.34049	GN 817.4-12-15-C	12	M20x1.5	25	15	68	33	10	59	22	11.5	40	100	
GN.34062	GN 817.4-6-6-CK	6	M12x1.5	20	6	48	22	6	54	14	6.5	19	40	
GN.34064	GN 817.4-6-9-CK	6	M12x1.5	20	9	48	22	6	54	14	6	25	50	
GN.34066	GN 817.4-8-8-CK	8	M16x1.5	25	8	59	26	8	59	17	8.5	26	90	
GN.34068	GN 817.4-8-12-CK	8	M16x1.5	25	12	59	26	8	59	17	8.5	28	100	
GN.34671	GN 817.4-10-12-CK	10	M16x1.5	25	12	59	26	8	59	17	9.5	38	125	
GN.34673	GN 817.4-12-15-CK	12	M20x1.5	25	15	68	33	10	59	22	11.5	40	160	

Indexing and positioning elements