

STANDARD EXECUTIONS

Material: zinc-plated steel:

- **TLW-EG**: with eyelet-shaped pulling hook and matching part.
- **TLW-ET**: with T-shaped pulling hook and matching part.

Material: body, tie rod and matching part in AISI 304 stainless steel, pins in AISI 303 stainless steel:

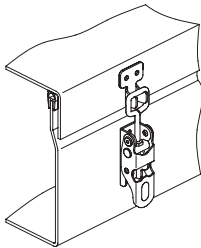
- **TLW-EGX**: with eyelet-shaped pulling hook and matching part.
- **TLW-ETX**: with T-shaped pulling hook and matching part.

FEATURES AND APPLICATIONS

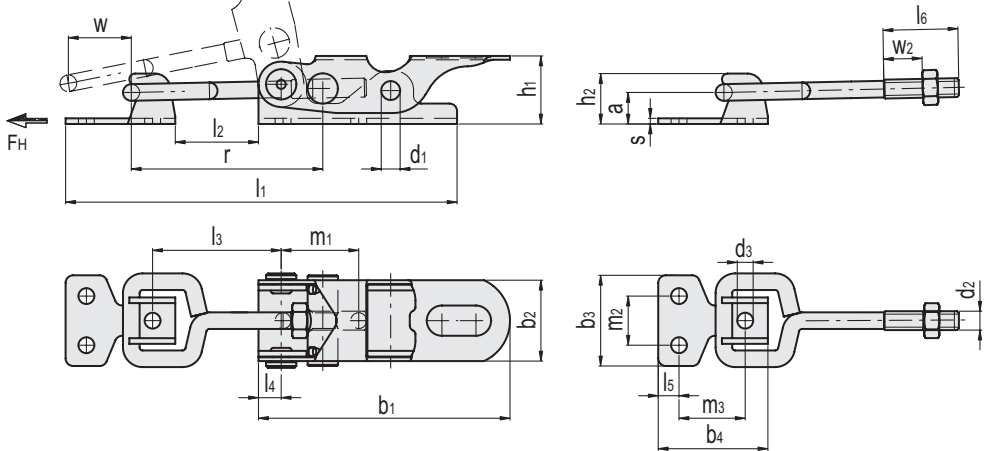
TLW hook clamps ensure perfect closure of a cover.

The position of the pulling hook can be adjusted in length according to the specific applications and for fine adjustment.

When the lever is closed, the eccentric configuration of the rod pin causes the latch to move towards the stop. At the end of the lever movement, the rod pin has passed the eccentric dead point, and in this way keeps the toggle latch automatically closed.



TLW-EG
TLW-EGX



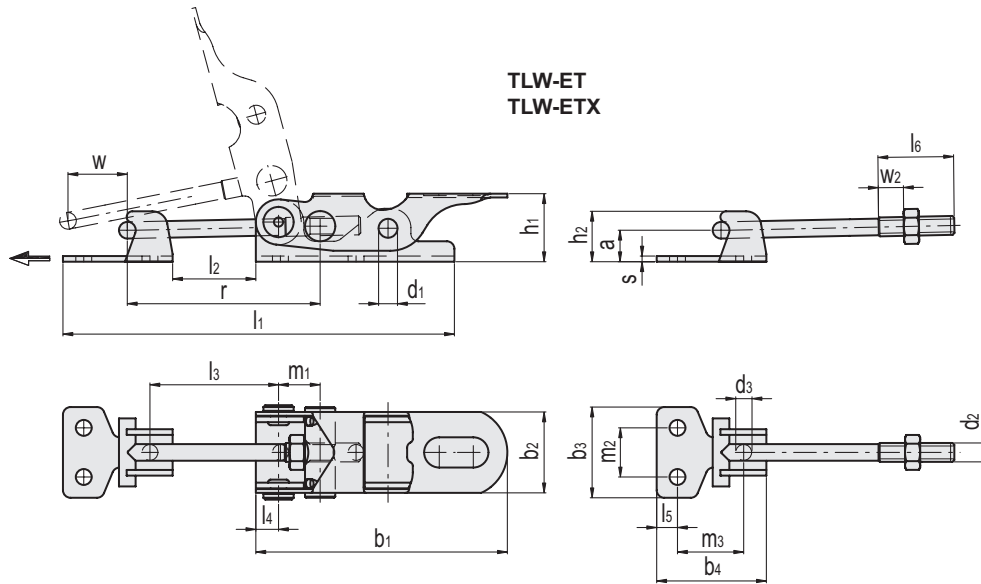
TLW-EG

| Code | Description | a | b1 | b2 | b3 | b4 | d1 | d2 | d3 | h1 | h2 | l1 | l2 min | l3 min | l4 | l5 | l6 | m1 | m2 | m3 | r (w2=0) | s | w Stroke | w2 | FH* [N] | Δ |
|-----------|-------------|------|-------|------|----|----|----|----|-----|----|------|-------|--------|--------|-----|------|----|------|----|------|----------|-----|----------|------|---------|-----|
| GG.AE1010 | TLW-E1G | 8.3 | 66.5 | 21.5 | 24 | 29 | 5 | M5 | 4.2 | 18 | 13.3 | 117.5 | 22 | 34.5 | 6.5 | 5.5 | 20 | 20 | 13 | 17.5 | 51 | 1.5 | 12 | 7 | 1000 | 63 |
| GG.AE2010 | TLW-E2G | 10 | 85.5 | 27.5 | 32 | 42 | 6 | M6 | 5.2 | 25 | 16.4 | 155.5 | 28 | 44 | 8 | 10 | 25 | 24.5 | 15 | 24 | 64 | 2 | 14 | 11 | 2000 | 142 |
| GG.AE3010 | TLW-E3G | 12.7 | 104.5 | 31.5 | 38 | 52 | 8 | M8 | 6.5 | 32 | 20.7 | 189.5 | 33 | 54 | 11 | 12.5 | 30 | 30 | 20 | 29.5 | 79.5 | 2.5 | 18 | 12.5 | 3000 | 270 |

TLW-EGX

| Code | Description | a | b1 | b2 | b3 | b4 | d1 | d2 | d3 | h1 | h2 | l1 | l2 min | l3 min | l4 | l5 | l6 | m1 | m2 | m3 | r (w2=0) | s | w Stroke | w2 | FH* [N] | Δ |
|-----------|-------------|------|-------|------|----|----|----|----|-----|----|------|-------|--------|--------|-----|------|----|------|----|------|----------|-----|----------|------|---------|-----|
| GG.ES1010 | TLW-E1GX | 8.3 | 66.5 | 21.5 | 24 | 29 | 5 | M5 | 4.2 | 18 | 13.3 | 117.5 | 22 | 34.5 | 6.5 | 5.5 | 20 | 20 | 13 | 17.5 | 51 | 1.5 | 12 | 7 | 1000 | 63 |
| GG.ES2010 | TLW-E2GX | 10 | 85.5 | 27.5 | 32 | 42 | 6 | M6 | 5.2 | 25 | 16.4 | 155.5 | 28 | 44 | 8 | 10 | 25 | 24.5 | 15 | 24 | 64 | 2 | 14 | 11 | 2000 | 142 |
| GG.ES3010 | TLW-E3GX | 12.7 | 104.5 | 31.5 | 38 | 52 | 8 | M8 | 6.5 | 32 | 20.7 | 189.5 | 33 | 54 | 11 | 12.5 | 30 | 30 | 20 | 29.5 | 79.5 | 2.5 | 18 | 12.5 | 3000 | 270 |

* FH: holding force.



TLW-ET

| Code | Description | a | b1 | b2 | b3 | b4 | d1 | d2 | d3 | h1 | h2 | l1 | l2 min | l3 min | l4 | l5 | l6 | m1 | m2 | m3 | r (w2=0) | s | w Stroke | w2 | FH* [N] | Δ |
|-----------|-------------|------|-------|------|----|----|----|----|-----|----|------|-------|--------|--------|-----|------|----|------|----|------|-------------|-----|-------------|------|------------|----------|
| GG.AE1020 | TLW-E1T | 8.3 | 66.5 | 21.5 | 24 | 29 | 5 | M5 | 4.2 | 18 | 13.3 | 117.5 | 22 | 34.5 | 6.5 | 5.5 | 20 | 20 | 13 | 17.5 | 51 | 1.5 | 12 | 7 | 1000 | 61 |
| GG.AE2020 | TLW-E2T | 10 | 85.5 | 27.5 | 32 | 42 | 6 | M6 | 5.2 | 25 | 16.4 | 155.5 | 28 | 44 | 8 | 10 | 25 | 24.5 | 15 | 24 | 64 | 2 | 14 | 11 | 2000 | 135 |
| GG.AE3020 | TLW-E3T | 12.7 | 104.5 | 31.5 | 38 | 52 | 8 | M8 | 6.5 | 32 | 20.7 | 189.5 | 33 | 54 | 11 | 12.5 | 30 | 30 | 20 | 29.5 | 79.5 | 2.5 | 18 | 12.5 | 3000 | 256 |

TLW-ETX



| Code | Description | a | b1 | b2 | b3 | b4 | d1 | d2 | d3 | h1 | h2 | l1 | l2 min | l3 min | l4 | l5 | l6 | m1 | m2 | m3 | r (w2=0) | s | w Stroke | w2 | FH* [N] | Δ |
|-----------|-------------|------|-------|------|----|----|----|----|-----|----|------|-------|--------|--------|-----|------|----|------|----|------|-------------|-----|-------------|------|------------|----------|
| GG.ES1020 | TLW-E1TX | 8.3 | 66.5 | 21.5 | 24 | 29 | 5 | M5 | 4.2 | 18 | 13.3 | 117.5 | 22 | 34.5 | 6.5 | 5.5 | 20 | 20 | 13 | 17.5 | 51 | 1.5 | 12 | 7 | 1000 | 61 |
| GG.ES2020 | TLW-E2TX | 10 | 85.5 | 27.5 | 32 | 42 | 6 | M6 | 5.2 | 25 | 16.4 | 155.5 | 28 | 44 | 8 | 10 | 25 | 24.5 | 15 | 24 | 64 | 2 | 14 | 11 | 2000 | 135 |
| GG.ES3020 | TLW-E3TX | 12.7 | 104.5 | 31.5 | 38 | 52 | 8 | M8 | 6.5 | 32 | 20.7 | 189.5 | 33 | 54 | 11 | 12.5 | 30 | 30 | 20 | 29.5 | 79.5 | 2.5 | 18 | 12.5 | 3000 | 256 |

* FH: holding force.

