

# 180 x 90 x 30 cm

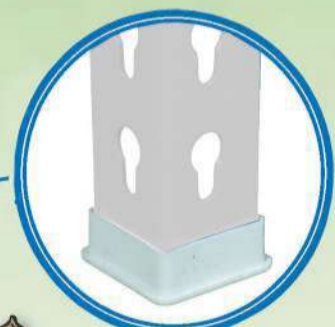
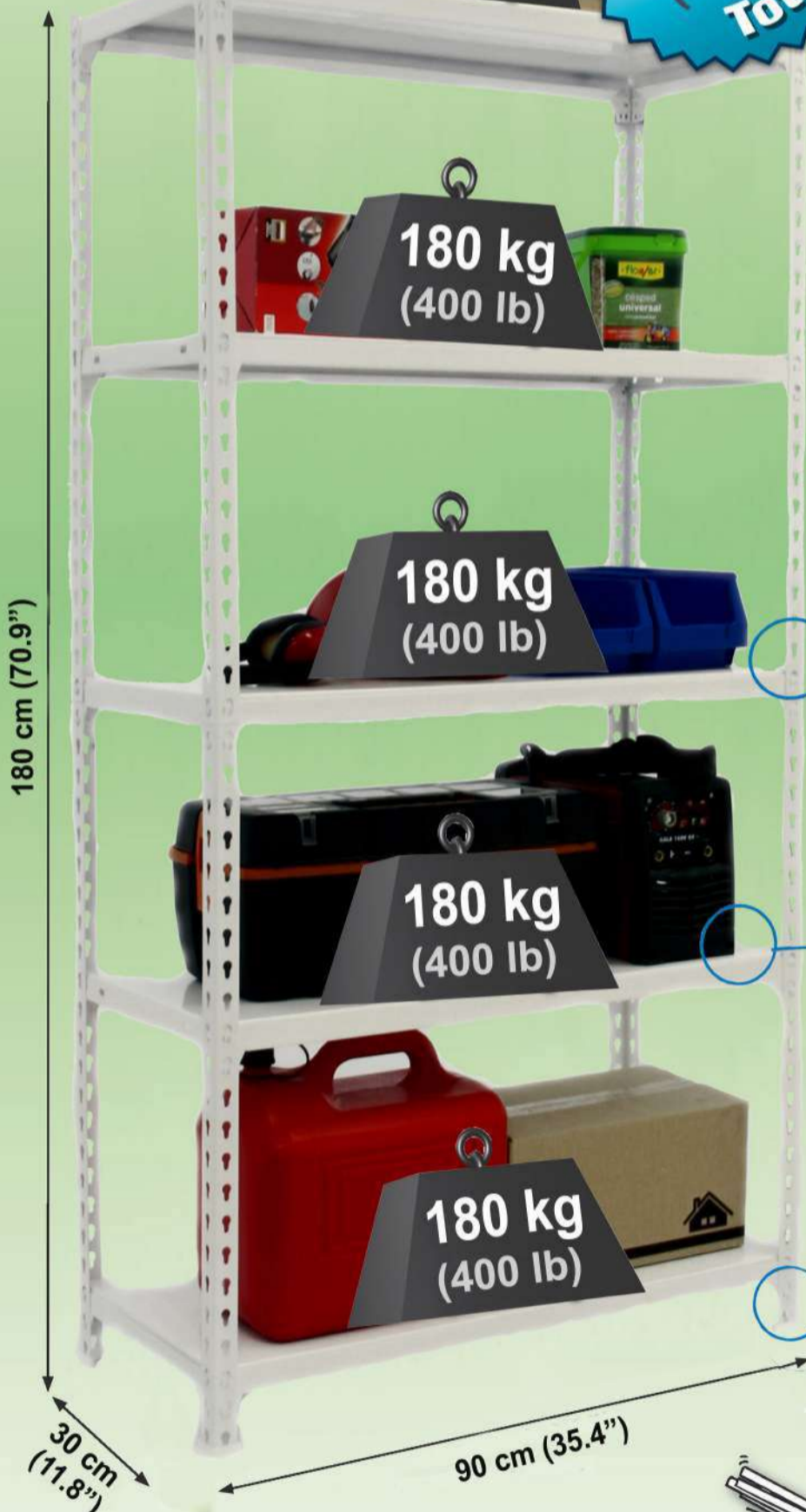
## 70.9" x 35.4" x 11.8"

### SIMONCLICK 5/300 + FUNDA

**5** Años Garantía  
Years Guarantee  
Jahre Garantie  
Ans Garantie  
Anos de Garantia  
**SIMONRACK**

**180 kg**  
(400 lb)

**900 kg**  
(1984 lb)  
**Total**



\*MEDIDAS EN USO / USED MEASUREMENTS / MASSNAHMEN IM EINSATZ / MESURES EN EMPLOI / MEDIDAS EM USO:  
1785 x 910 x 310 mm ( 70.28" x 35.83" x 12.20")



**Simon**  
**Rack**  
SINCE 1964 - MANUFACTURER

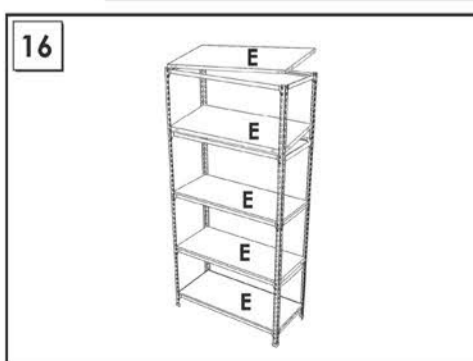
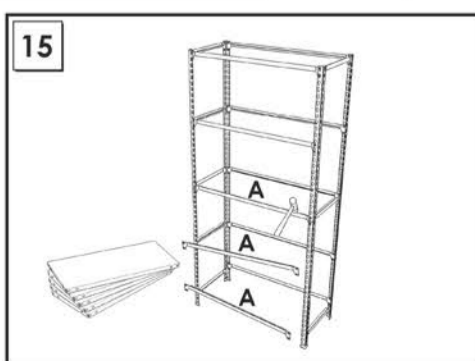
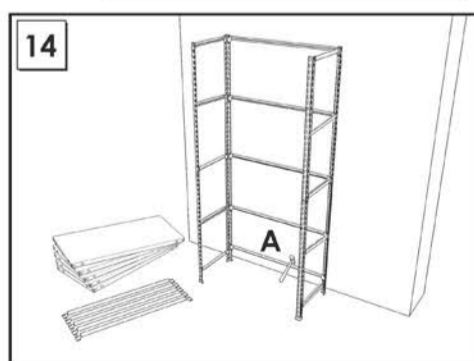
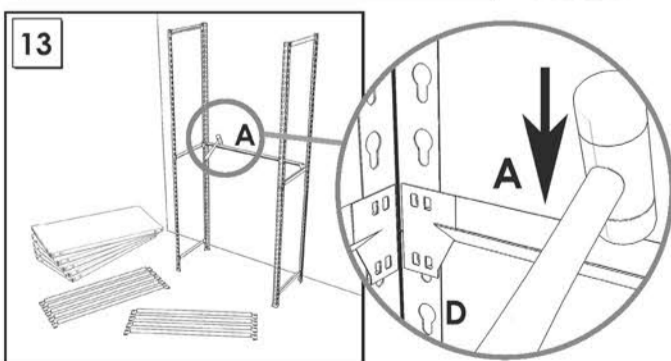
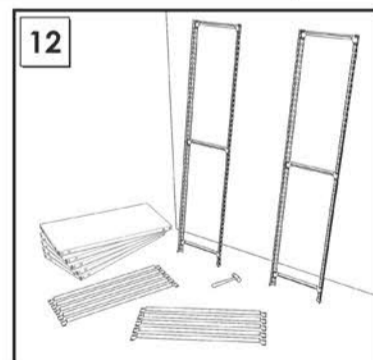
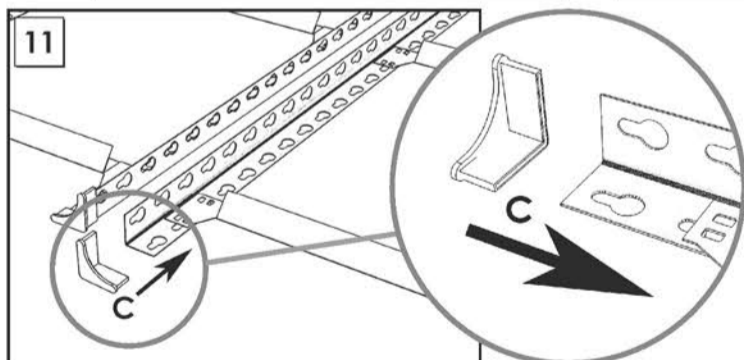
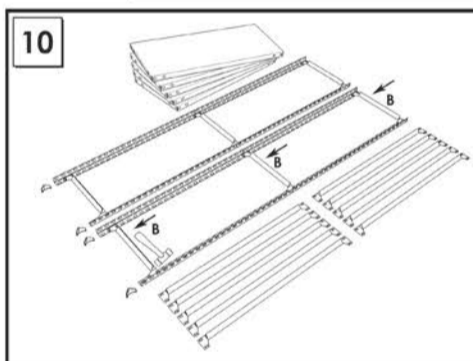
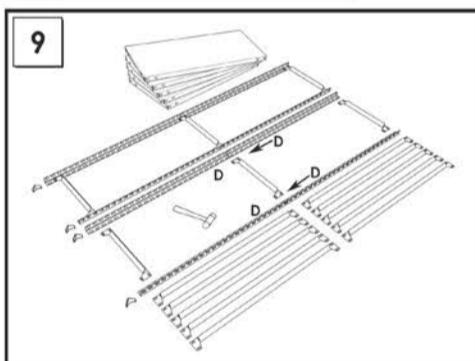
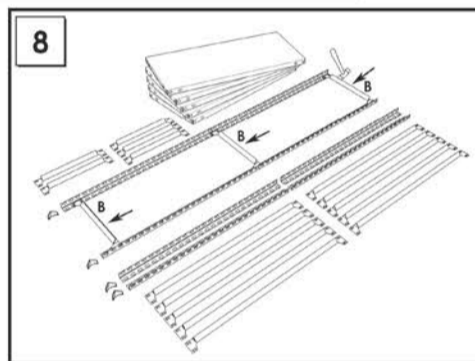
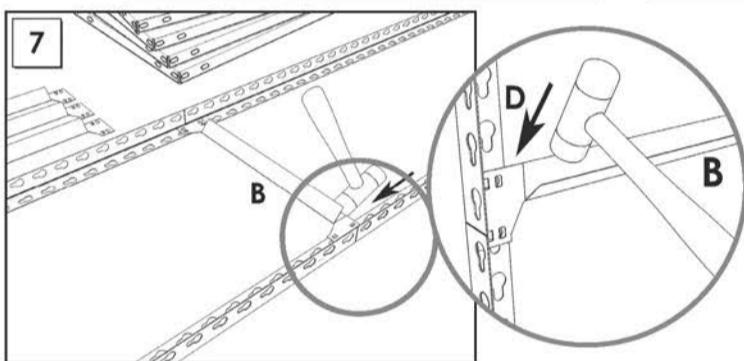
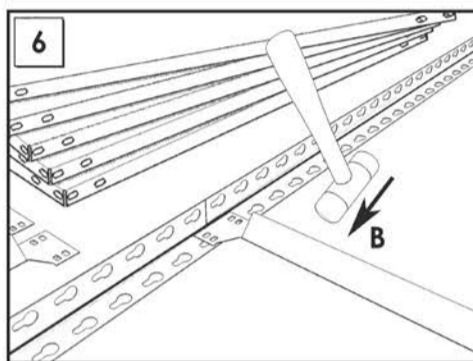
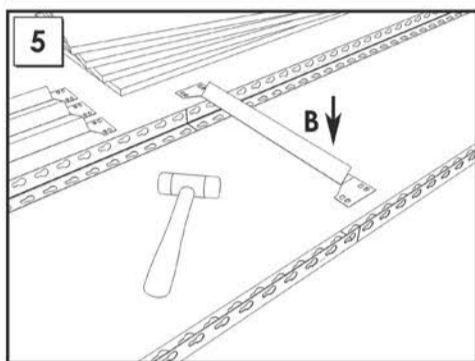
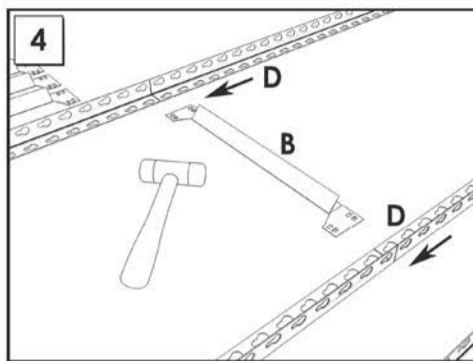
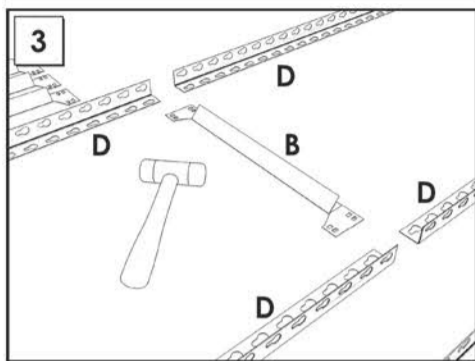
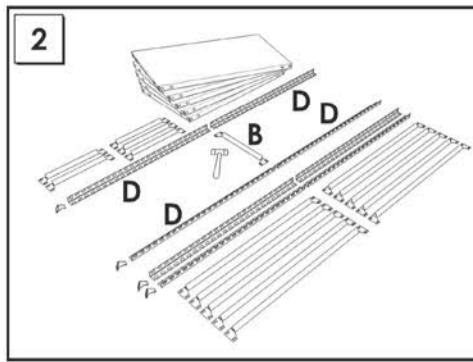
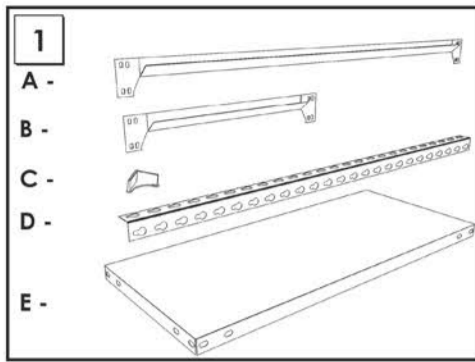
ESTANTERIAS SIMON S.L. B.50.556.463  
PG. ALFAMEN C/ POLIGONO C, N°3  
ALFAMEN (ZARAGOZA)



[www.simonrack.com](http://www.simonrack.com)



INSTRUCTIONS



On-line instructions: [www.instructionsrack.com/simonclick](http://www.instructionsrack.com/simonclick)

[www.simonrack.com](http://www.simonrack.com) • [www.simonrack.com](http://www.simonrack.com) • [www.simonrack.com](http://www.simonrack.com) • [www.simonrack.com](http://www.simonrack.com)

### SIMONCLASSIC



### SIMONCLICK



### SIMONOFFICE



### SIMONTALLER



### BANCOS DE TRABAJO WORK BENCHES



### SIMONHOME



### TAQUILLAS LOCKER



### SIMONTITÁN



### SIMONINOX



### SIMONPALET



### SIMONLEVER



### ALTILLOS Y PASILLOS ELEVADOS PLATFORMS AND MEZZANINES

