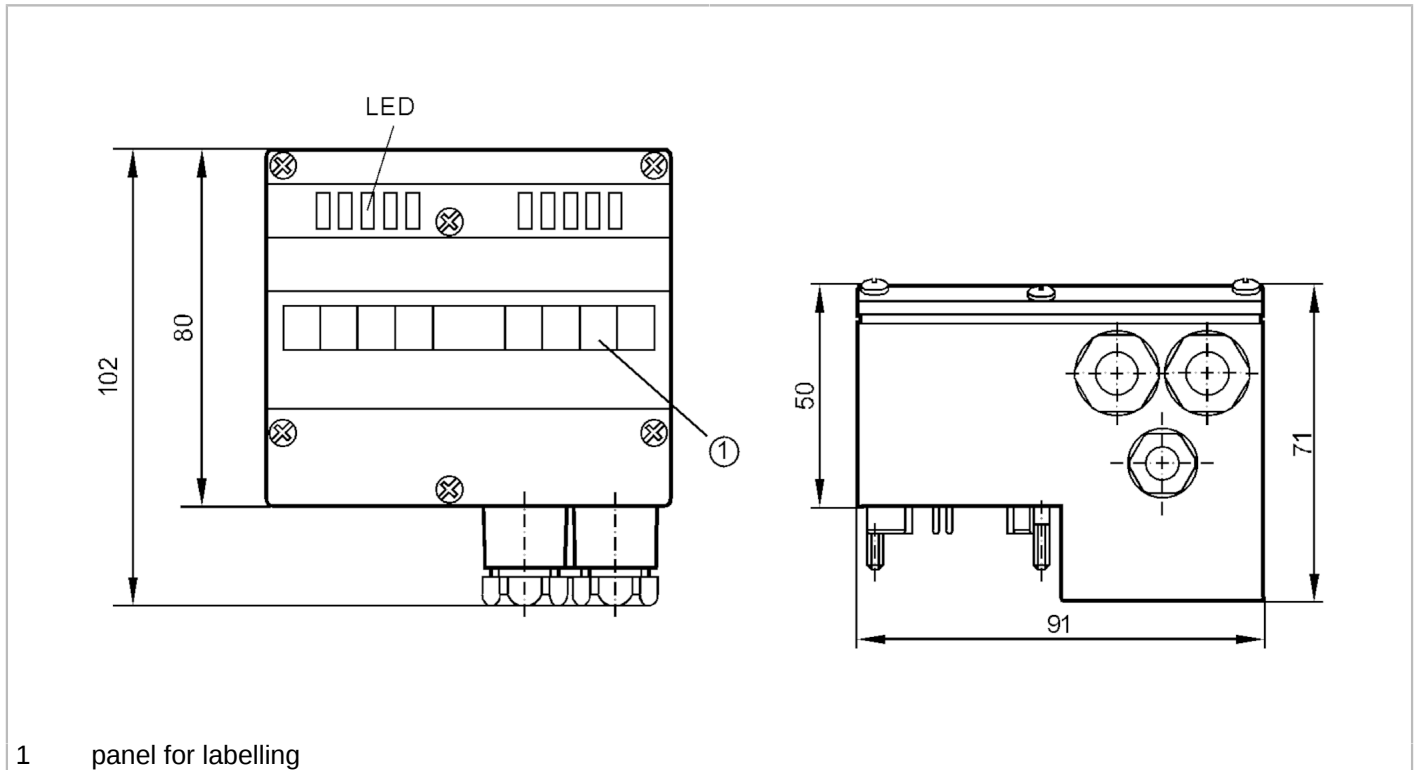


AC2618



AS-Interface universal module

UniversalModule 2AO(C) IP65



1 panel for labelling



Electrical data		
Operating voltage	[V]	26.5...31.6 DC
Current consumption	[mA]	4...33; (external supply)
Max. current consumption from AS-i	[mA]	33; (with external supply: 29 mA)
Max. current load total	[A]	0.5; (with external supply; with external supply: 90 mA)
Additional voltage supply	[V]	24 DC
Inputs / outputs		
Number of inputs and outputs		Number of analogue outputs: 2
Outputs		
Number of analogue outputs		2; (Anschluss von 2-Draht-Aktuatoren oder 4-Draht-Aktuatoren mit separater 24 V-Versorgung)
Analogue current output	[mA]	0...20
Max. load	[Ω]	600
Overload protection		yes
Resolution of analogue output		16 (1 bit = 1 μA)
Actuator supply analogue outputs		AS-i/external
Operating conditions		
Ambient temperature	[°C]	0...70
Storage temperature	[°C]	-25...85
Protection		IP 65



AS-Interface universal module

UniversalModule 2AO(C) IP65

Tests / approvals

EMC	EN 50295
MTTF [years]	145

AS-i classification

AS-i profile	S-7.3.5
AS-i I/O configuration [hex]	7
AS-i ID code [hex]	3.5
AS-i certificate pending	yes

Assignment of the parameter bits	parameter bit	Designation				
	P0	not used	/ 1	reserved	/ 0	reserved
P1	not used	/ 1	reserved	/ 0	reserved	
P2	peripheral fault indication	: 1	activated	/ 0	deactivated	
P3	not used	/ 1	reserved	/ 0	reserved	

Mechanical data

Weight [g]	297
Type of mounting	AS-i interface to FC-E lower parts
Materials	PBT

Displays / operating elements

Display	switching status	LED, green channels 1, 2
	operation	LED, green Voltage AS-i - AS-i
	errors	LED, red
	function	LED, green Voltage A/D converter

Remarks

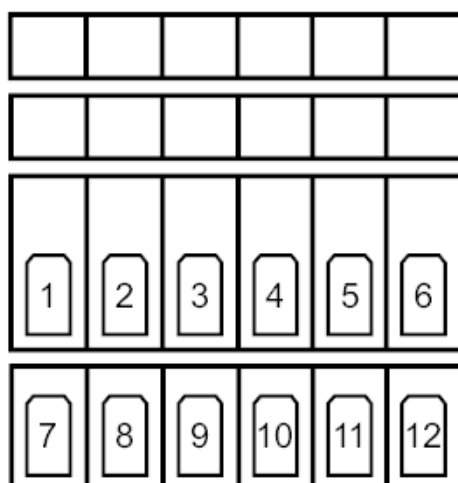
Pack quantity	1 pcs.
---------------	--------

Electrical connection

cage clamps:

contact pins to module lower part, FK / FK-E / PG:

Connection



AC2618



AS-Interface universal module

UniversalModule 2AO(C) IP65

1	O+ actuator supply 2 +24V
2	C2 analogue output mA
3	O- actuator supply 2 0V
4	COM 2 analogue output 2 0V
5	Shield
6	Shield
7	O+ actuator supply 1 +24V
8	C1 analogue output mA
9	O- actuator supply 1 0V
10	COM 1 analogue output 1 0V
11	FE functional earth
12	FE functional earth