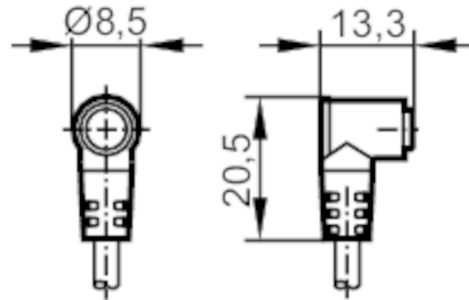


# E10217



## Connecting cable with socket

ADOAG030--S0002E03



### Electrical data

Operating voltage [V] < 60 AC/DC

### Operating conditions

Ambient temperature [°C] -25...85

Protection IP 65

### Mechanical data

Weight [g] 33

Dimensions [mm] 13.3 x 8.5 x 20.5

Materials PUR

### Remarks

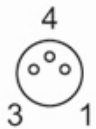
Pack quantity 1 pcs.

### Electrical connection

Cable: 2 m, PVC, black, Ø 3 mm; 3 x 0.14 mm<sup>2</sup> (18 x Ø 0.1 mm )

### Electrical connection - socket

Connector: 1 x M8, angled; Moulded body: PUR



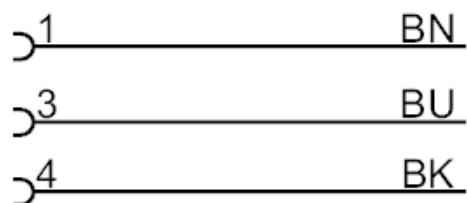
# E10217



## Connecting cable with socket

ADOAG030--S0002E03

### Connection



Core colours :

BN = brown  
BK = black  
BU = blue