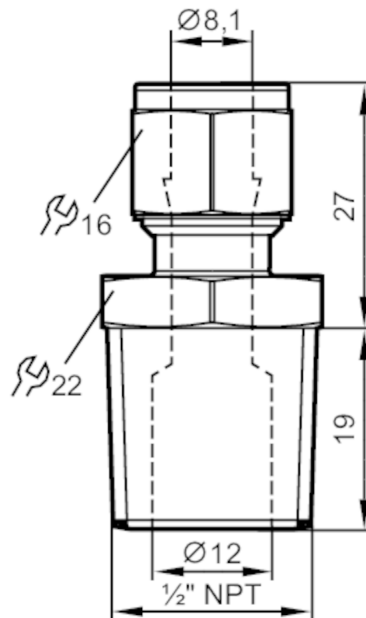


# E40261



## Progressive ring fitting

COMPRESSION FITTING 1/2 NPT



## CRN

### Application

Pressure rating	[bar]	50
MAWP (for applications according to CRN)	[bar]	50

### Mechanical data

Weight	[g]	80
Materials		stainless steel (1.4404 / 316L)
Sensor connection		Ø 8 mm
Process connection		1/2 NPT

### Remarks

Pack quantity		1 pcs.
---------------	--	--------