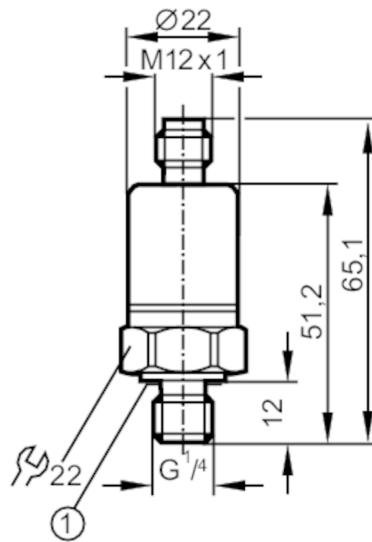


PT9553



Pressure transmitter

PT-025-SBG14-B-DVG/US/ IW



- 1 Sealing
Tightening torque 25 Nm



Product characteristics

Output signal	analogue signal		
Measuring range	0...25 bar	0...363 psi	0...2.5 MPa
Process connection	threaded connection G 1/4 external thread		

Application

Application	for mobile applications		
Media	liquids and gases		
Medium temperature [°C]	-25...90; (on request: -40...100 °C)		
Pressure rating	60 bar	870 psi	6 MPa
Min. bursting pressure	600 bar	7253 psi	60 MPa
Type of pressure	relative pressure		

Electrical data

Operating voltage [V]	16...36 DC		
Current consumption [mA]	< 6		
Min. insulation resistance [MΩ]	100; (80 V DC)		
Protection class	III		
Reverse polarity protection	yes		

Inputs / outputs

Number of inputs and outputs	Number of analogue outputs: 1
------------------------------	-------------------------------

Outputs

Total number of outputs	1
Output signal	analogue signal
Number of analogue outputs	1
Analogue voltage output [V]	0...10
Min. load resistance [Ω]	2000

PT9553



Pressure transmitter

PT-025-SBG14-B-DVG/US/ W

Measuring/setting range			
Measuring range	0...25 bar	0...363 psi	0...2.5 MPa
Accuracy / deviations			
Repeatability [% of the span]	< ± 0,1; (with temperature fluctuations < 10 K)		
Characteristics deviation [% of the span]	< ± 1,8; (incl. drift when overtightened, zero point and span error)		
Linearity deviation [% of the span]	< ± 0,25 (BFSL) / < ± 0,5 (LS)		
Hysteresis deviation [% of the span]	< ± 0,2		
Long-term stability [% of the span]	< ± 0,1; (per 6 months)		
Temperature coefficient zero point [% of the span / 10 K]	< ± 0,1; (-25...90 °C)		
Temperature coefficient span [% of the span / 10 K]	< ± 0,1; (-25...90 °C)		
Response times			
Step response time analogue output [ms]	8		
Operating conditions			
Ambient temperature [°C]	-25...90		
Storage temperature [°C]	-40...100		
Protection	IP 67; IP 69K		
Tests / approvals			
EMC	EN 61000-4-2 ESD immunity	4 kV CD / 8 kV AD according to the automotive directive 1995/54/EC, 2004/104 EC, 2005/83/EC	
	ISO 11452-2	100 V/m	
	ISO 11452-4	100 mA / severity level 4	
	ISO 7637-2	severity level 4	
	radiation of interference	CISPR 25	
	EN 61000-6-1		
	EN 61000-6-4		
Shock resistance	DIN IEC 68-2-27	50 g (11 ms)	
Vibration resistance	DIN IEC 68-2-6	20 g (10...2000 Hz)	
MTTF [years]	1069		
Pressure Equipment Directive	Sound engineering practice; can be used for group 2 fluids; group 1 fluids on request		
Mechanical data			
Weight [g]	82		
Materials	stainless steel (1.4404 / 316L); PA		
Materials (wetted parts)	stainless steel (1.4404 / 316L); FKM		
Min. pressure cycles	50 million		
Process connection	threaded connection G 1/4 external thread		
Restrictor element integrated	yes		

PT9553



Pressure transmitter

PT-025-SBG14-B-DVG/US/ IW

Remarks

Remarks

BFSL = Best Fit Straight Line

LS = limit value setting

Pack quantity

1 pcs.

Electrical connection

Connector: 1 x M12



Connection

