

# GENERAL PURPOSE DIGITAL PRESSURE GAUGE

## WITH 0.25% TERMINAL POINT ACCURACY

Ranges from Vacuum to 25,000 psi  
(30 inHg to 1724 bar)

### DPG8001 Series



- ✓ 0.25% Full Scale Terminal Point Accuracy Typical
- ✓ Enhanced Value vs. Mechanical Gauge
- ✓ 5 Digit LCD Display with Large 12.2 mm (0.48") Digits
- ✓ 20 Segment Bar Graph Display
- ✓ User-Selectable Engineering Units
- ✓ MIN/MAX Readings
- ✓ Tare Function Standard
- ✓ Environmentally Protected to NEMA 4X (IP65)
- ✓ All Stainless Steel Wetted Parts



DPG8001

The DPG8001 Series digital pressure gauges offer 0.25% full scale terminal point accuracy in a rugged easy-to-use unit and is price comparable to that of mechanical test gauges. All Stainless Steel wetted parts make them suitable for a wide variety of industrial liquids and gaseous media. This series features user-selectable engineering units, allowing one gauge to be used for a variety of pressure scales.

The DPG8001 comes standard with many features that are either not available or extra cost options on many competitive digital gauges such as a tare, 20 segment bar graph MIN/MAX Memory, 9 engineering units and backlighting for easy reading.

### SPECIFICATIONS

**Accuracy:** 0.25% FS terminal point (0.5% full scale terminal point for ranges 15 psi, 30 Vac, 30V15 and 30V30)

**Ranges:** Vacuum through 25,000 psi gauge, vacuum and compound gauge

**Battery:** Two "AA" alkaline included

**Battery Life:** 2000 hr. minimum

**Battery Indicator:** 4 levels

**Media Temperature:** -20 to 80°C (-4 to 176°F)

**Operating Temperature:** -20 to 60°C (-4 to 140°F)

**Temperature Effects:** 0.04%/°F (-20 to 180°F) zero and span

**Update Rate:** 1 Hz

**Cycle Life:** 10 million

**Vibration:** MIL-STD-202G Method 201A

**Shock:** MIL-STD-202G Method 213 B

**Display:** 4 or 5-digit based upon resolution available

**Bar Graph:** 20 segment vertical bar graph

**Digit Height:** 12.2 mm (0.48") upper line; 6.1 mm (0.24") lower line

**Display Indicators:** 4-segment battery life indicator plus dedicated icons for gauge timer, backlight timer, tare, min and max

**View Angle:** 12 o'clock

**Backlight:** Standard, blue

**Enclosure Material (Case and Back):** Polycarbonate/ABS

**Window:** Polycarbonate

**Enclosure Rating:** NEMA 4X (IP67)

**Protective Boot:** Standard

**Serial Number:** Yes

**Proof Pressure**

Vac to <300 psi: 200% range  
 300 to <5000 psi: 150% range  
 5000 to 25,000 psi: 120% range

**Burst Pressure**

Vac to <300 psi: 800% range  
 300 to <5000 psi: 500% range  
 5000 to 25,000 psi: 300% range

**Keypad Functions**

**3 Key with Multi Press Functionality**

**On/Off:** Power symbol and enter  
**Zero:** Zero, tare, and scroll up arrow  
**Menu:** access, backlight, down arrow

**Engineering Units:** psi, bar, inHg, cmHg, mmHg, kPa, mPa, kg/cm<sup>2</sup>, ftH<sub>2</sub>O, custom units, except on compound gauge ranges

**Auto-Off:** Programmable for 1, 5 or 20 minutes or none for on/off

**Display Update:** Adjustable for 1 sec, 500 msec or 250 msec

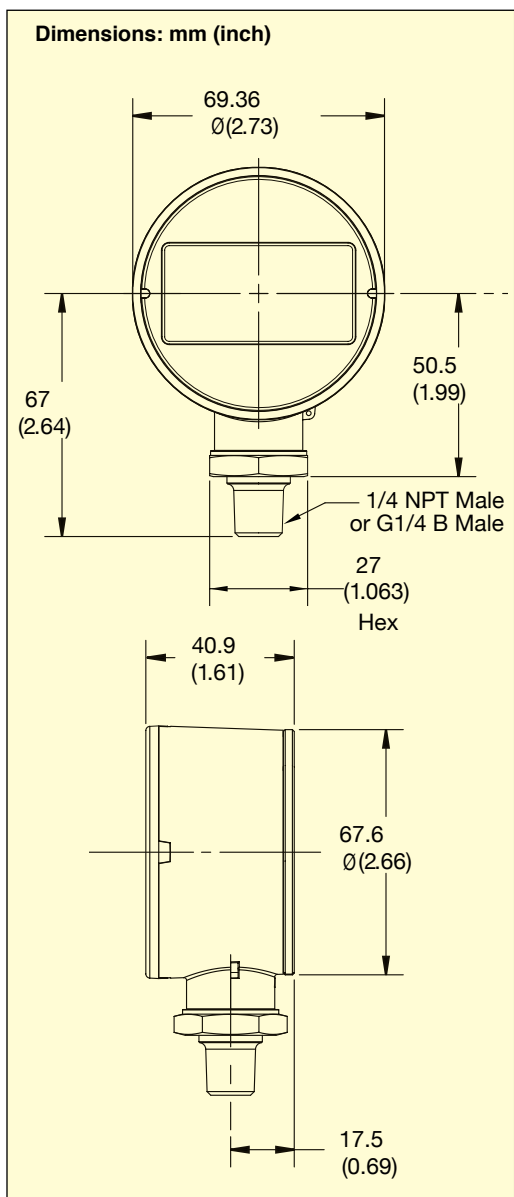
**Agency Approvals:** CE (heavy industrial), ASME B40.7, RoHs, UL 61010/cUL pending

**Connection:** ¼ NPT male, lower position up to 10,000 psi

**>10,000 psi:** 9/16-18 UNF Female AMINCO

**Dimensions:** 27 mm Hex (1 1/16")

**Wetted Parts:** 17-4 SS & 316L SS laser welded



**To Order**

RANGE/RESOLUTION	MODEL NO.
<b>VACUUM AND COMPOUND GAUGE RANGES</b>	
30.00 inHg to 0	<b>DPG8001-VAC</b>
30.00 inHg to 15.00 psi	<b>DPG8001-30V15</b>
30.00 inHg to 30.00 psi	<b>DPG8001-30V30</b>
30.00 inHg to 60.00 psi	<b>DPG8001-30V60</b>
30.00 inHg to 100.0 psi	<b>DPG8001-30V100</b>
30.00 inHg to 150.0 psi	<b>DPG8001-30V150</b>
30.00 inHg to 300.0 psi	<b>DPG8001-30V300</b>
<b>GAUGE PRESSURE (PSI)</b>	
0 to 15.00	<b>DPG8001-15</b>
0 to 30.00	<b>DPG8001-30</b>
0 to 60.00	<b>DPG8001-60</b>
0 to 100.0	<b>DPG8001-100</b>
0 to 200.0	<b>DPG8001-200</b>
0 to 300.0	<b>DPG8001-300</b>
0 to 500.0	<b>DPG8001-500</b>
0 to 1000	<b>DPG8001-1K</b>
0 to 1500	<b>DPG8001-1.5K</b>
0 to 2000	<b>DPG8001-2K</b>
0 to 3000	<b>DPG8001-3K</b>
0 to 5000	<b>DPG8001-5K</b>
0 to 10,000	<b>DPG8001-10K</b>
0 to 15,000	<b>DPG8001-15K†</b>
0 to 20,000	<b>DPG8001-20K†</b>
0 to 25,000	<b>DPG8001-25K†</b>

*Comes complete with protective rubber boot, 2 "AA" batteries, and operator's manual.*  
 † 15,000, 20,000 and 25,000 psi models supplied with female AMINCO 9/16-18 UNF female AMINCO fitting.

**Ordering Examples:** *DPG8001-15*, digital pressure gauge with range of 0 to 15 psi with protective rubber boot and backlight.

**DPG8001-30V30**, digital pressure gauge with range of 30" Hg Vacuum to 30 psi compound gauge pressure with protective rubber boot and backlight.