

BLINDNIETE

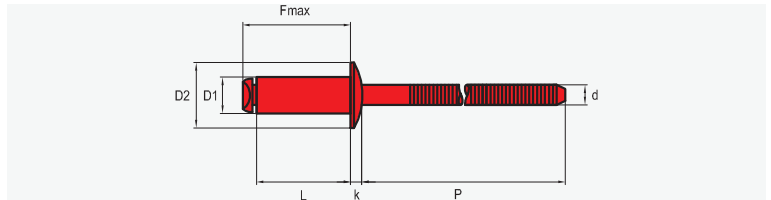
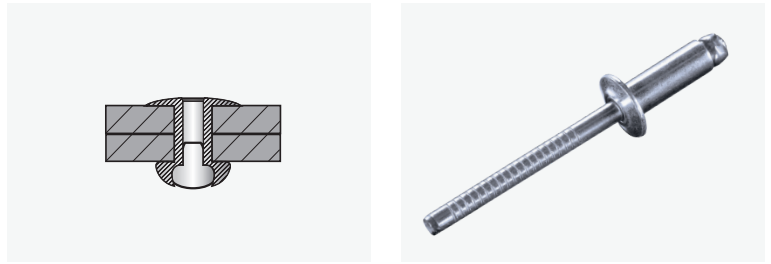
FLACHRUNDKOPF MIT GERILLEM NIETDORN

BLIND RIVETS

DOMED HEAD WITH GROOVED MANDREL

RIVETS AVEUGLES

TÊTE PLATE AVEC CLOU CANNÉLÉ



Edelstahl A4 [1.4401]
Stainless steel A4 [AISI 316]
Acier inox A4 [1.4401]

Edelstahl A4 [1.4401]
Stainless steel A4 [AISI 316]
Acier inox A4 [1.4401]

Ø 5,0 mm

D1 = 5,0 + 0,08 / - 0,15 mm

D2 = 9,5 + 0 / - 1,0 mm


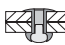




k = 1,1 +/- 0,3 mm

d = 2,9 mm

P ≥ 27,0 mm

L = + 1,0 / - 0,2 mm

 5,1 mm

	F-Max		CODE				
5,0 x 8,0 mm	13,4 mm	2,0 - 4,0 mm	70441 50800	5000 N	6500 N	500	5000
5,0 x 10,0 mm	15,4 mm	4,0 - 6,0 mm	70441 50100			500	5000
5,0 x 12,0 mm	17,4 mm	6,0 - 8,0 mm	70441 50120			500	5000
5,0 x 14,0 mm	19,4 mm	8,0 - 10,0 mm	70441 50140			500	5000
5,0 x 16,0 mm	21,4 mm	10,0 - 12,0 mm	70441 50160			500	5000
5,0 x 18,0 mm	23,4 mm	12,0 - 14,0 mm	70441 50180			500	5000
5,0 x 20,0 mm	25,4 mm	14,0 - 16,0 mm	70441 50200			500	5000