
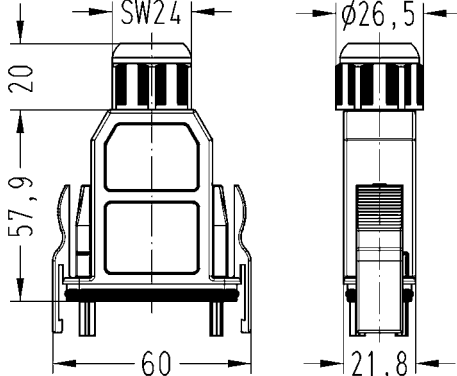
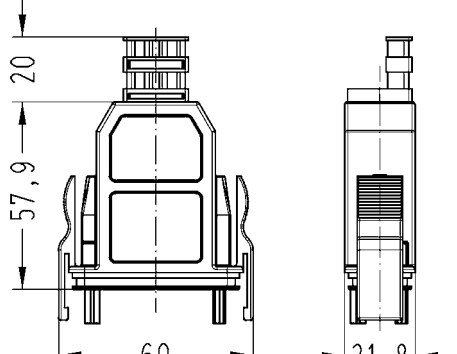

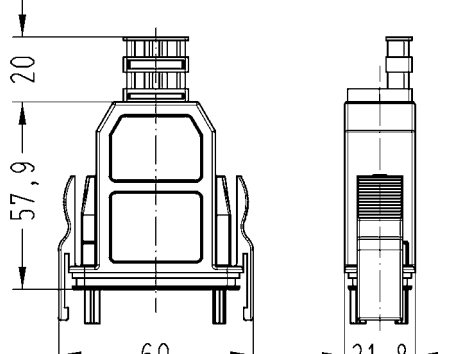
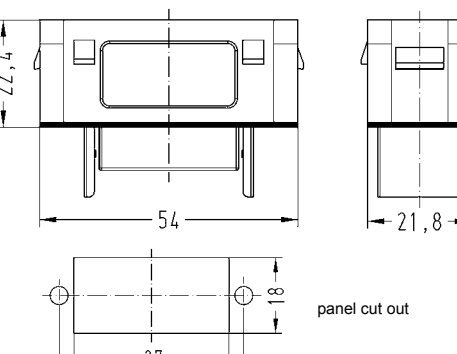

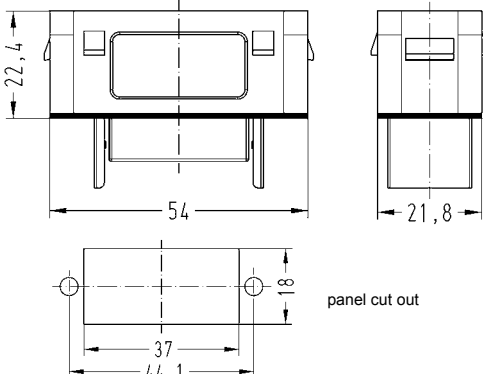






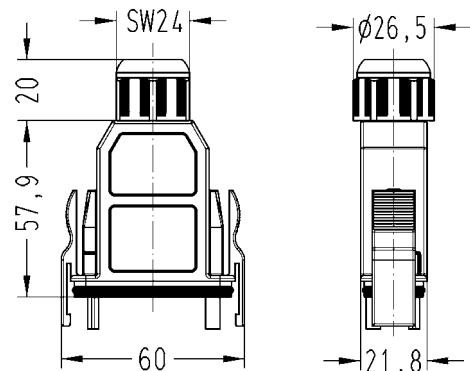

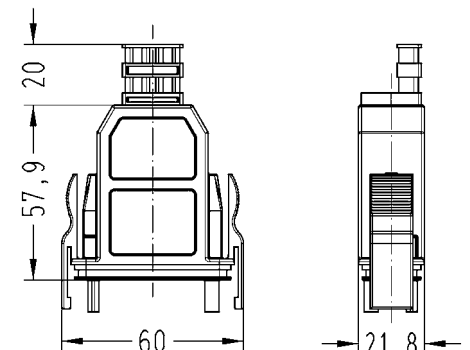

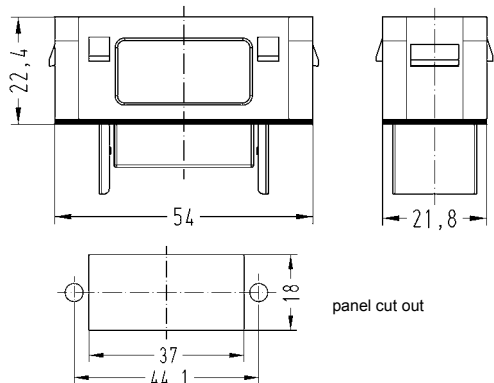




Plastic hoods and housings for 1 module

Identification	Flexible A ... F	Fixed a ... f	Drawings	Dimensions in mm
<p>Hood with PE marking (Pin 1 = PE) IP 65 top entry</p> 	<p>09 14 001 0421</p>			
<p>Hood with PE marking (Pin 1 = PE) IP 20 top entry</p> 	<p>09 14 001 0423</p>			
<p>Bulkhead mounted housing with PE marking (Pin 1 = PE) IP 20 / IP 65</p> 	<p>09 14 001 0321</p>	 <p>panel cut out</p>		
<p>Coding Pin</p> 	<p>09 14 000 9929</p>		<p>Delivery frame: 8 pieces per frame</p>	



Plastic hoods and housings for 1 module

Identification	Flexible A ... F	Fixed a ... f	Drawings	Dimensions in mm
Hood without PE IP 65 top entry 	09 14 001 0420			
Hood without PE IP 20 top entry 	09 14 001 0422			
Bulkhead mounted housing without PE IP 20 / IP 65 	09 14 001 0320			
Coding Pin 	09 14 000 9929			Delivery frame: 8 pieces per frame

Features

- Suitable for all Han-Modular® single modules
- The variant with PE connection uses pin 1 of the Han® module as PE
- Slim, space saving design
- Low cost plastic hoods and housings

Technical characteristics

Specifications	DIN EN 60 664-1 DIN EN 61 984
Material	
Hood/housing	Polycarbonate
Seal	NBR
Cable gland	Polyamide
Limiting temperatures	-40 °C ... +85 °C
Flammability acc. to UL 94	V 0
Mechanical working life	≥ 500 mating cycles
Protection degree acc. to DIN EN 60 529 in locked position	IP 20 / IP 65

Overview of suitable modules

