

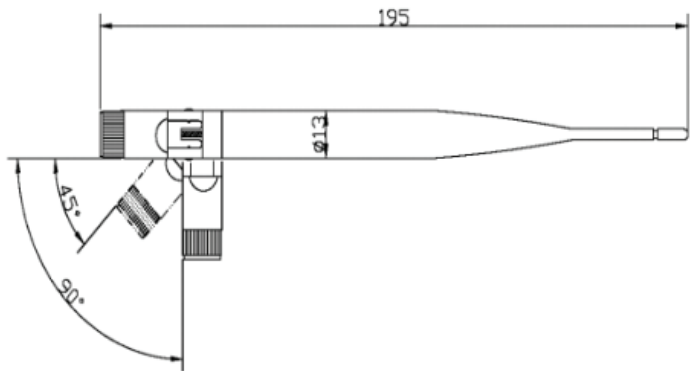
LM252 RP SMA Antenna 5dBi
Dipole for SMA Male Reverse Polarity

Product LM252
Part No LM252
Revised 8/DEC/2016

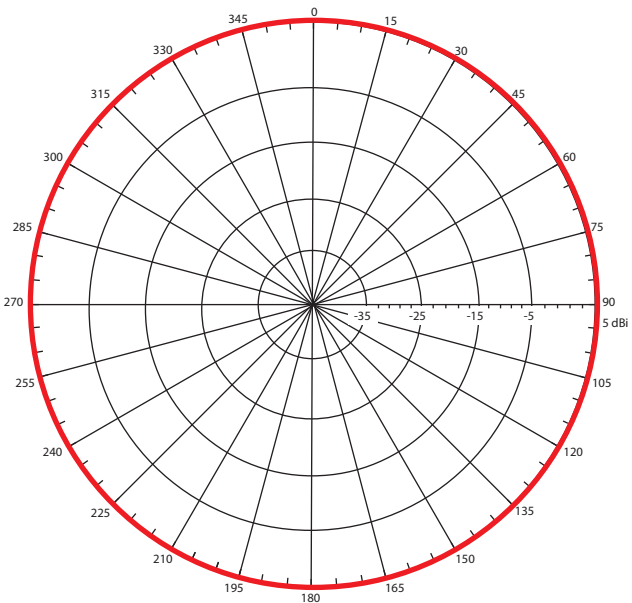


Features

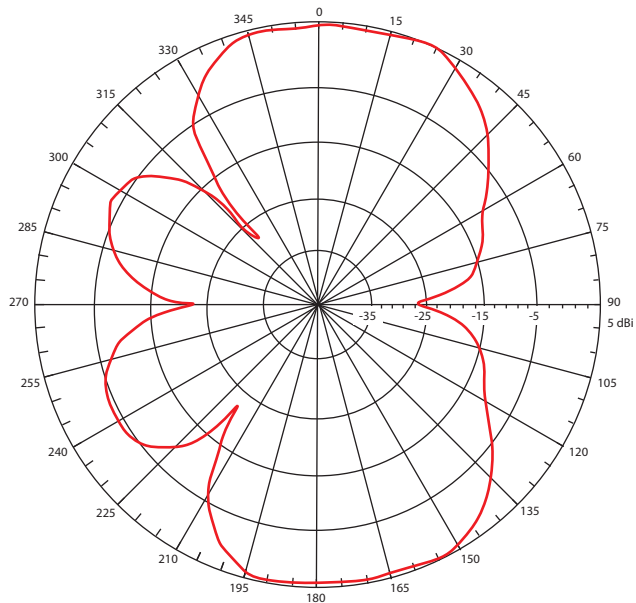
- Type: Dipole
- Frequency: 2400~2500MHz
- Gain: 5dBi
- Polarization: Linear Vertical
- SWR: $\leq 1.5:1$
- Impedance: 50Ω
- Base Connector: SMA Male Reverse Polarity
- Weight: 30g
- Size: H 200mm \times W 13.7mm \times D 13.7mm



H-PLANE



E-PLANE



LM252 RP SMA Antenna 5dBi
Dipole for SMA Male Reverse Polarity

Product
Part No

LM252
LM252

