

EN 14744:2005 (E)

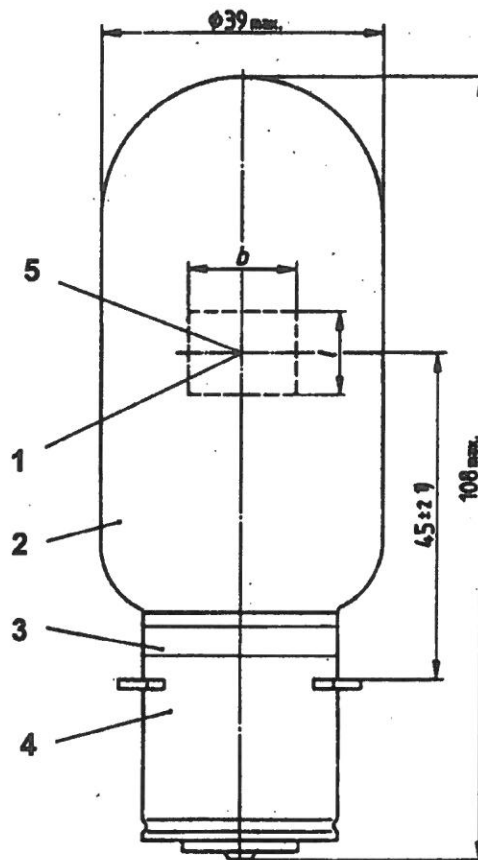
A.2 Incandescent lamps placed on the market for navigation lights

A.2.1 Types of construction

A.2.1.1 Type (B)

Rated voltages 24 V, 115 V and 230 V are approved for type (B) as specified in Table A.1 and Figure A.1.

Dimensions in millimetres



Key

1 Light centre

The permissible deviation for the light centre of the 24 V/40 W lamp is $\pm 1,5$ mm

2 Bulb, clear

3 Marking area

4 Lamp cap P 28 s, cap position L

L Wide tongue of the lamp cap P 28s is on the left-hand side for a vertical lamp looking towards the direction of radiation

5 Permissible deviation of the filament axis from the cap

axis in the light centre = $\pm 1,5$ mm

Figure A.1 — Example of type (B) with lamp cap P 28s and clear bulb

Table A.1 — Rated voltage, nominal wattage, dimensions and test values

Rated voltage V	Nominal wattage W	Max. wattage ^b W	Test values ^a		Filament mm	
			Horizontal luminous intensity ^b Cd	Colour temperature K	<i>b</i>	<i>l</i>
24	40	43	45 to 65	2 360 to 2 856	0,72 ^{+0,1} ₀	13,5 ^{+1,35} ₀
115	60	69			15 ^{+2,5} ₀	11,5 ^{+1,5} ₀
230	65	69				

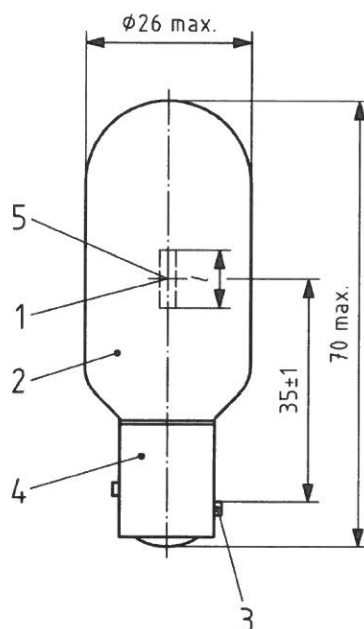
^a Before measuring the initial values, the incandescent lamps are to be aged at the rated voltage for 60 minutes in the position of normal use.

^b In the radiation range $\pm 10^\circ$ relative to the horizontal line through the mid-point of the filament, these values are not to be exceeded or fallen short of when the lamp is rotated through 360° on its axis.

A.2.1.2 Type (E)

Rated voltages 12 V and 24 V are approved for type (E) as indicated in Table A.2 and Figure A.2.

Dimensions in millimetres



Key

- 1 Light centre
- 2 Bulb, clear
- 3 Reference pin
- 4 Lamp cap BAY 15 d
- 5 Permissible deviation of the filament axis from the cap axis in the light centre = ± 1 mm

Figure A.2 — Example of type (E) with lamp cap BAY 15d and clear bulb

EN 14744:2005 (E)

Table A.2 — Rated voltage, nominal wattage, dimensions and test values

Rated voltage V	Nominal wattage W	Max. wattage W	Test values ^a		Filament / mm
			Horizontal luminous intensity ^b cd	Colour temperature K	
12	10	18	12 to 20	2 360 to 2 856	9 to 13
24					9 to 17
12	25	26,5	30 to 48		9 to 13
24					

^a Before measuring the initial values, the incandescent lamps are to be aged at the rated voltage for 60 minutes in the position of normal use.

^b In the radiation range $\pm 30^\circ$ relative to a horizontal line through the mid-point of the filament, these values are not to be exceeded or fallen short of when the lamp is rotated through 360° on its axis.

A.2.2 Lamp caps

The following lamp caps may be selected:

- P 28s as specified in EN 60061-1, see Figure A.1;
- BAY 15d as specified in EN 60061-1, see Figure A.2.