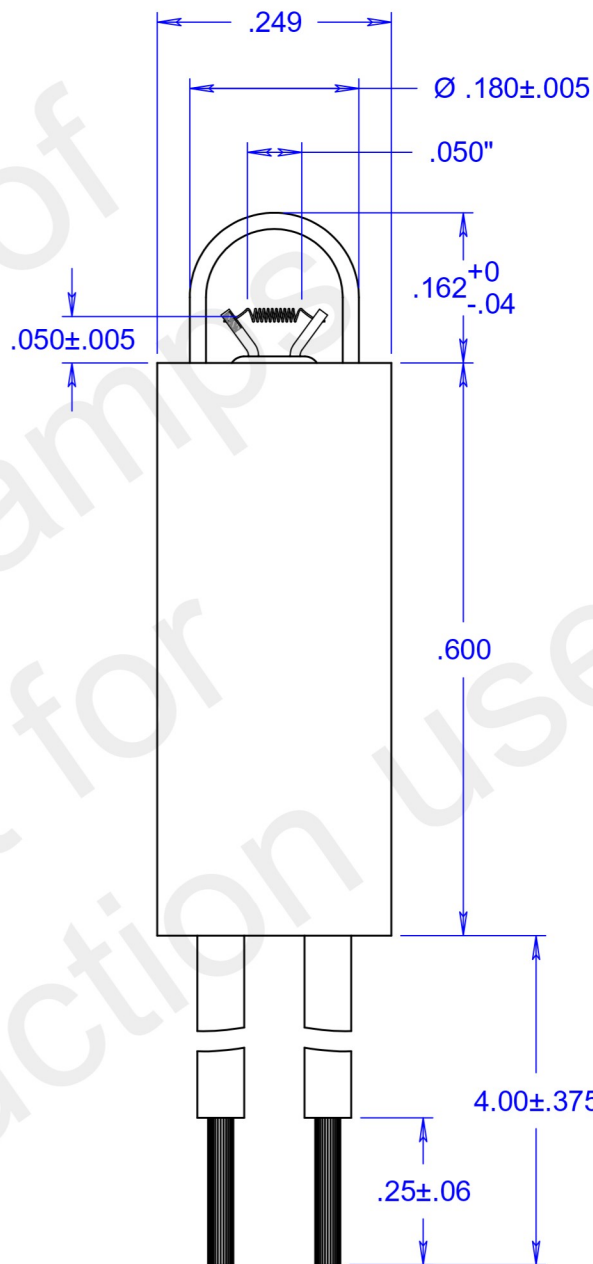


REV	DATE	AUTH	DESCRIPTION
NC	08-20-2018	TC	ORIGINAL ISSUE. ECR4831.



### NOTES:

1. BASE MATERIAL: STAINLESS STEEL
2. WIRE LEADS TO BE 26 AWG TYPE MIL-W-16878D, YELLOW PVC INSULATION & BE POTTED IN CERAMIC CEMENT. LEADS ARE ELECTRICALLY INSULATED FROM THE BASE.
3. DIMENSION  $.050 \pm .005$ " IS FROM TOP OF FLANGE TO THE CENTER OF THE FILAMENT COIL.
4. LEADS TINNED BY MANUFACTURER.
5. DIM  $.050$  IS THE NOMINAL FILAMENT LENGTH & CENTERED WITHIN  $\pm .005$ " OF EACH AXIS WITH RESPECT TO THE BASE O.D.
6. LAMP ENVELOPE SHALL NOT CONTACT A  $.219$ " DIA. CIRCLE WHICH IS CONCENTRIC TO THE BASE O.D.
7. POTTING MUST NOT EXTEND BEYOND THE EDGE OF LAMP BASE.

### SPECIFICATIONS:

VOLTAGE: 3.2 VOLTS  
 CURRENT DRAW:  $.425 \pm 5\%$  AMPS  
 CANDLE POWER:  $.570 \pm 15\%$  MSCP  
 COLOR TEMPERATURE:  $2550 \pm 50^\circ$  K  
 - MEASURED AT FILAMENT COIL'S CENTER USING A TELESCOPING OPTICAL PYROMETER  
 LIFE HOURS (LAB-RATED): 5000

**DISCLAIMER:** Carley Lamps and its replacement medical lamps are not affiliated with Welch Allyn, Heine, Penlon, Rush, Keeler, Truphatek, Timesco, Riester, Gilway or any other medical company mentioned in our brochure. Use of other company names and their product numbers are included solely for the purpose of illustrating the suitability of a given Carley Lamp as a replacement for a specific style in terms of technical compatability and size. Welch Allyn, Heine, Penlon, Rusch, Keeler, Truphatek, Timesco, Riester, Gilway and any other manufacturer of medical products mentioned in this catalogue do not sponsor or endorse the use of Carley Medical Lamps in their medical devices. The references herein to the medical devices and medical lamps made by other manufacturers may include protected trade names or trademarks. All references to the original equipment makers and their parts is for the purposes of identification only, and Carley Lamps is in no way implying that any of it's products are original equipment parts.

TOLERANCES UNLESS OTHERWISE SPECIFIED		DRAWN	DATE	REV	DRWG. NO.
1 PLACE DEC. $\pm .030$ "	ANGLES $\pm .50^\circ$ AMPERES $\pm 10\%$	HF	08-20-2018	NC	40655
2 PLACES DEC. $\pm .010$ "	CANDLE POWER $\pm 15\%$	CHECKED	SCALE		
3 PLACES DEC $\pm .005$	FILAMENT TEMP $\pm 50^\circ$ K COLOR	TC	5X		

CL2291

WELCH ALLYN 997418-10 EQUIVALENT

**CARLEY LAMPS**  
 TORRANCE, CALIFORNIA