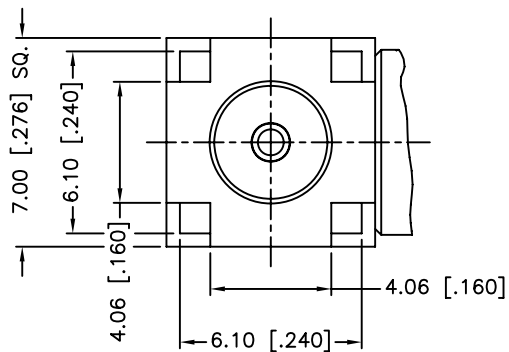
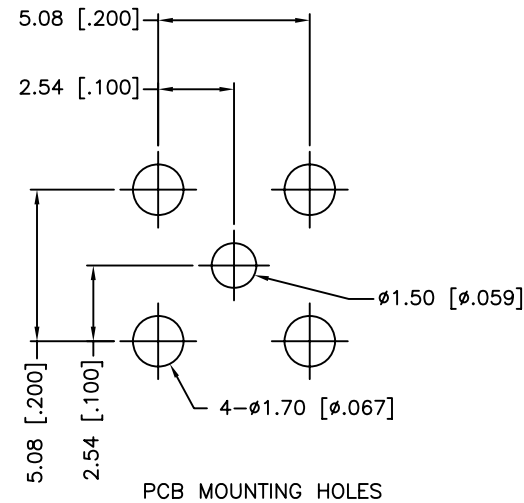
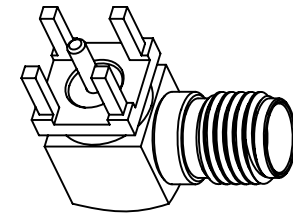
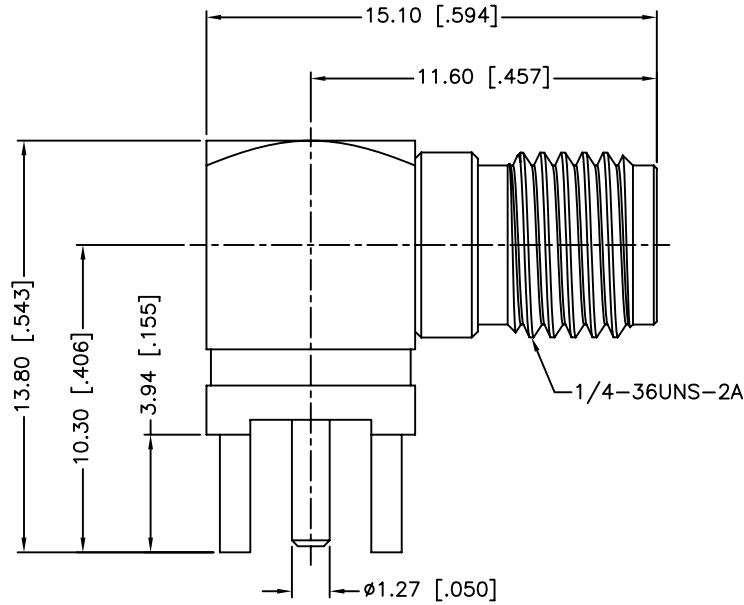


REV.	DATE	ECR NO.	DESCRIPTION
A	07/27/97	XXXXXX	INITIAL RELEASE
B	02/04/03	XXXXXX	UPDATE DRAWING FORMAT
C	05/28/12	2317	CHANGE THE PLATING OF CENTER CONTACT



1. IMPEDANCE: 50 OHM
2. FREQUENCY RANGE: DC 0-6 GHz
3. VSWR: 1.3 MAX.
4. DIELECTRIC WITHSTANDING VOLTAGE: 1000 VRMS, MIN.
5. DURABILITY: 500 CYCLES MIN.
6. TEMPERATURE RANGE: -65°C TO +165°C

UNLESS OTHERWISE SPECIFIED DIMENSIONS ARE IN MILLIMETERS. DIMENSIONS IN [] ARE IN INCHES AND FOR CUSTOMER REFERENCE ONLY.

UNLESS OTHERWISE SPECIFIED TOLERANCES FOR MILLIMETERS ARE:
0.5 - 8mm ± 0.20mm
8 - 30mm ± 0.40mm
30 - 120mm ± 0.50mm

UNLESS OTHERWISE SPECIFIED TOLERANCES FOR INCHES ARE:
.020 - .315 = ± 0.007"
.315 - 1.180 = ± 0.015"
1.180 - 4.724 = ± 0.020"

DO NOT SCALE DRAWING

APPROVALS		DATE
DRAWN	M.ZHANG	05/28/12
CHECKED		
ISSUED		
SHEET	1 OF 1	
CAD FILE	C:/CONNEX/132136.DWG	

<h1>Amphenol Connex</h1>			
PART DESCRIPTION			
<h2>SMA R/A P.C. MOUNT JACK</h2>			
PART NO.			
<h3>132136</h3>			
DWG. NO.	132136.DWG	REV.	C
SIZE	A	SCALE	NA

DESCRIPTION	MATERIAL	FINISH	QTY
4 INSULATOR	PTFE	NATURAL	1
3 CONTACT PIN	BER. COPPER	GOLD	1
2 INSULATOR	PTFE	NATURAL	1
1 HOUSING WITH BODY	BRASS	GOLD	1