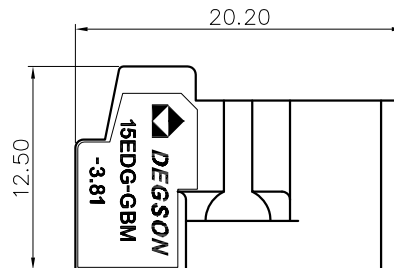
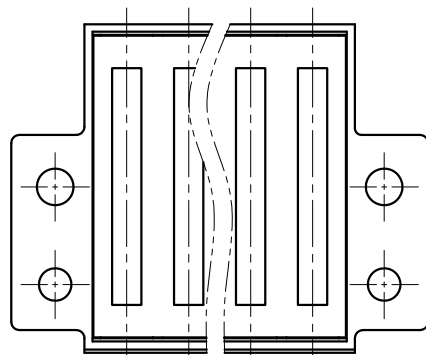
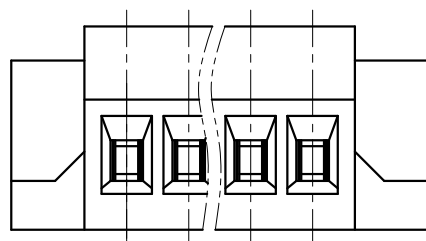
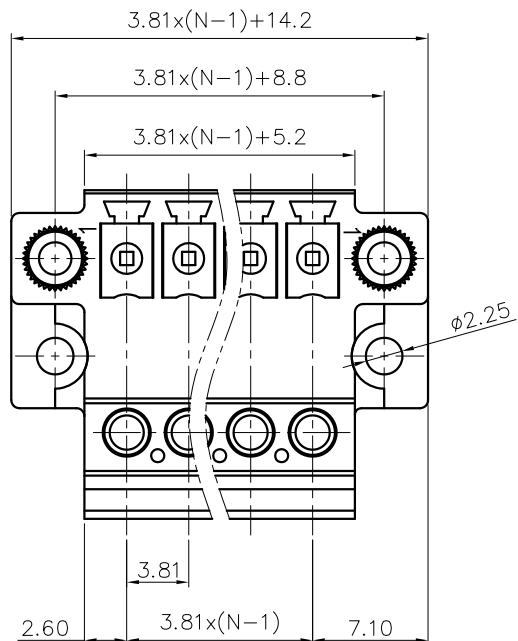


REVISION RECORD

REV	ECN	DESCRIPTION	DRFT	DATE
-----	-----	-------------	------	------



NOTES1:

UL Standard

1. Rated voltage/current : 300V / 8A
2. Withstanding voltage : AC1600V/1Min.
3. Torque value : M2 , 1.77Lb.in
4. Wire range : 30~14AWG

IEC Standard

1. Pollution degree	2
Overvoltage category	II
Rate impulse voltage(KV)	2.5KV
Rate voltage(V)	250V
Rate current(A)	7A

2. Torque value : M2 , 0.2N·m
3. Wire range : 0.2~1.5mm<sup>2</sup>

NOTES2:

1. Dimension shall be interpreted per ASME Y14.5-2009
2. Pitch : 3.81mm, Poles : N=02~16P
3. Stripping length : 6~7mm
4. Operating temperature: -40°C~+105°C
5. Undimensioned tolerances:

Pitch range in mm		Nominal dimension range in mm					-	∩	∇
TO	Over 6 TO 10	Over 10 TO 24	TO 30	Over 30 TO 60	Over 60 TO 100	Over 100 TO 150	0.1/10		
6	±0.15	±0.20	±0.30	±0.30	±0.50	±0.70	±1.00	±1.30	
								±2*	

6. RoHS Compliance

15EDG - GBM - 3.81 - XXP - 1Y - 00A (H)  
 (Series No.) (Pitch) (Poles) (Single Pitch) (Color) 00A-(Standard) (RoHS)

(Color): 1.(Grey)2.(Blue)3.(Black)4.(Green)5.(Orange)  
 6.(Red)7.(Transparent)8.(Yellow)9.(White)

DETACHED LISTS	PART NO.:	/			宁波高松电子有限公司 NINGBO DEGSON ELECTRICAL CO., LTD		
	APPD:	/	NAME:		15EDG-GBM-3.81-XXP-1Y-00A(H)		
	CHKD:	/	TITLE:		CUSTOMER DRAWING	REV	
	DRFT:	/	DRAWING NO.:		/	SHEET	D0
	THIRD ANGLE PROJECTION		DO NOT SCALE DRAWING		SCALE	1:1	