

# Data Sheet

## 5 mm LED Series

### Description

- 100 pcs standard 5 mm LED are supplied in a storage box
- Easy to use and storage
- Widely applied to DIY projects, school science experiments, car decorations, etc.

### Features

- 5 mm round standard 30° directivity
- UV resistant epoxy
- Cool white color
- Water clear

### Technical data

Absolute Maximum Rating (Ta=25 °C)

| Item                       | Symbol    | Value         | Unit |
|----------------------------|-----------|---------------|------|
|                            |           | Cool White    |      |
| DC Forward Voltage         | $I_F$     | 30            | mA   |
| Pulse Forward Current#     | $I_{FP}$  | 100           | mA   |
| Reverse Voltage            | $V_R$     | 5             | V    |
| Power Dissipation          | $P_D$     | 102           | mW   |
| Operating Temperature      | $T_{opr}$ | -30 ~ +85     | °C   |
| Storage Temperature        | $T_{stg}$ | -40 ~ +100    | °C   |
| Lead Soldering Temperature | $T_{sol}$ | 260 °C /5 sec | -    |

# Pulse width Max. 10 ms, Duty ratio max 1/10

### Electrical-Optical Characteristics (Ta=25 °C)

| 5 mm LED                    |              |
|-----------------------------|--------------|
| Light Color                 | Cool White   |
| Lens Color                  | Water Clear  |
| Color Temperature*1         | 8500-18000 K |
| Luminous Intensity (typ.)*2 | 19000 mcd    |
| Forward Voltage*3           | 2.7-3.4 V    |
| Forward Current             | 20 mA        |
| Viewing Angle (typ.)        | 30°          |
| Quantity (pcs)/Box          | 100          |

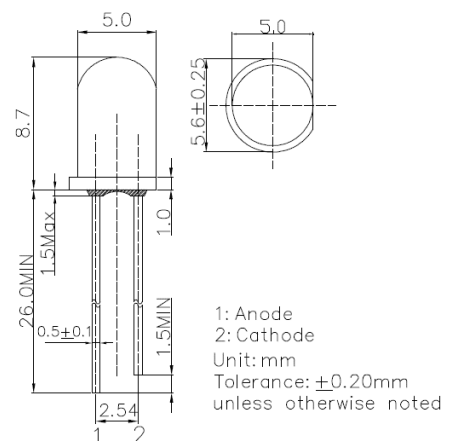
- \*1 Tolerance of measurements of color temperature is  $\pm 10\%$
- \*2 Tolerance of measurements of luminous intensity is  $\pm 15\%$
- \*3 Tolerance of measurements of forward voltage is  $\pm 0.1 V$

### Product Picture

100 pcs/Box (Dimensions: 90 x 65 x 30 mm)



### Outline Dimensions



### Directivity

