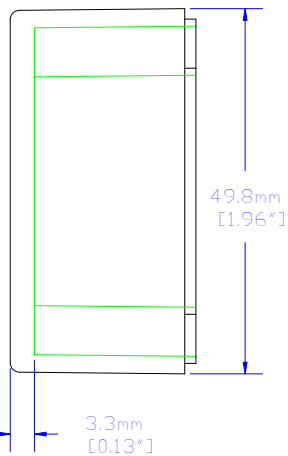
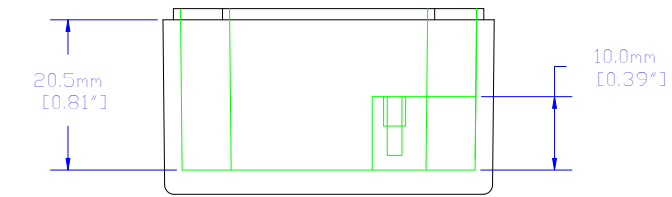
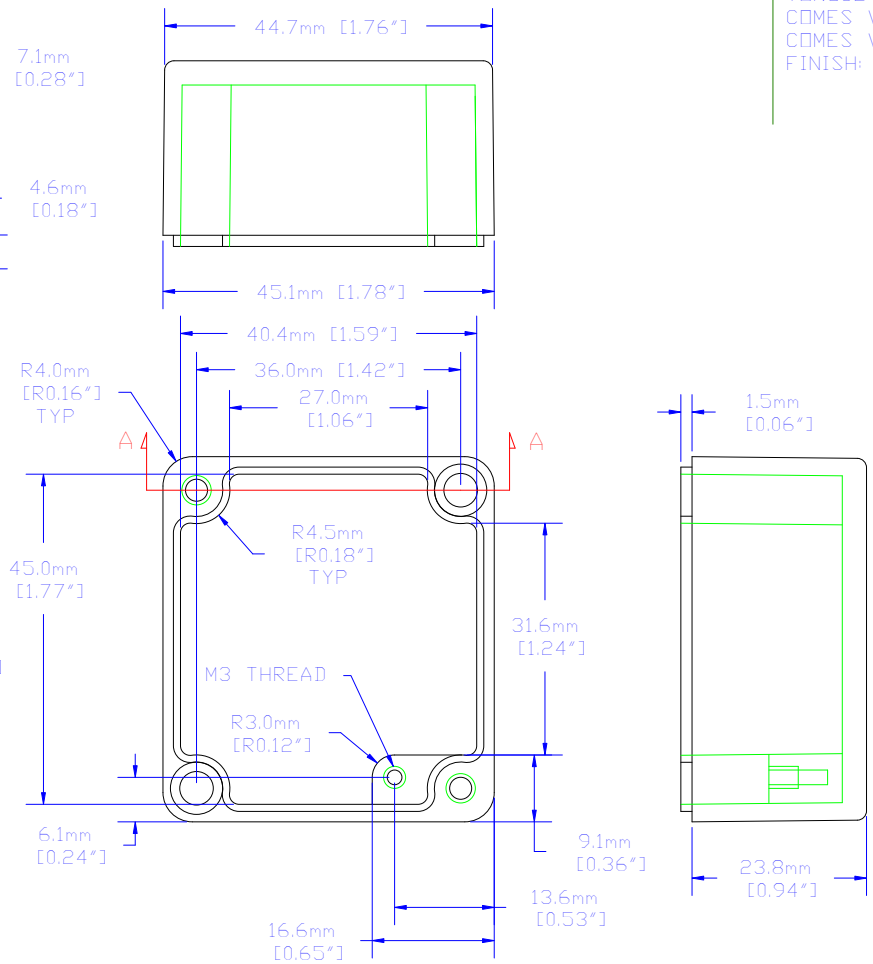


A-A

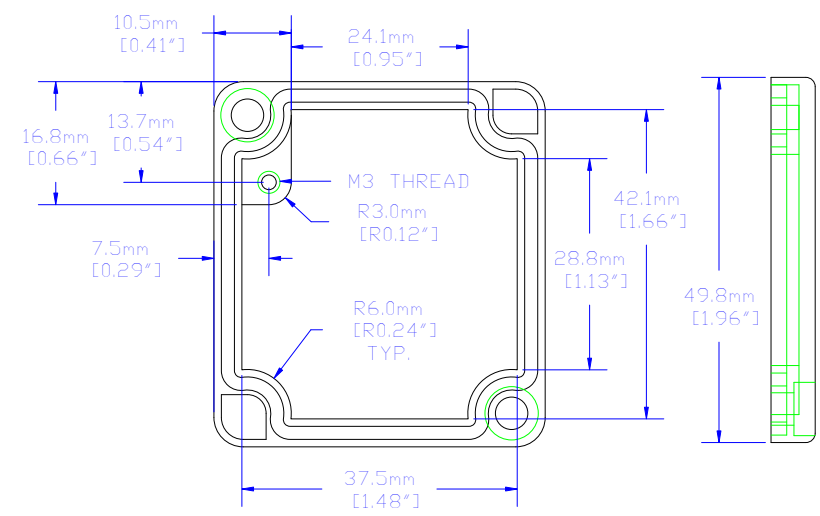
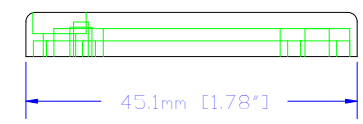


SIDE VIEWS DO NOT DETAIL
SCREW CHANNELS SEE
"A - A" FOR CHANNEL DETAIL

BOX



NOTES
DESIGNED TO MEET THE REQUIREMENTS OF IP65, & NEMA 4X
TONGUE & GROOVE CONSTRUCTION WITH A MOLDED ONE PIECE SILICON GASKET.
COMES WITH 2 STAINLESS STEEL MACHINE LID SCREWS, CAPTIVATED WITH 4 RUBBER O-RINGS.
COMES WITH 2 GROUNDING SCREWS AND WASHERS.
FINISH: NONE OR SUFFIX "BK" BLACK, OR SUFFIX "GY" GRAY (RAL 7001) POLYESTER POWDER



LID

For the best fit print
on legal size paper.

THIS DRAWING IS PROPRIETARY INFORMATION OF
HAMMOND MFG.CO.LTD. NOT TO BE USED WITHOUT
EXPRESSED WRITTEN PERMISSION
OF HAMMOND MFG.CO.LTD.

Rev	ECN	Description	---	10/07/02	MJM
	N/A	RELEASE			

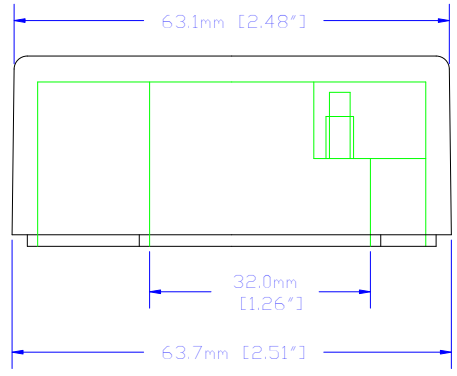
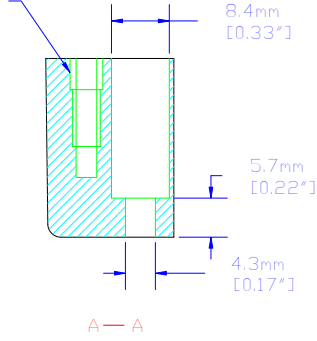
Unless otherwise spec'd
dimensions are in
millimeters Tolerances are:

X	±2.5
.XX	±1.50
.XXX	±.500
.XXXX	±.1300
Holes	±.1300
Angles	±5°

Dwn	M. MERCER
Date	10/07/02
Chk	---
Mat'l	CAST ALUMINUM
Sheet	1 of 1

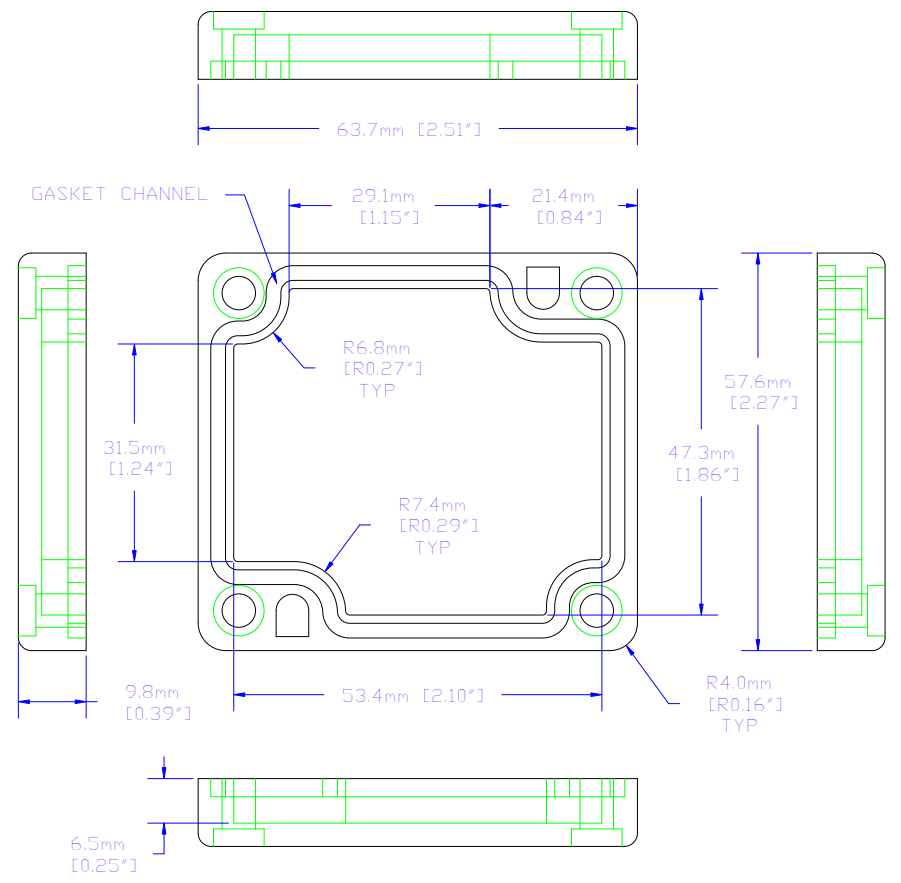
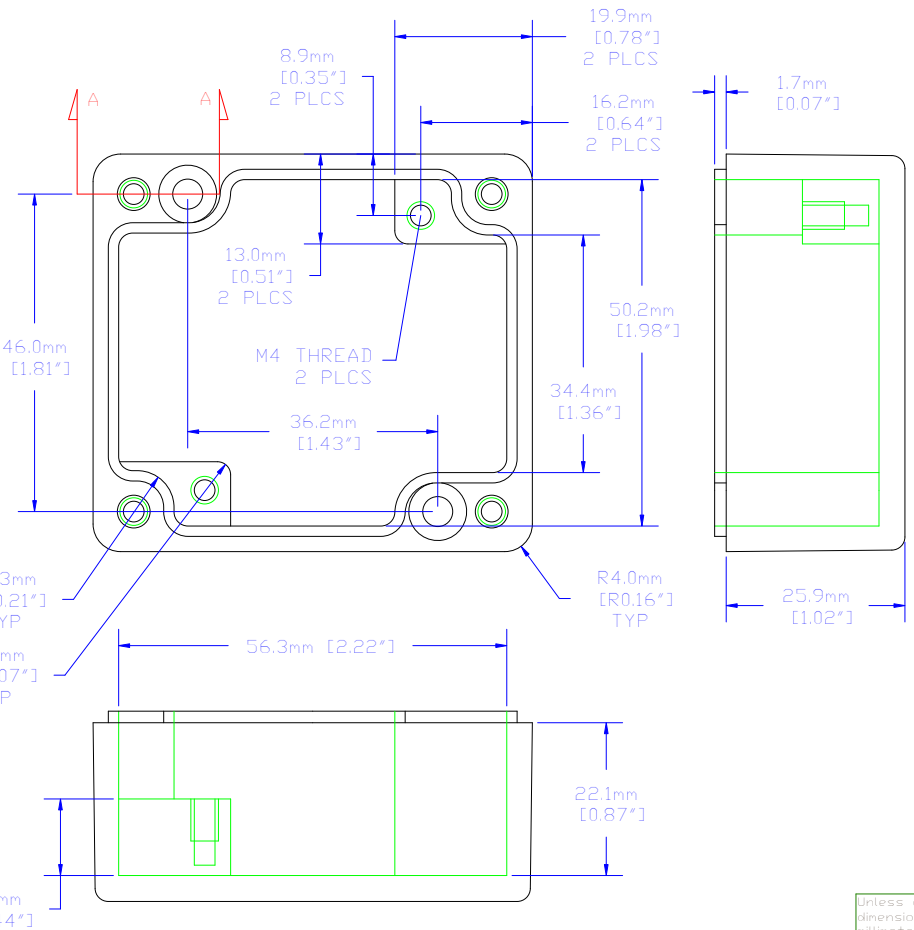
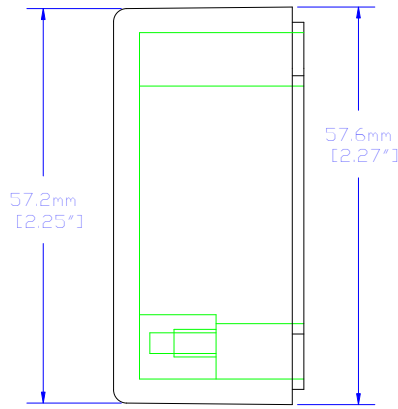
HAMMOND MANUFACTURING CO. LTD. Electronics Group, Waterloo, Ont. - Cheektowaga, NY	HAMMOND 1590Z SERIES CASTED AL ENCLOSURES	
	Part # 1590Z060	Dwg 1590Z060/A

M4 THREAD FOR LID
SCREWS 4 PLACES



NOTES

DESIGNED TO MEET THE REQUIREMENTS OF IP65, & NEMA 4X
TONGUE & GROOVE CONSTRUCTION WITH A MOLDED ONE PIECE SILICON GASKET.
COMES WITH 4 STAINLESS STEEL MACHINE LID SCREWS, CAPTIVATED WITH 4 RUBBER O-RINGS.
COMES WITH 2 GROUNDING SCREWS AND WASHERS.
FINISH: NONE OR SUFFIX "BK" BLACK, OR SUFFIX "GY" GRAY (RAL 7001) POLYESTER POWDER



SIDE VIEWS DO NOT DETAIL
SCREW CHANNELS SEE
"A - A" FOR CHANNEL DETAIL

BOX

LID

For the best fit print
on legal size paper.

THIS DRAWING IS PROPRIETARY INFORMATION OF
HAMMOND MFG.CO.LTD. NOT TO BE USED WITHOUT
EXPRESSED WRITTEN PERMISSION
OF HAMMOND MFG.CO.LTD.

△	N/A	RELEASE	---	10/10/02	MJM
Rev	ECN	Description		Date	By

Unless otherwise spec'd
dimensions are in
millimeters Tolerances are:

X ±2.5
.XX ±1.50
.XXX ±.500
.XXXX ±.1300
Holes ±.1300
Angles ±5°

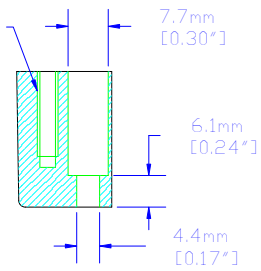
Dwn	M. MERCER
Date	10/10/02
Chk	---
Mat'l	CAST ALUMINUM
Sheet	1 of 1

HAMMOND MANUFACTURING CO. LTD.
Electronics Group, Waterloo, Ont. - Cheektowaga, NY

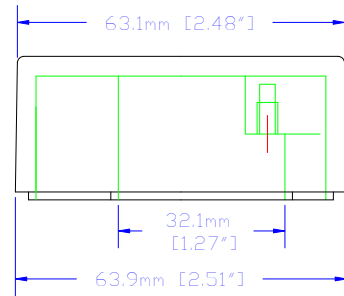
HAMMOND 1590Z SERIES
CASTED AL ENCLOSURES

Part # 1590Z061 Dwg: 1590Z061/A

M4 THREAD FOR LID
SCREWS 4 PLACES

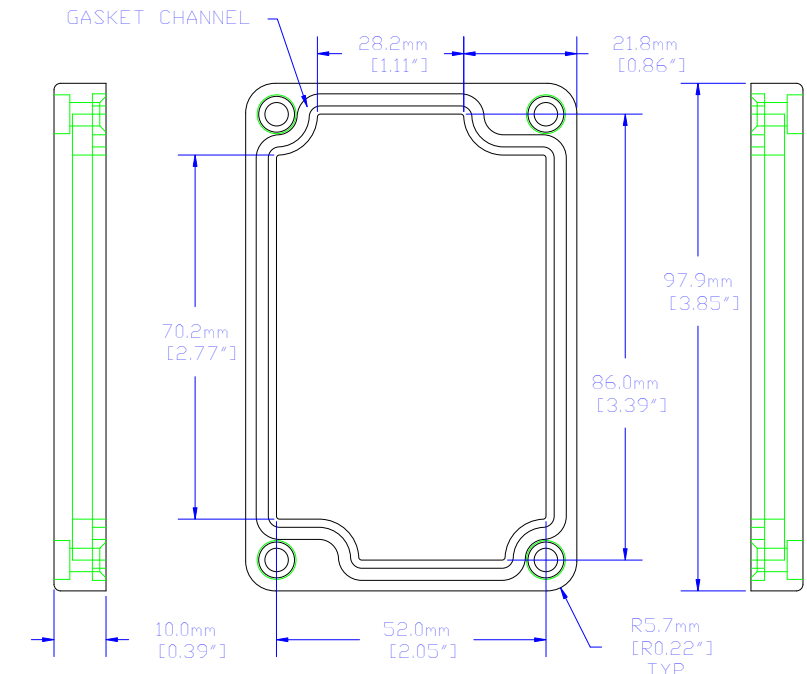
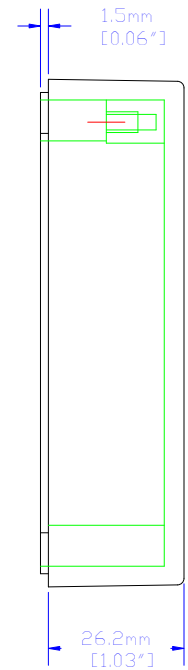
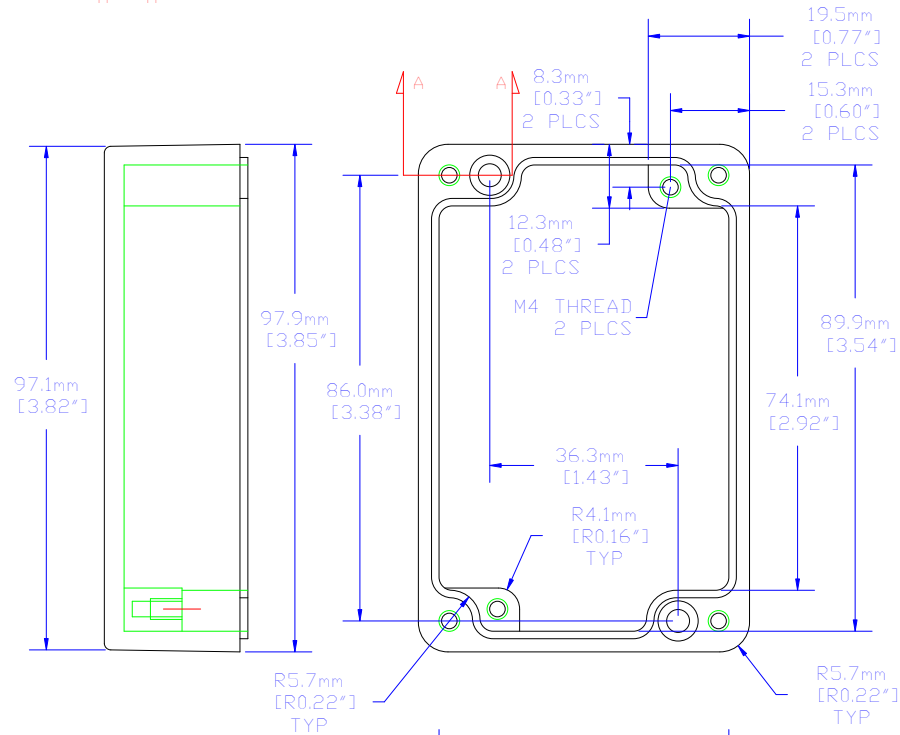
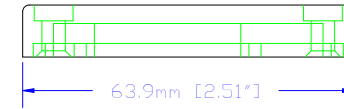


A - A

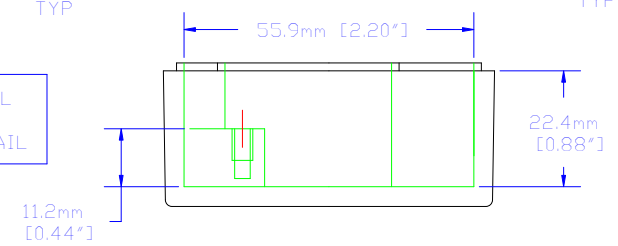


NOTES

DESIGNED TO MEET THE REQUIREMENTS OF IP65, & NEMA 4X
TONGUE & GROOVE CONSTRUCTION WITH A MOLDED ONE PIECE SILICON GASKET.
COMES WITH 4 STAINLESS STEEL MACHINE LID SCREWS, CAPTIVATED WITH 4 RUBBER O-RINGS.
COMES WITH 2 GROUNDING SCREWS AND WASHERS.
FINISH: NONE OR SUFFIX "BK" BLACK, OR SUFFIX "GY" GRAY (RAL 7001) POLYESTER POWDER



SIDE VIEWS DO NOT DETAIL
SCREW CHANNELS SEE
"A - A" FOR CHANNEL DETAIL



BOX

LID

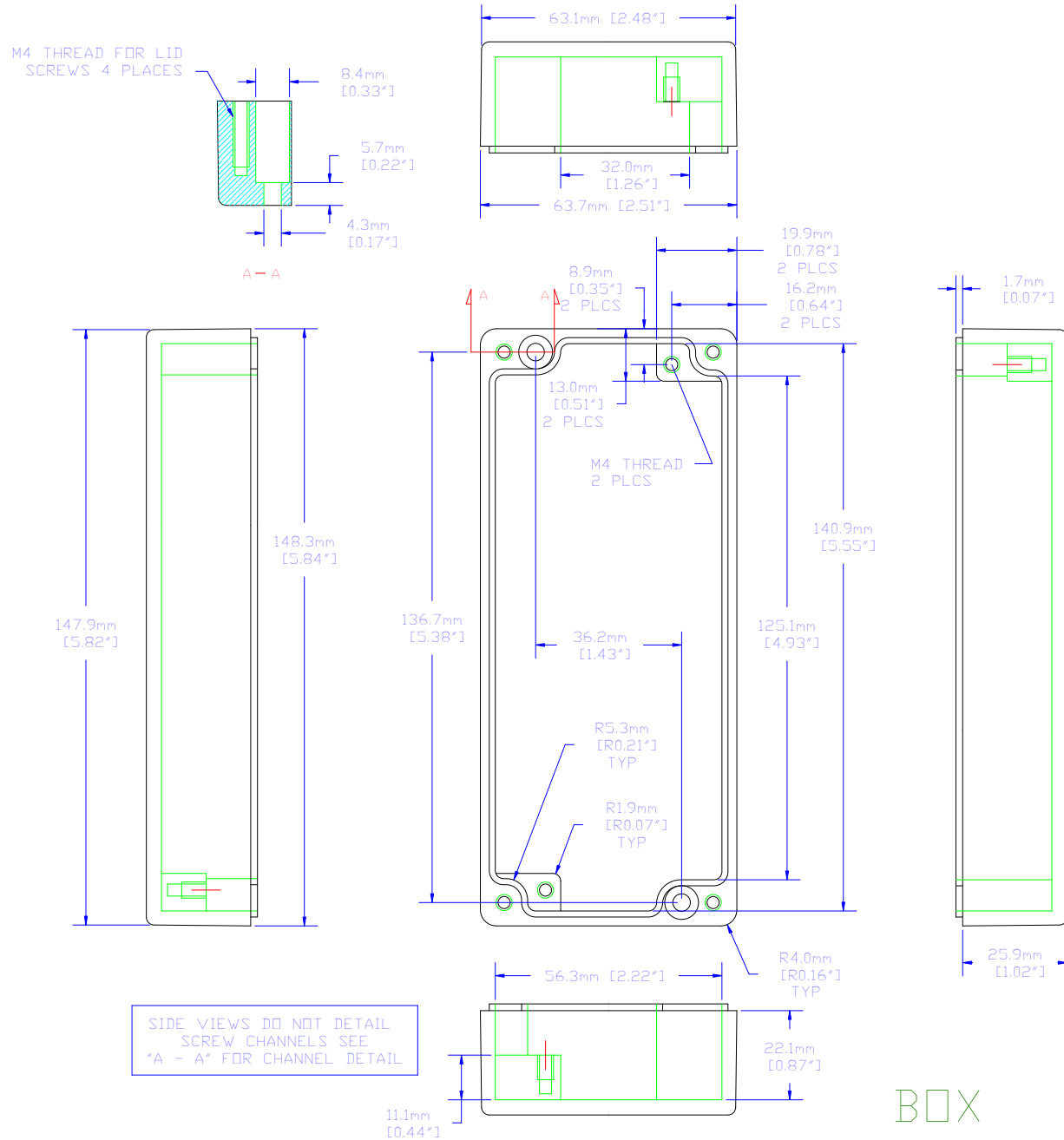
For the best fit print
on legal size paper.

THIS DRAWING IS PROPRIETARY INFORMATION OF
HAMMOND MFG.CO.LTD. NOT TO BE USED WITHOUT
EXPRESSED WRITTEN PERMISSION
OF HAMMOND MFG.CO.LTD.

△	N/A	RELEASE	---	10/14/02	MJM
Rev	ECN	Description		Date	By

Unless otherwise spec'd dimensions are in millimeters Tolerances are:		Dwn	M. MERCER
X	±2.5	Date	10/14/02
.XX	±1.50	Chk	---
.XXX	±.500	Mat'l	CAST ALUMINUM
.XXXX	±.1300		
Holes	±.1300		
Angles	±5°	Sheet	1 of 1

HAMMOND MANUFACTURING CO. LTD. Electronics Group, Waterloo, Ont. - Cheektowaga, NY	
HAMMOND 1590Z SERIES CASTED AL ENCLOSURES	
Part #	1590Z062
Dwg:	1590Z062/A

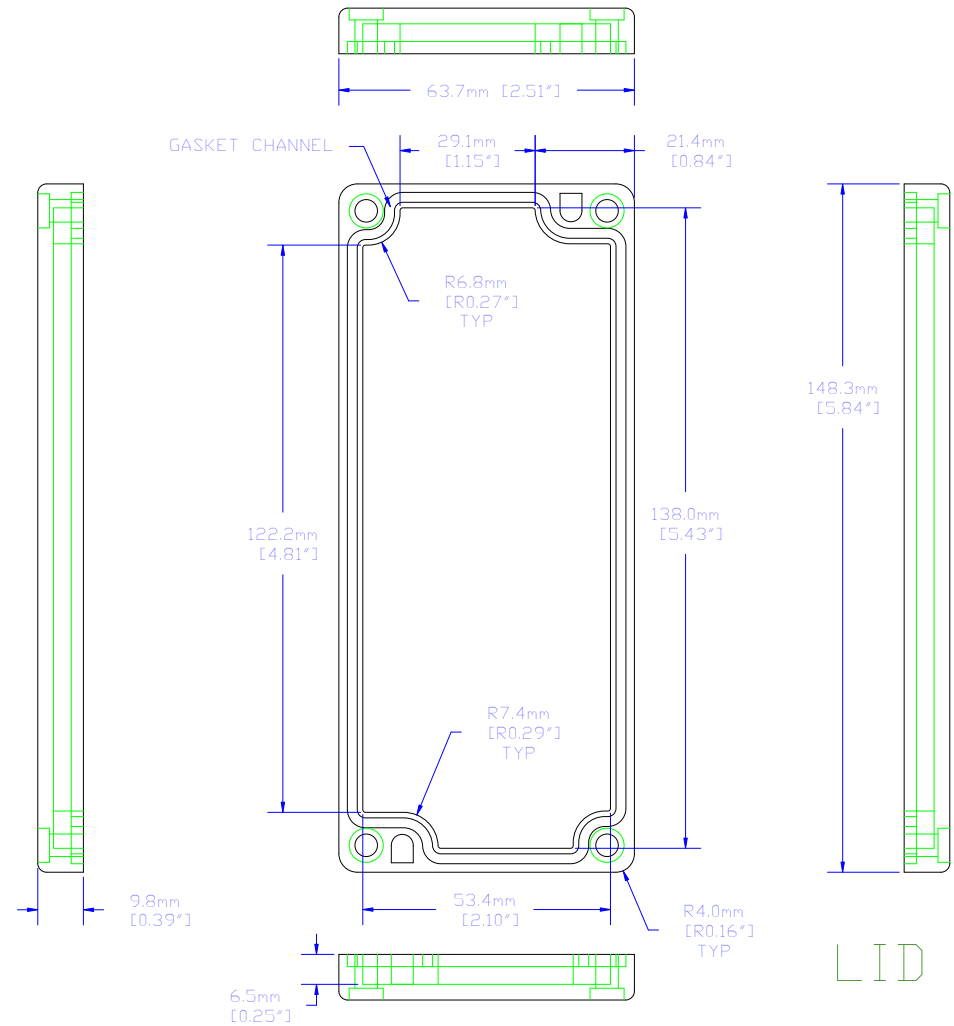


SIDE VIEWS DO NOT DETAIL SCREW CHANNELS SEE "A - A" FOR CHANNEL DETAIL

BOX

NOTES

DESIGNED TO MEET THE REQUIREMENTS OF IP65, & NEMA 4X
 TONGUE & GROOVE CONSTRUCTION WITH A MOLDED ONE PIECE SILICON GASKET.
 COMES WITH 4 STAINLESS STEEL MACHINE LID SCREWS, CAPTIVATED WITH 4 RUBBER O-RINGS.
 COMES WITH 2 GROUNDING SCREWS AND WASHERS.
 FINISH: NONE OR SUFFIX "BK" BLACK, OR SUFFIX "GY" GRAY (RAL 7001) POLYESTER POWDER



For the best fit print on legal size paper.

THIS DRAWING IS PROPRIETARY INFORMATION OF HAMMOND MFG.CO.LTD. NOT TO BE USED WITHOUT EXPRESSED WRITTEN PERMISSION OF HAMMOND MFG.CO.LTD.

△	N/A	RELEASE	---	10/19/02	MJM
Rev	ECN	Description		Date	By

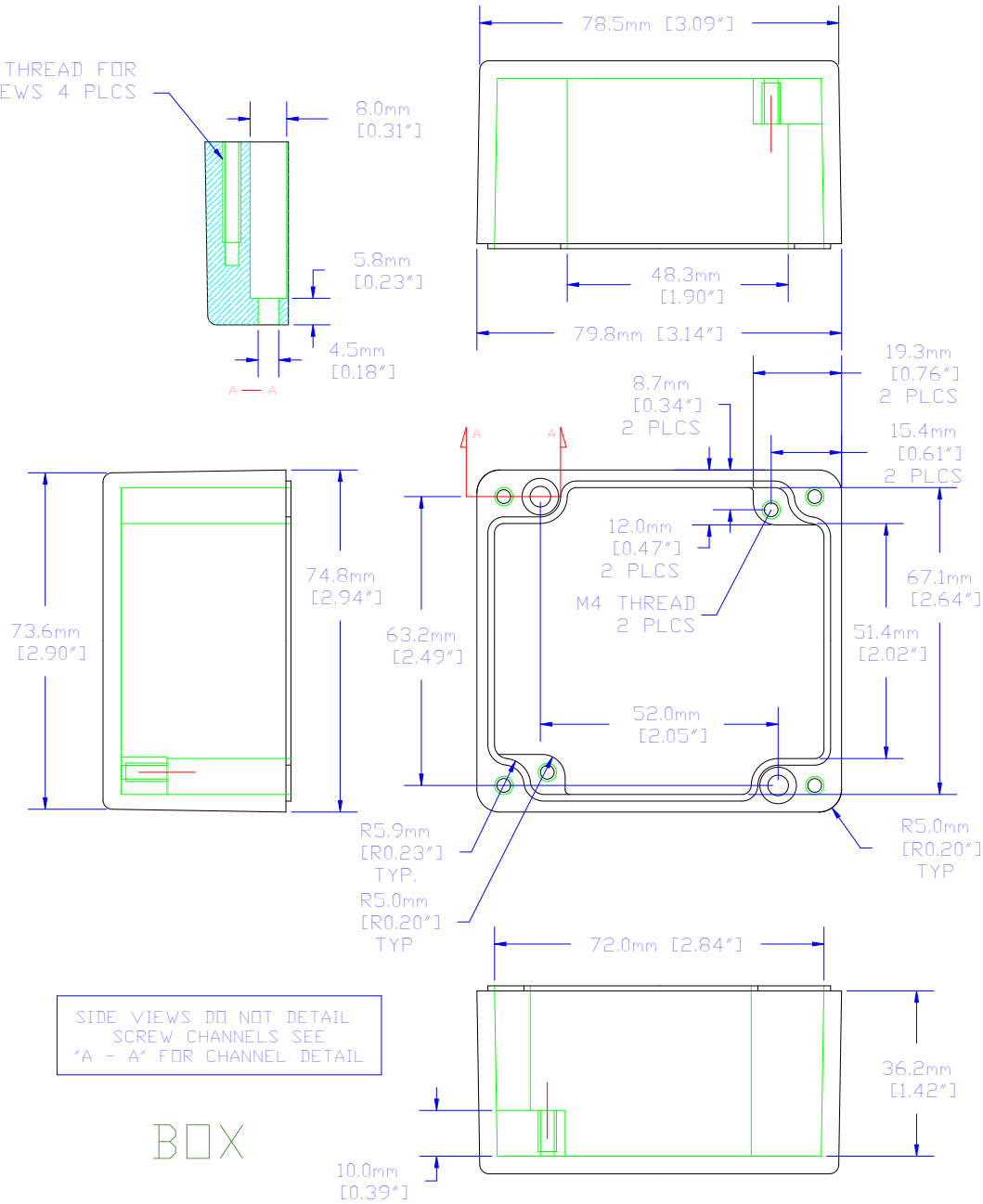
Unless otherwise spec'd dimensions are in millimeters Tolerances are:

X	±2.5
.XX	±1.50
.XXX	±.500
.XXXX	±.1300
Holes	±.1300
Angles	±5°

Dwn	M. MERCER
Date	10/19/02
Chk	---
Mat'l	CAST ALUMINUM
Sheet	1 of 1

HAMMOND MANUFACTURING CO. LTD. Electronics Group, Waterloo, Ont. - Cheektowaga, NY	
HAMMOND 1590Z SERIES CASTED AL ENCLOSURES	
Part #:	1590Z063
Dwg:	1590Z063/A

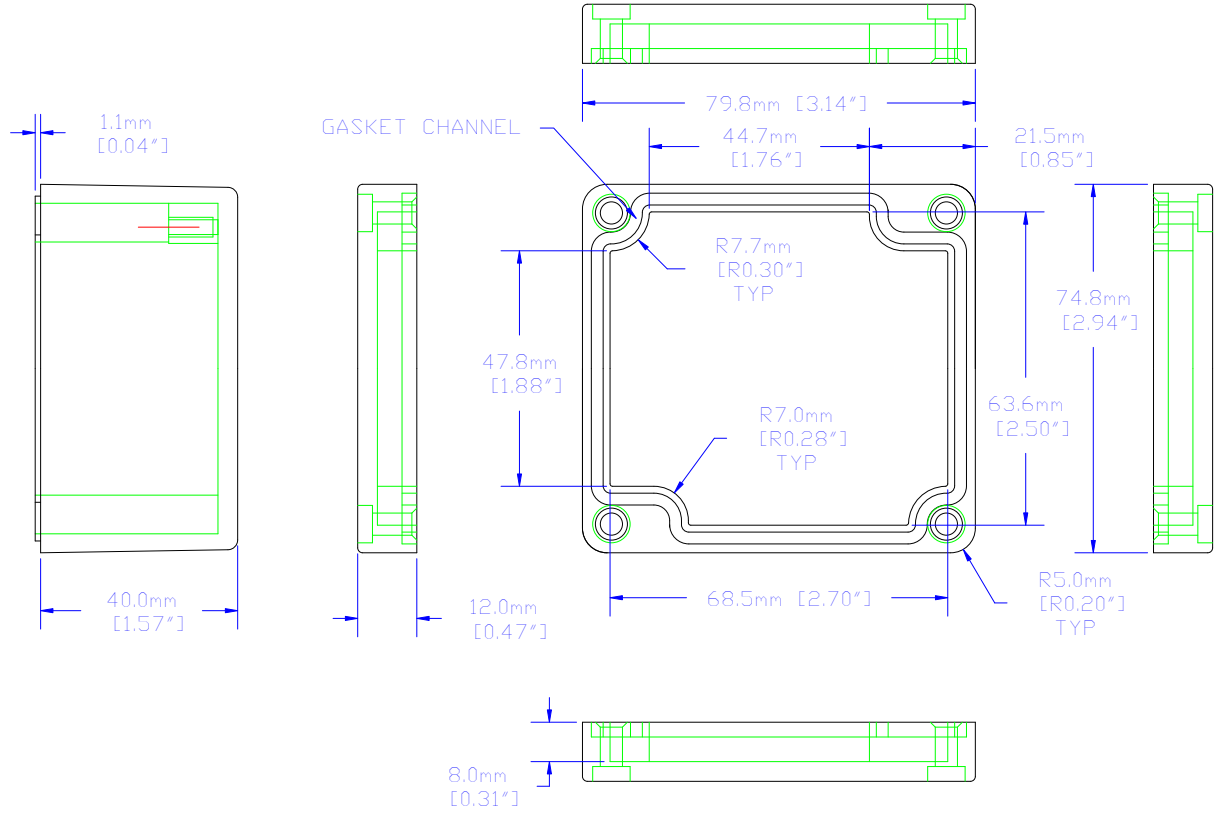
M4 THREAD FOR LID SCREWS 4 PLCS



SIDE VIEWS DO NOT DETAIL SCREW CHANNELS SEE "A - A" FOR CHANNEL DETAIL

BOX

NOTES
 DESIGNED TO MEET THE REQUIREMENTS OF IP65, & NEMA 4X
 TONGUE & GROOVE CONSTRUCTION WITH A MOLDED ONE PIECE SILICON GASKET.
 COMES WITH 4 STAINLESS STEEL MACHINE LID SCREWS, CAPTIVATED WITH 4 RUBBER O-RINGS.
 COMES WITH 2 GROUNDING SCREWS AND WASHERS.
 FINISH: NONE OR SUFFIX "BK" BLACK, OR SUFFIX "GY" GRAY (RAL 7001) POLYESTER POWDER



LID

For the best fit print on legal size paper.

THIS DRAWING IS PROPRIETARY INFORMATION OF HAMMOND MFG.CO.LTD. NOT TO BE USED WITHOUT EXPRESSED WRITTEN PERMISSION OF HAMMOND MFG.CO.LTD.

△	N/A	RELEASE	---	10/10/02	MJM
Rev	ECN	Description		Date	By

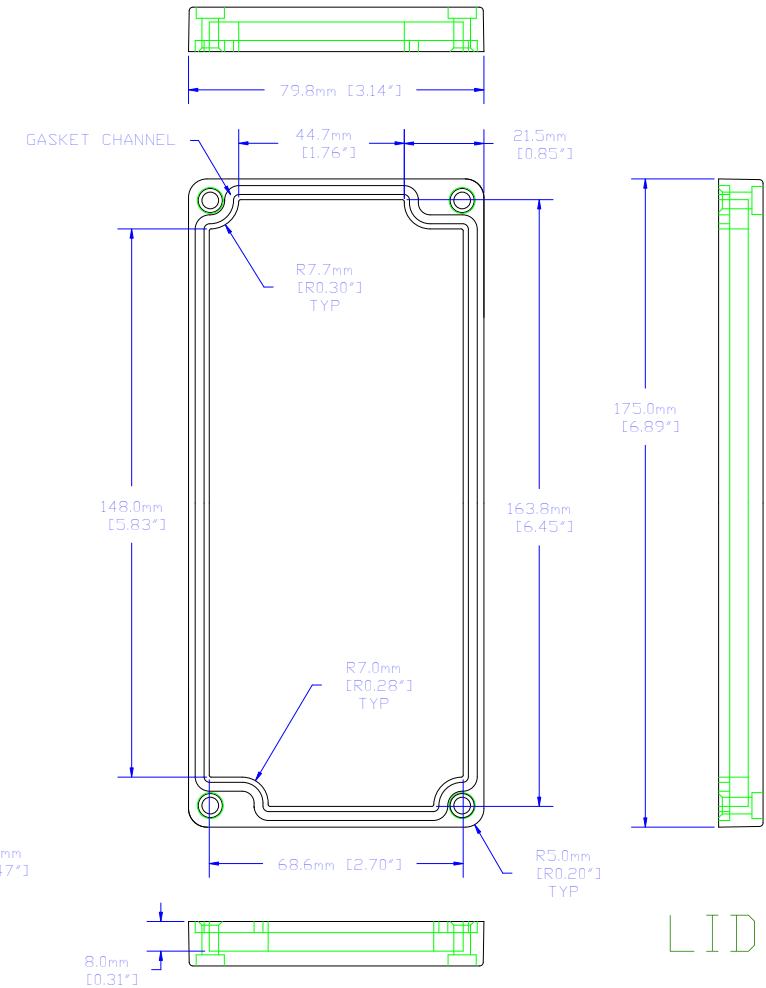
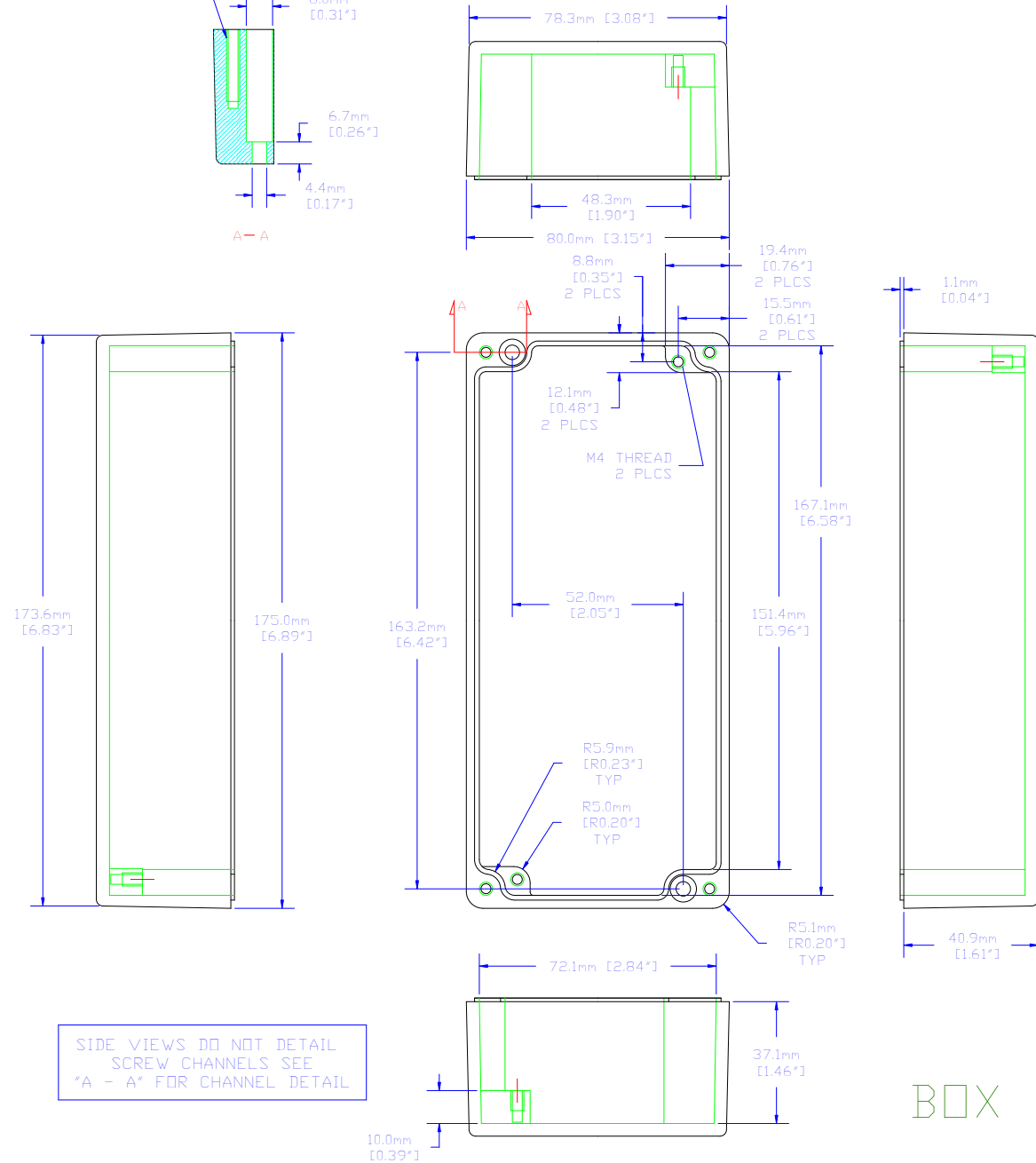
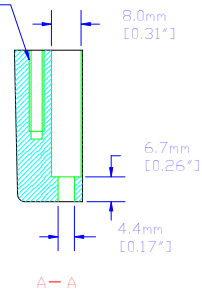
Unless otherwise spec'd dimensions are in millimeters Tolerances are:		Dwn	M. MERCER
X	±2.5	Date	10/10/02
.XX	±1.50	Chk	---
.XXX	±.500	Mat'l	CAST ALUMINUM
.XXXX	±.1300		
Holes	±.1300	Sheet	1 of 1
Angles	±5°	Part #	1590Z110

HAMMOND MANUFACTURING CO. LTD. Electronics Group, Waterloo, Ont. - Cheektowaga, NY	
HAMMOND 1590Z SERIES CASTED AL ENCLOSURES	
Dwg:	1590Z110/A

NOTES

DESIGNED TO MEET THE REQUIREMENTS OF IP65, & NEMA 4X
 TONGUE & GROOVE CONSTRUCTION WITH A MOLDED ONE PIECE SILICON GASKET.
 COMES WITH 4 STAINLESS STEEL MACHINE LID SCREWS, CAPTIVATED WITH 4 RUBBER O-RINGS.
 COMES WITH 2 GROUNDING SCREWS AND WASHERS.
 FINISH: NONE OR SUFFIX "BK" BLACK, OR SUFFIX "GY" GRAY (RAL 7001) POLYESTER POWDER

M4 THREAD FOR LID
 SCREWS 4 PLACES



SIDE VIEWS DO NOT DETAIL
 SCREW CHANNELS SEE
 "A - A" FOR CHANNEL DETAIL

BOX

LID

For the best fit print
 on legal size paper.

THIS DRAWING IS PROPRIETARY INFORMATION OF
 HAMMOND MFG.CO.LTD. NOT TO BE USED WITHOUT
 EXPRESSED WRITTEN PERMISSION
 OF HAMMOND MFG.CO.LTD.

△	N/A	RELEASE	---	10/25/02	MJM
Rev	ECN	Description		Date	By

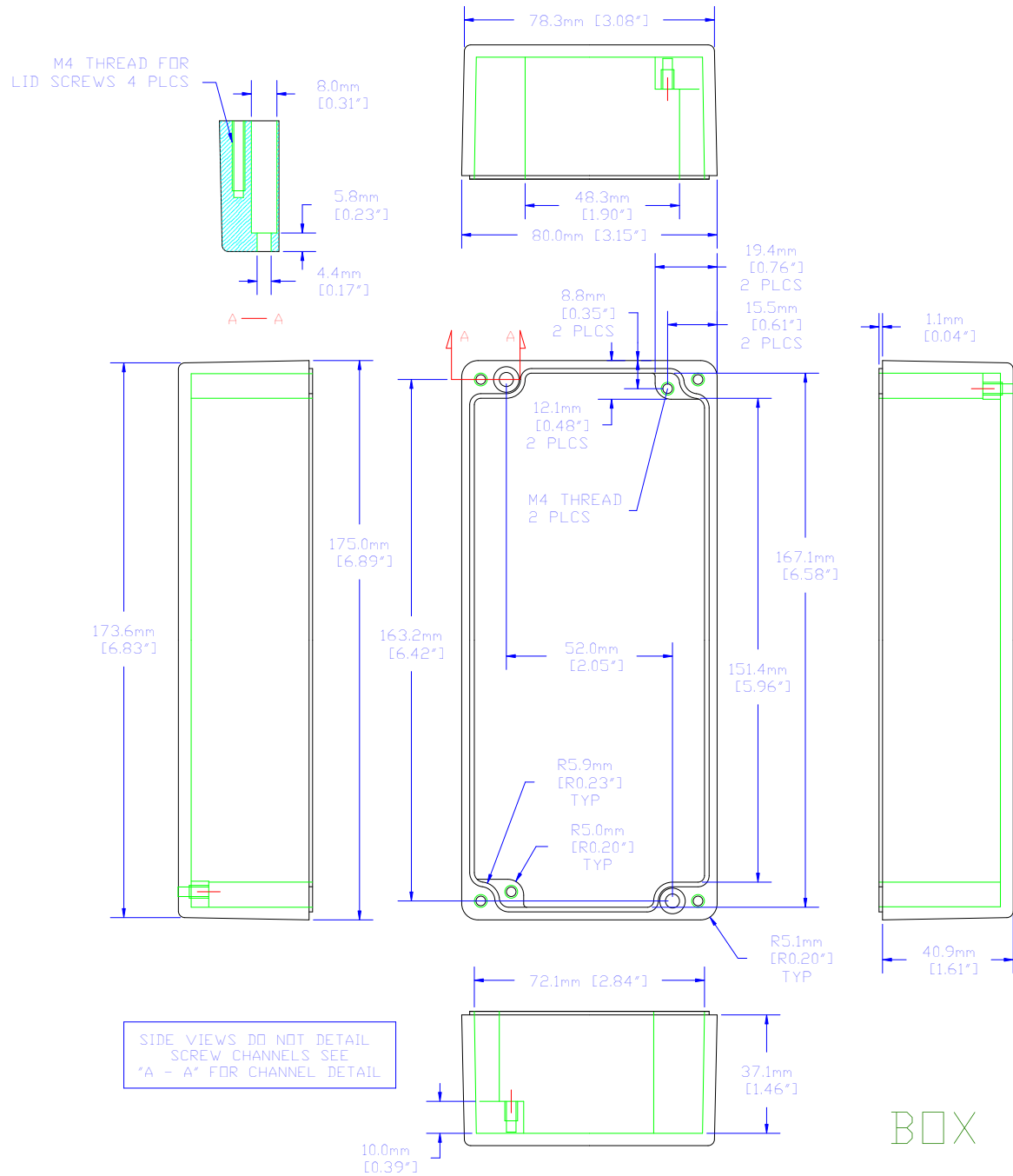
Unless otherwise spec'd
 dimensions are in
 millimeters Tolerances are:

X ±.25
 .XX ±.50
 .XXX ±.500
 .XXXX ±.1300
 Holes ±.1300
 Angles ±5°

Dwn	M. MERCER
Date	10/25/02
Chk	---
Mat'l	CAST ALUMINUM

HAMMOND MANUFACTURING CO. LTD. Electronics Group, Waterloo, Ont. - Cheektowaga, NY	
HAMMOND 1590Z SERIES CASTED AL ENCLOSURES	
Part #:	1590Z130
Dwg:	1590Z130/A

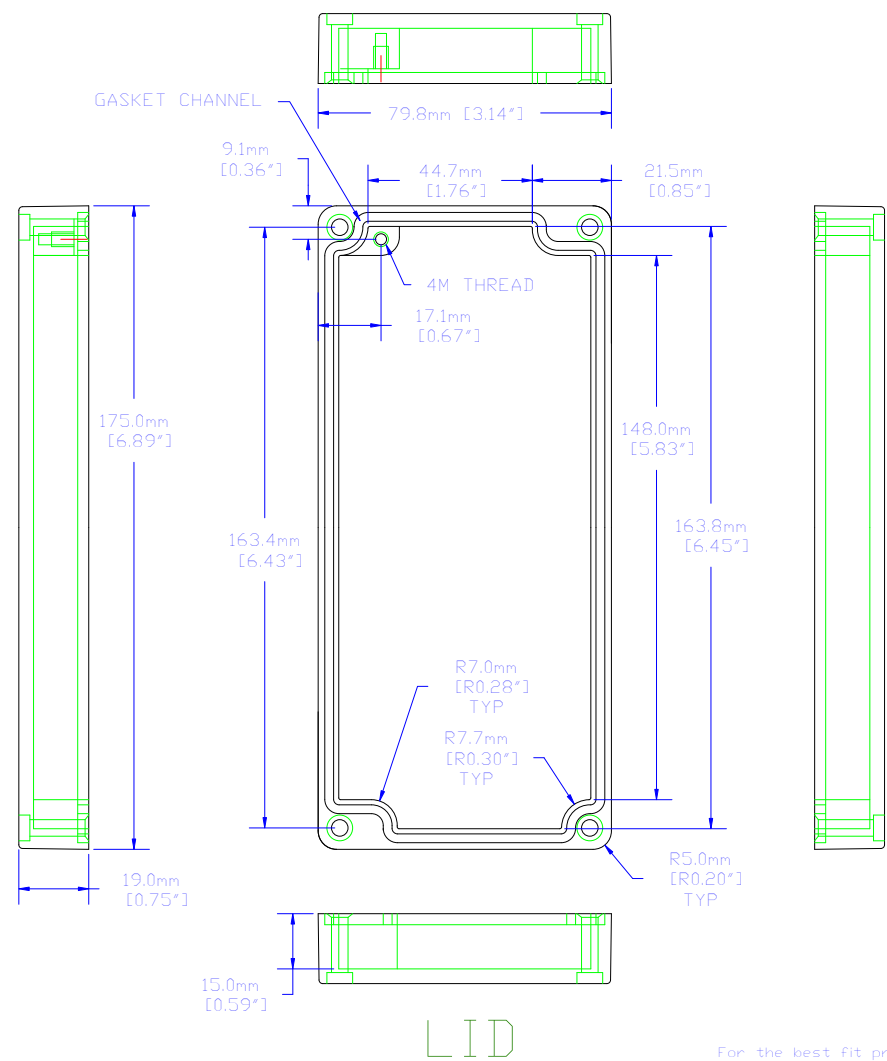




SIDE VIEWS DO NOT DETAIL SCREW CHANNELS. SEE 'A - A' FOR CHANNEL DETAIL.

BOX

NOTES
 DESIGNED TO MEET THE REQUIREMENTS OF IP65, & NEMA 4X
 TONGUE & GROOVE CONSTRUCTION WITH A MOLDED ONE PIECE SILICON GASKET.
 COMES WITH 4 STAINLESS STEEL MACHINE LID SCREWS, CAPTIVATED WITH 4 RUBBER O-RINGS.
 COMES WITH 2 GROUNDING SCREWS AND WASHERS.
 FINISH: NONE OR SUFFIX "BK" BLACK, OR SUFFIX "GY" GRAY (RAL 7001) POLYESTER POWDER



LID

For the best fit print on legal size paper.

THIS DRAWING IS PROPRIETARY INFORMATION OF HAMMOND MFG.CO.LTD. NOT TO BE USED WITHOUT EXPRESSED WRITTEN PERMISSION OF HAMMOND MFG.CO.LTD.

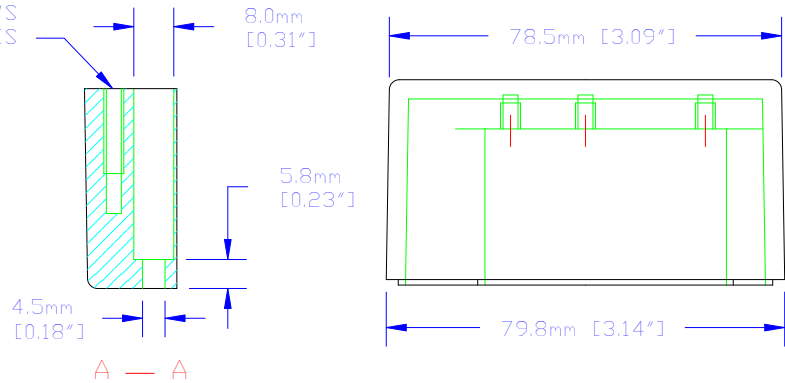
△	N/A	RELEASE	---	10/28/02	MJM
Rev	ECN	Description		Date	By

Unless otherwise spec'd dimensions are in millimeters Tolerances are:
 X ±.25
 .XX ±.50
 .XXX ±.500
 .XXXX ±.1300
 Holes ±.1300
 Angles ±5°

Dwn	M. MERCER
Date	10/28/02
Chk	---
Mat'l	CAST ALUMINUM
Sheet	1 of 1

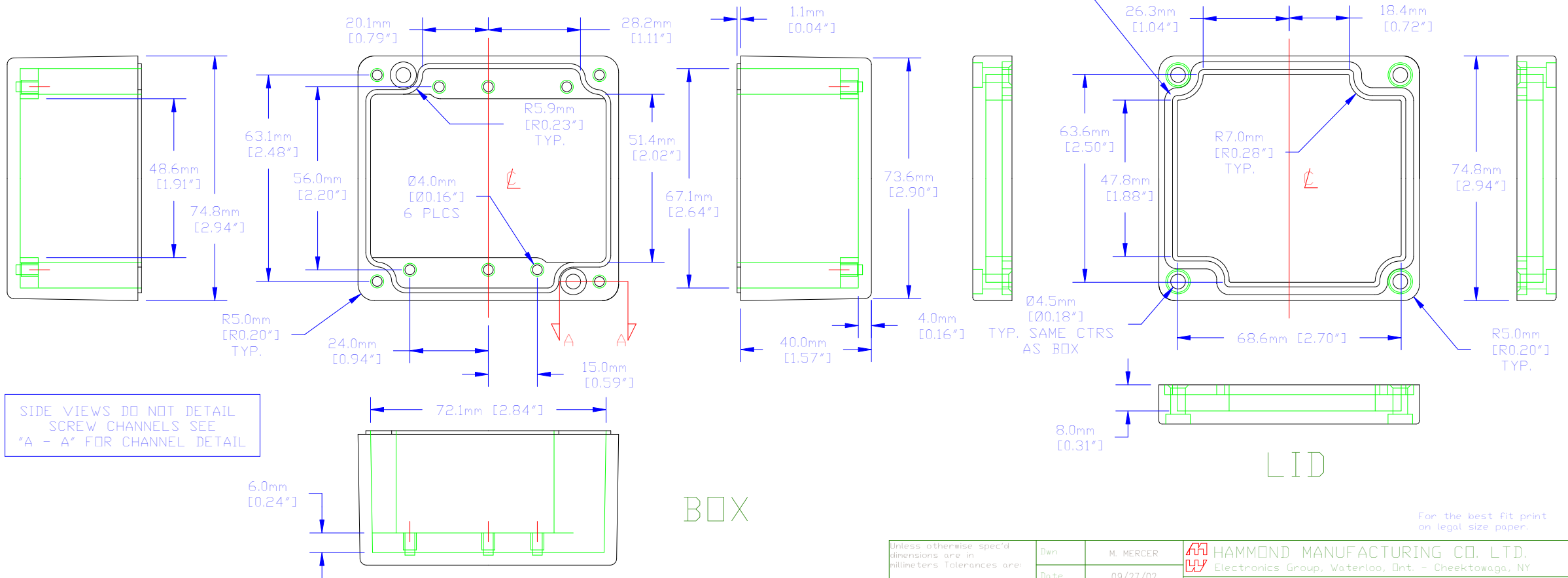
HAMMOND MANUFACTURING CO. LTD. Electronics Group, Waterloo, Ont. - Cheektowaga, NY	
HAMMOND 1590Z SERIES CASTED AL ENCLOSURES	
Part #	1590Z135
Dwg:	1590Z135/A

M4 THREAD
FOR LID SCREWS
4 PLACES



NOTES

DESIGNED TO MEET THE REQUIREMENTS OF IP65, & NEMA 4X
TONGUE & GROOVE CONSTRUCTION WITH A MOLDED ONE PIECE SILICON GASKET.
COMES WITH 4 STAINLESS STEEL MACHINE LID SCREWS, CAPTIVATED WITH 4 RUBBER O-RINGS.
COMES WITH 4 GROUNDING SCREWS AND WASHERS.
FINISH: NONE OR SUFFIX "BK" BLACK, OR SUFFIX "GY" GRAY (RAL 7001) POLYESTER POWDER



SIDE VIEWS DO NOT DETAIL
SCREW CHANNELS SEE
"A - A" FOR CHANNEL DETAIL

THIS DRAWING IS PROPRIETARY INFORMATION OF
HAMMOND MFG.CO.LTD. NOT TO BE USED WITHOUT
EXPRESSED WRITTEN PERMISSION
OF HAMMOND MFG.CO.LTD.

△	N/A	RELEASE	---	09/27/02	MJM
Rev.	ECN	Description		Date	By

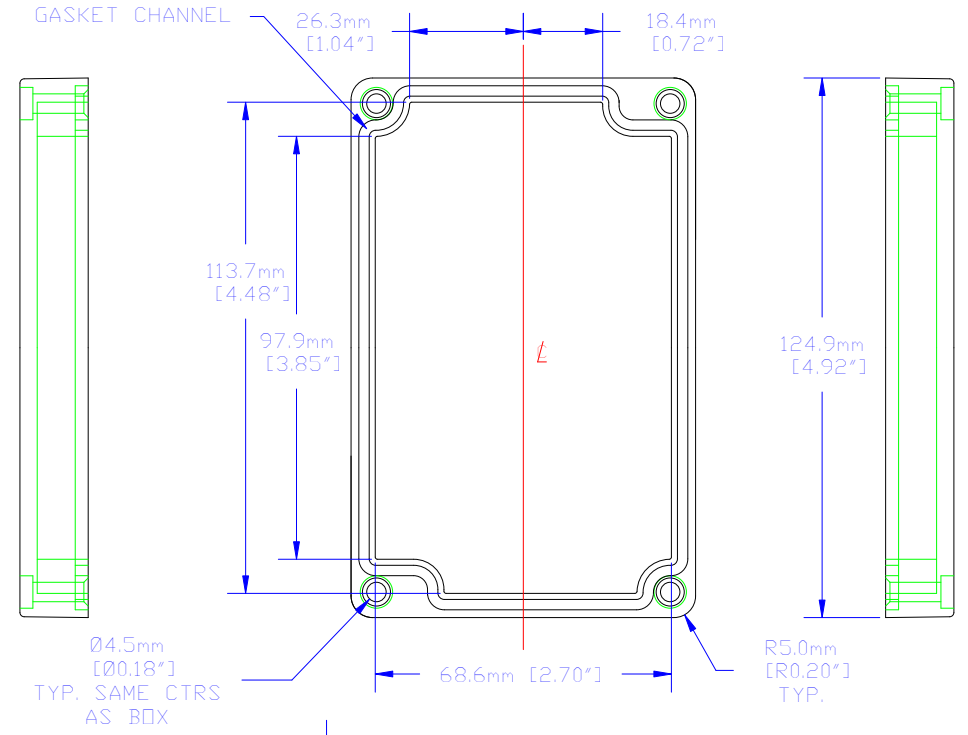
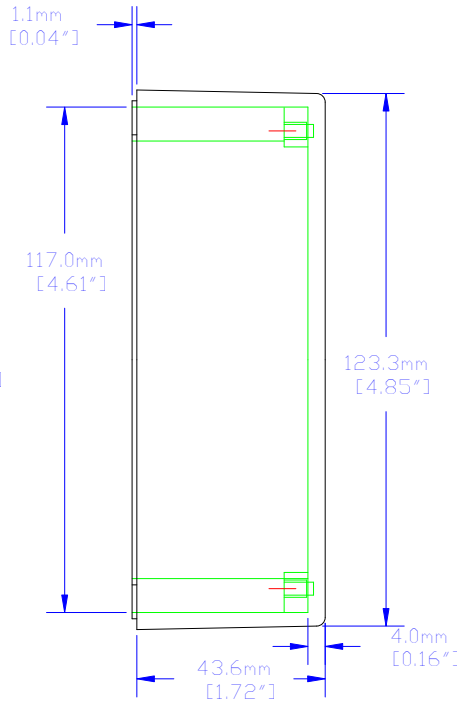
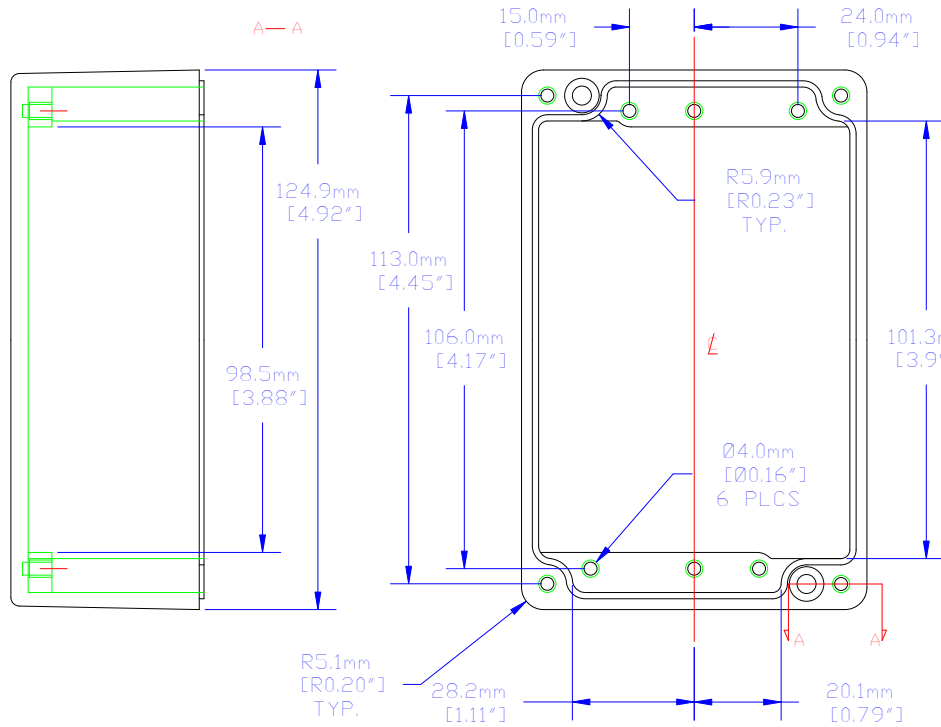
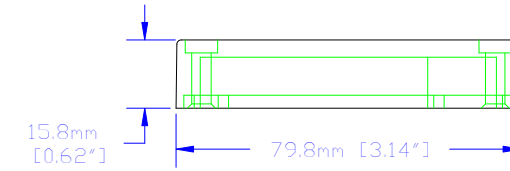
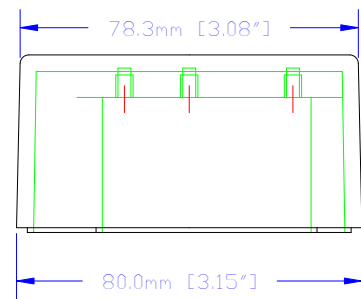
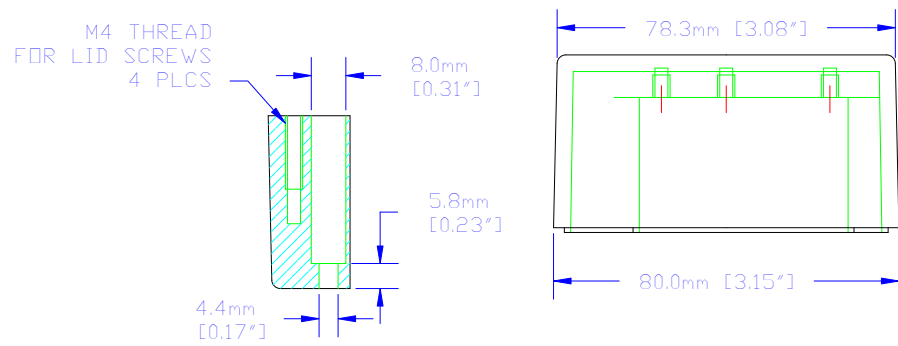
Unless otherwise spec'd dimensions are in millimeters Tolerances are:		Dwn	M. MERCER
XX	±.25	Date	09/27/02
.XXX	±.500	Chk	---
.XXXX	±1.300	Mat'l	CAST ALUMINUM
Holes	±1.300	Sheet	1 of 1
Angles	±.5°	Part #	1590Z100

HAMMOND MANUFACTURING CO. LTD. Electronics Group, Waterloo, Ont. - Cheektowaga, NY	
HAMMOND 1590Z SERIES CASTED AL ENCLOSURES	
Dwg:	1590Z100/A

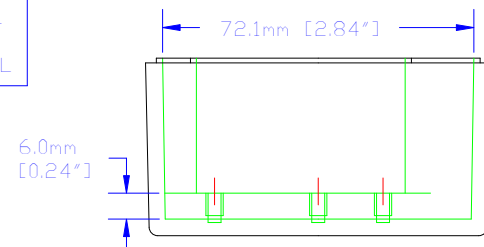
For the best fit print
on legal size paper.

NOTES

DESIGNED TO MEET THE REQUIREMENTS OF IP65, & NEMA 4X
 TONGUE & GROOVE CONSTRUCTION WITH A MOLDED ONE PIECE SILICON GASKET.
 COMES WITH 4 STAINLESS STEEL MACHINE LID SCREWS, CAPTIVATED WITH 4 RUBBER O-RINGS.
 COMES WITH 4 GROUNDING SCREWS AND WASHERS.
 FINISH: NONE OR SUFFIX "BK" BLACK, OR SUFFIX "GY" GRAY (RAL 7001) POLYESTER POWDER



SIDE VIEWS DO NOT DETAIL SCREW CHANNELS SEE "A - A" FOR CHANNEL DETAIL



BOX

LID

For the best fit print on legal size paper.

THIS DRAWING IS PROPRIETARY INFORMATION OF HAMMOND MFG.CO.LTD. NOT TO BE USED WITHOUT EXPRESSED WRITTEN PERMISSION OF HAMMOND MFG.CO.LTD.

△	N/A	RELEASE	---	09/29/02	MJM
Rev	ECN	Description		Date	By

Unless otherwise spec'd dimensions are in millimeters Tolerances are:

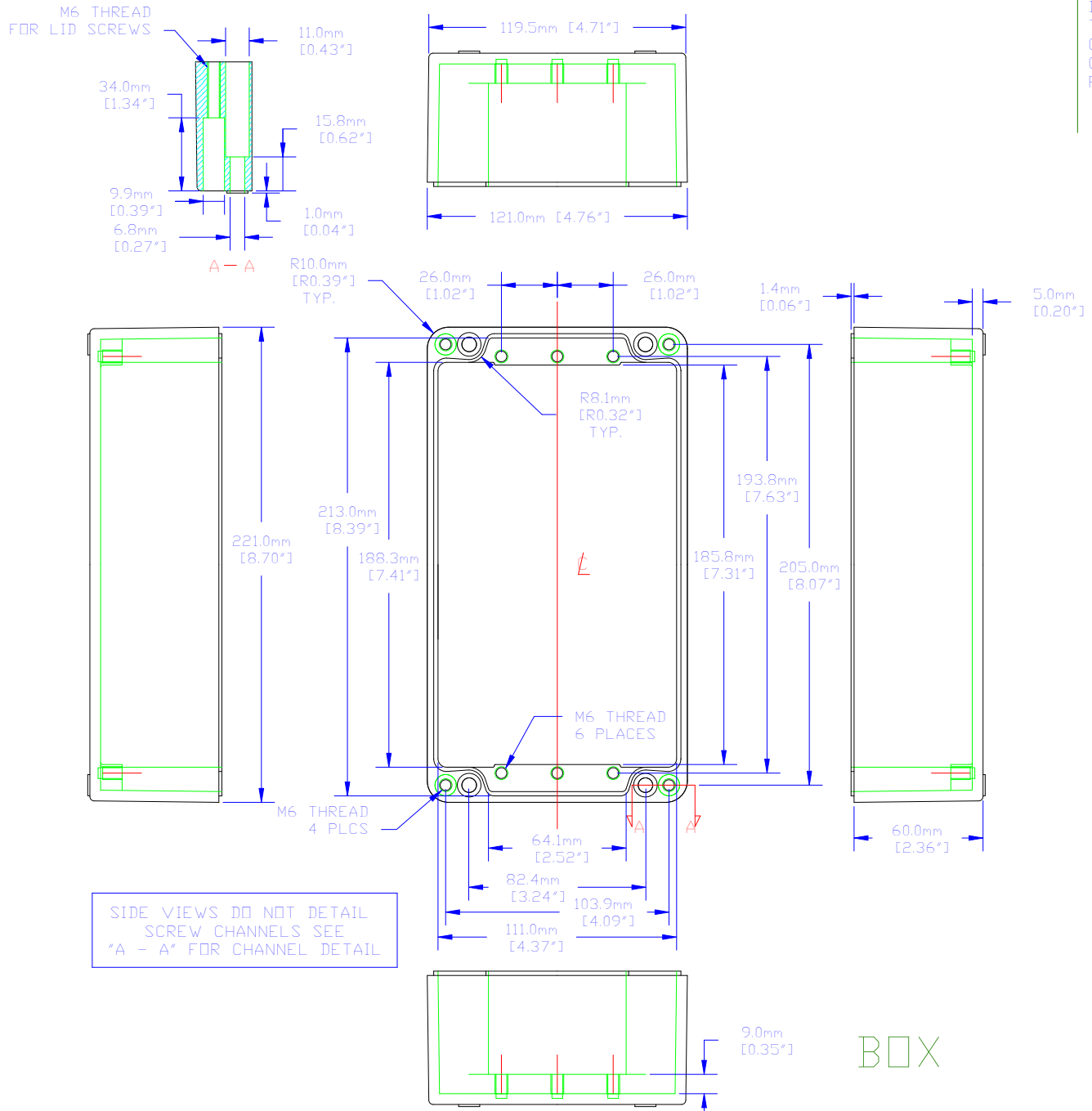
.X	±2.5
.XX	±1.50
.XXX	±.500
.XXXX	±.1300
Holes	±.1300
Angles	±.5°

Dwn	M. MERCER
Date	09/29/02
Chk	---
Mat'l	CAST ALUMINUM
Sheet	1 of 1

HAMMOND MANUFACTURING CO. LTD.
 Electronics Group, Waterloo, Ont. - Cheektowaga, NY

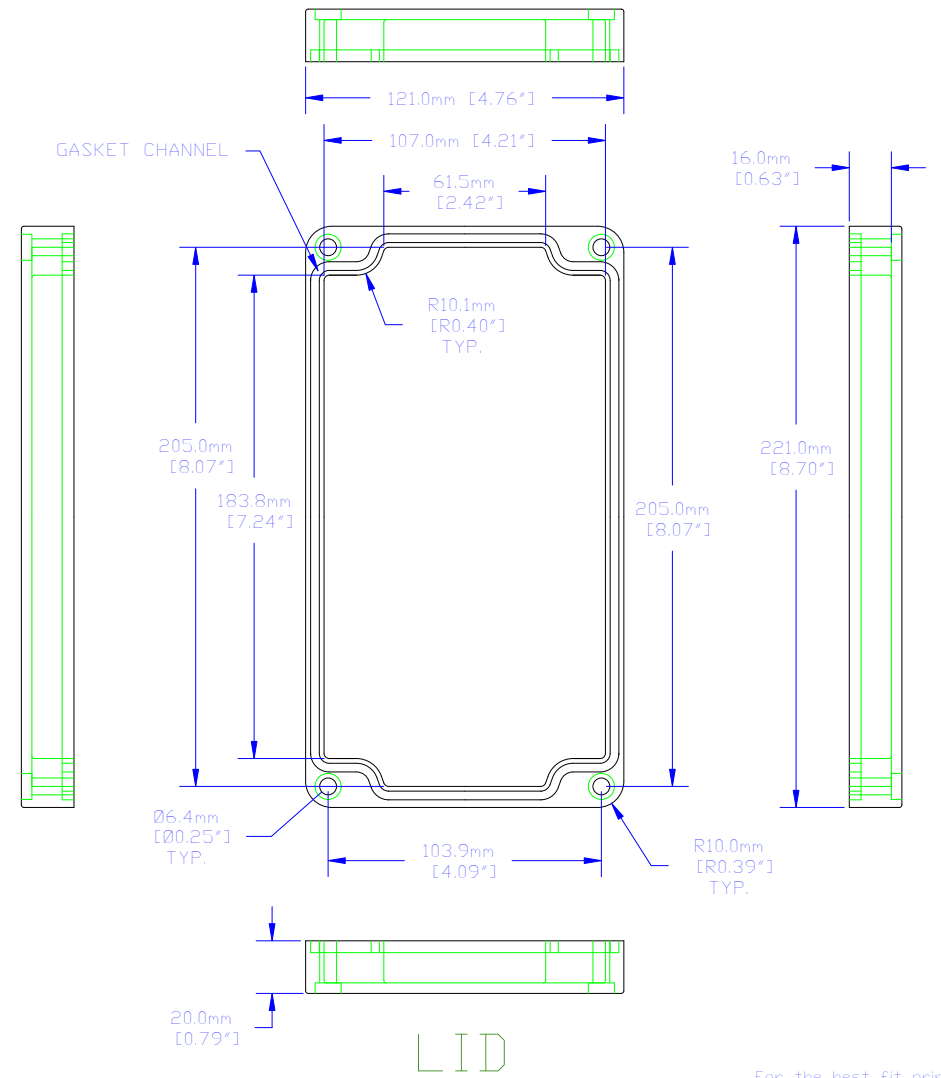
**HAMMOND 1590Z SERIES
 CASTED AL ENCLOSURES**

Part #: 1590Z120 Dwg: 1590Z120/A



NOTES

DESIGNED TO MEET THE REQUIREMENTS OF IP65, & NEMA 4X TONGUE & GROOVE CONSTRUCTION WITH A MOLDED ONE PIECE SILICON GASKET. COMES WITH 4 STAINLESS STEEL MACHINE LID SCREWS, CAPTIVATED WITH 4 RUBBER O-RINGS. COMES WITH 4 GROUNDING SCREWS AND WASHERS. FINISH: NONE OR SUFFIX "BK" BLACK, OR SUFFIX "GY" GRAY (RAL 7001) POLYESTER POWDER



SIDE VIEWS DO NOT DETAIL SCREW CHANNELS SEE "A - A" FOR CHANNEL DETAIL

THIS DRAWING IS PROPRIETARY INFORMATION OF HAMMOND MFG.CO.LTD. NOT TO BE USED WITHOUT EXPRESSED WRITTEN PERMISSION OF HAMMOND MFG.CO.LTD.

△	N/A	RELEASE	----	10/01/02	MJM
Rev	ECN	Description		Date	By

Unless otherwise spec'd dimensions are in millimeters Tolerances are:

.X	±2.5
.XX	±1.50
.XXX	±1.00
.XXXX	±1.00
Holes	±1.00
Angles	±.5°

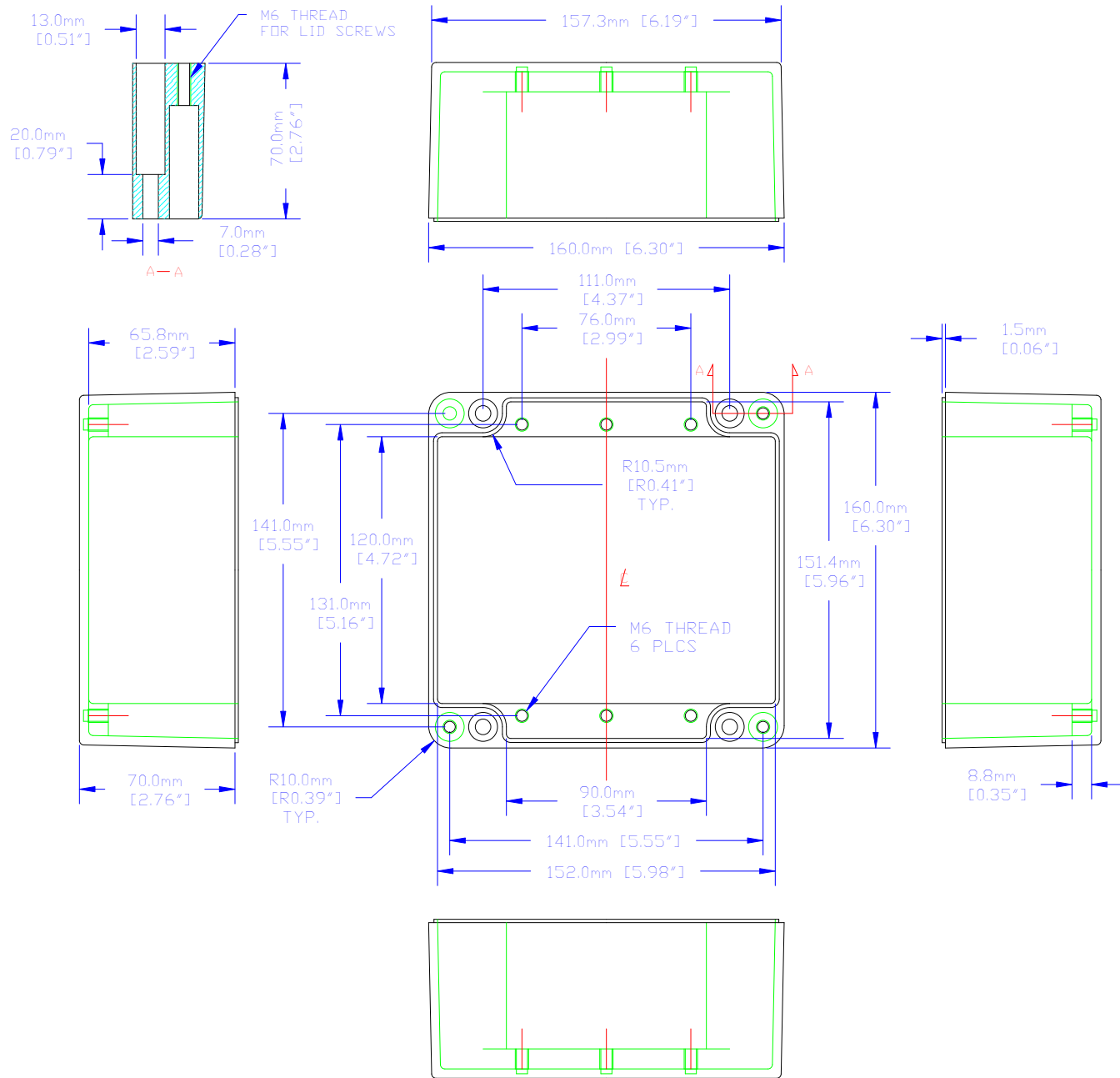
Dwn	M. MERCER
Date	10/01/02
Chk	---
Mat'l	CAST ALUMINUM
Sheet	1 of 1

HAMMOND MANUFACTURING CO. LTD.
Electronics Group, Waterloo, Ont. - Cheektowaga, NY

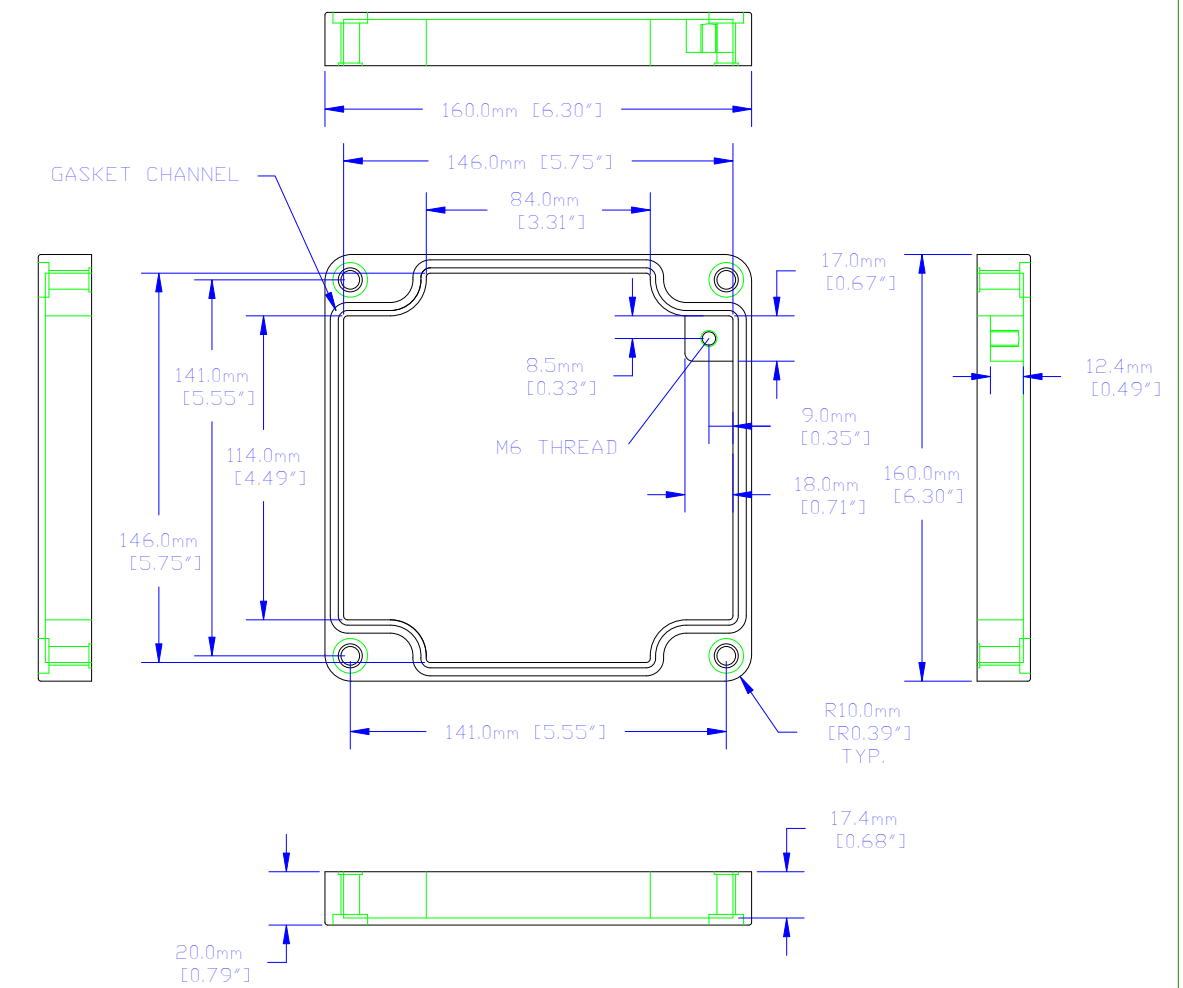
**HAMMOND 1590Z SERIES
CASTED AL ENCLOSURES**

Part # 1590Z150 Dwg 1590Z150/A

For the best fit print on legal size paper.



NOTES
 DESIGNED TO MEET THE REQUIREMENTS OF IP65, & NEMA 4X
 TONGUE & GROOVE CONSTRUCTION WITH A MOLDED ONE PIECE SILICON GASKET.
 COMES WITH 4 STAINLESS STEEL MACHINE LID SCREWS, CAPTIVATED WITH 4 RUBBER O-RINGS.
 COMES WITH 4 GROUNDING SCREWS AND WASHERS.
 FINISH: NONE OR SUFFIX "BK" BLACK, OR SUFFIX "GY" GRAY (RAL 7001) POLYESTER POWDER



THIS DRAWING IS PROPRIETARY INFORMATION OF HAMMOND MFG.CO.LTD. NOT TO BE USED WITHOUT EXPRESSED WRITTEN PERMISSION OF HAMMOND MFG.CO.LTD.

△	N/A	RELEASE	---	09/30/02	MJM
Rev	ECN	Description		Date	By

Unless otherwise spec'd dimensions are in millimeters

Dwn	M. MERCER
Date	09/30/02
Chk	---
Mat'l	DIE-CASTED AL
Sheet	1 of 1

HAMMOND MANUFACTURING CO. LTD.
 Electronics Group, Waterloo, Ont. - Cheektowaga, NY

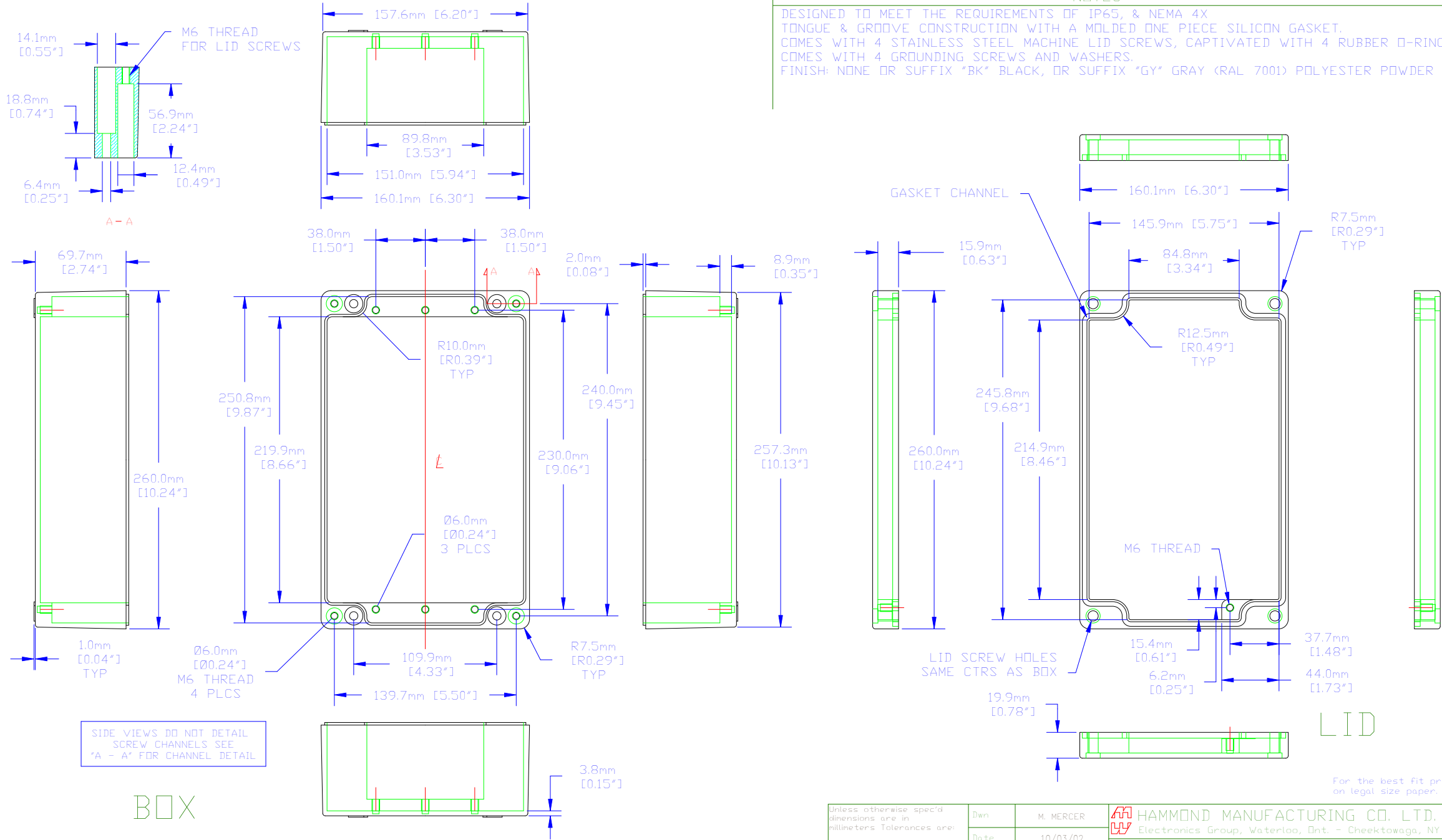
HAMMOND 1590Z SERIES
CASTED AL ENCLOSURE

Part #: 1590Z160 Dwg: 1590Z160/A

For the best fit print on legal size paper.

NOTES

DESIGNED TO MEET THE REQUIREMENTS OF IP65, & NEMA 4X
 TONGUE & GROOVE CONSTRUCTION WITH A MOLDED ONE PIECE SILICON GASKET.
 COMES WITH 4 STAINLESS STEEL MACHINE LID SCREWS, CAPTIVATED WITH 4 RUBBER O-RINGS.
 COMES WITH 4 GROUNDING SCREWS AND WASHERS.
 FINISH: NONE OR SUFFIX "BK" BLACK, OR SUFFIX "GY" GRAY (RAL 7001) POLYESTER POWDER



SIDE VIEWS DO NOT DETAIL
 SCREW CHANNELS SEE
 "A - A" FOR CHANNEL DETAIL

BOX

LID

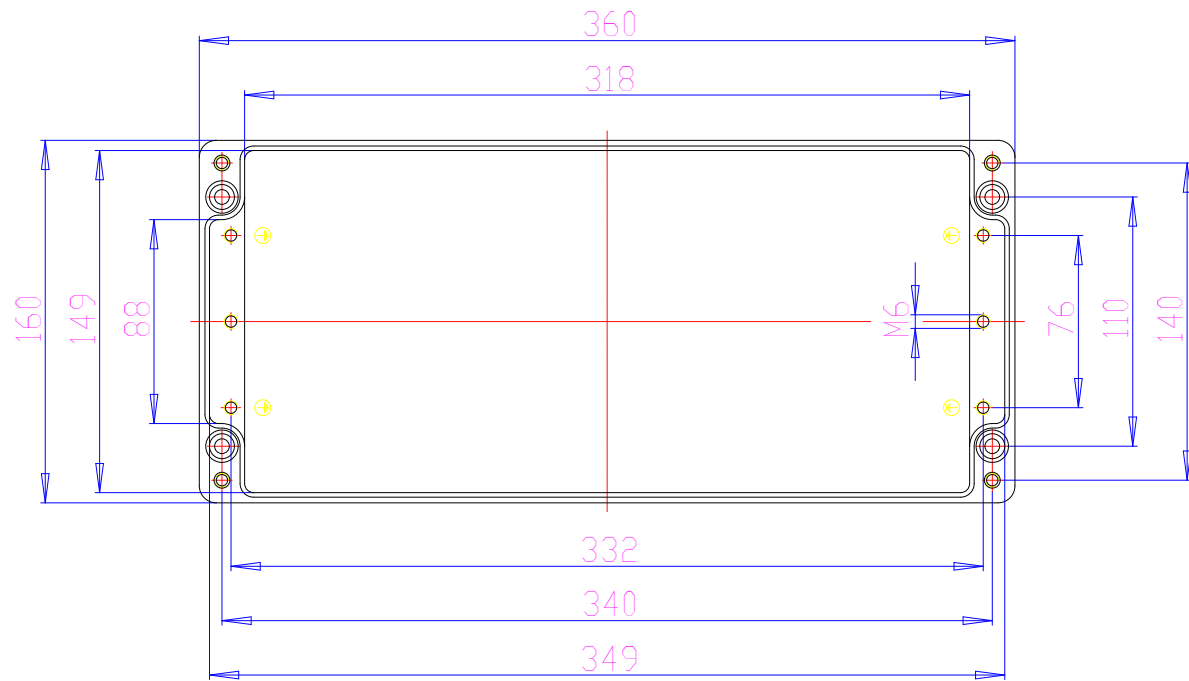
For the best fit print
 on legal size paper.

THIS DRAWING IS PROPRIETARY INFORMATION OF
 HAMMOND MFG.CO.LTD. NOT TO BE USED WITHOUT
 EXPRESSED WRITTEN PERMISSION
 OF HAMMOND MFG.CO.LTD.

△	N/A	RELEASE	----	10/03/02	MJM
Rev.	ECN	Description		Date	By

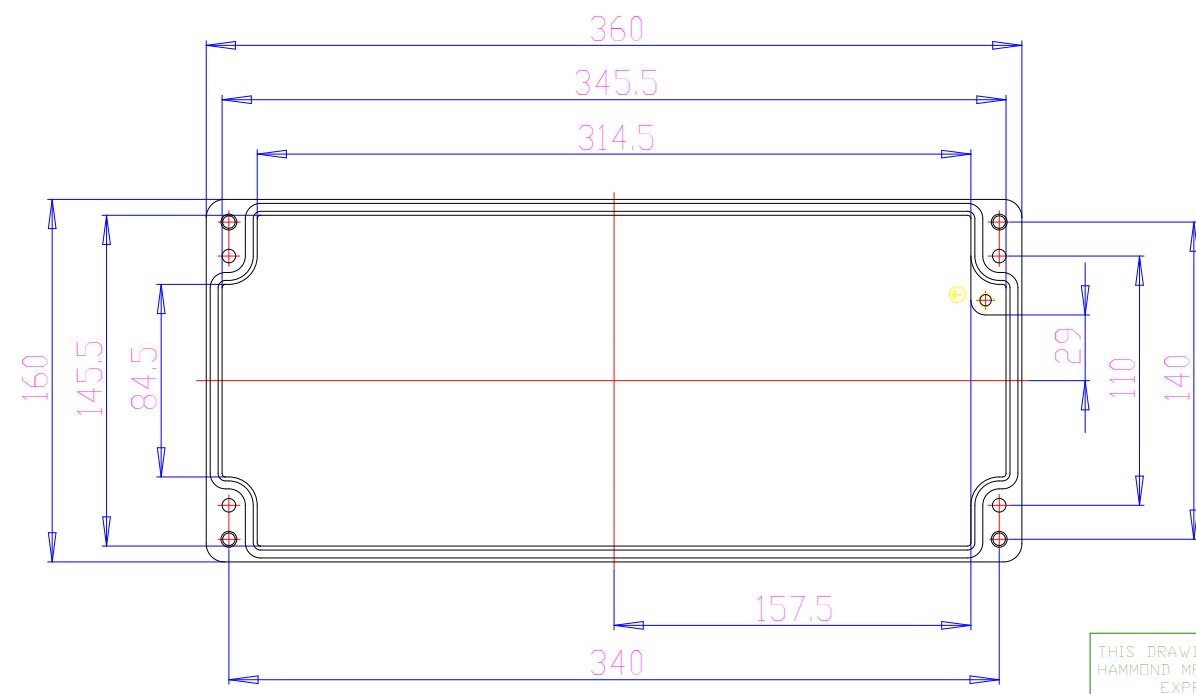
Unless otherwise spec'd dimensions are in millimeters Tolerances are:		Dwn	M. MERCER
XX	±25	Date	10/03/02
XXX	±50	Chk	---
XXXX	±100	Mat'l	CAST ALUMINUM
Holes	±1300	Sheet	1 of 1
Angles	±5°	Part #	1590Z162

HAMMOND MANUFACTURING CO. LTD. Electronics Group, Waterloo, Ont. - Cheektowaga, NY	
HAMMOND 1590Z SERIES CASTED AL ENCLOSURES	
Dwg:	1590Z162/A

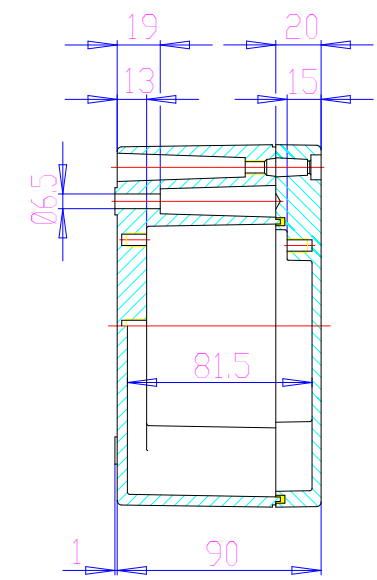


NOTES
 DESIGNED TO MEET THE REQUIREMENTS OF IP65, & NEMA 4X
 TONGUE & GROOVE CONSTRUCTION WITH A MOLDED ONE PIECE SILICON GASKET.
 COMES WITH 4 STAINLESS STEEL MACHINE LID SCREWS, CAPTIVATED WITH 4 RUBBER O-RINGS.
 COMES WITH 4 GROUNDING SCREWS AND WASHERS.
 FINISH: NONE OR SUFFIX "BK" BLACK, OR SUFFIX "GY" GRAY (RAL 7001) POLYESTER POWDER PAINT.

LID




BOX



For the best fit print on legal size paper.

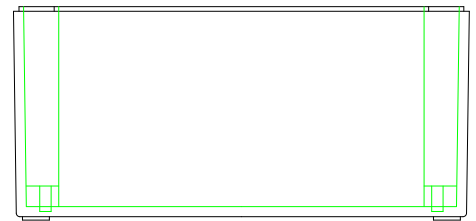
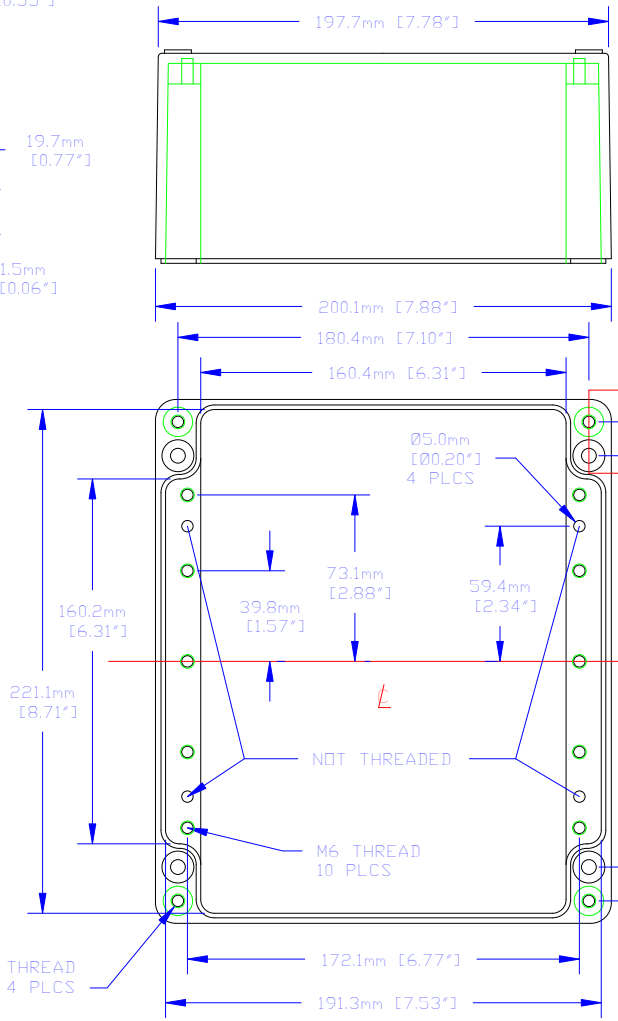
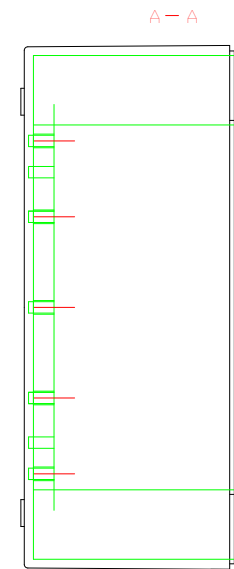
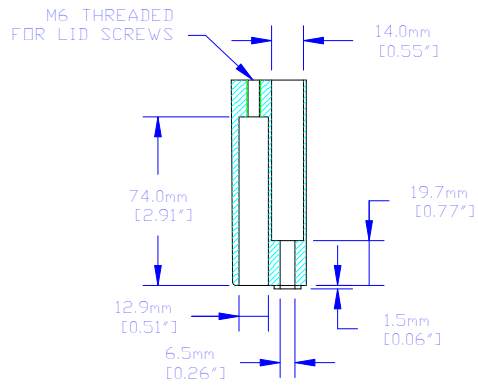
THIS DRAWING IS PROPRIETARY INFORMATION OF HAMMOND MFG.CO.LTD. NOT TO BE USED WITHOUT EXPRESSED WRITTEN PERMISSION OF HAMMOND MFG.CO.LTD.

Mat'l	CAST ALUMINUM
Sheet	1 of 1


HAMMOND MANUFACTURING CO. LTD.
 Electronics Group, Waterloo, Ont. - Cheektowaga, NY

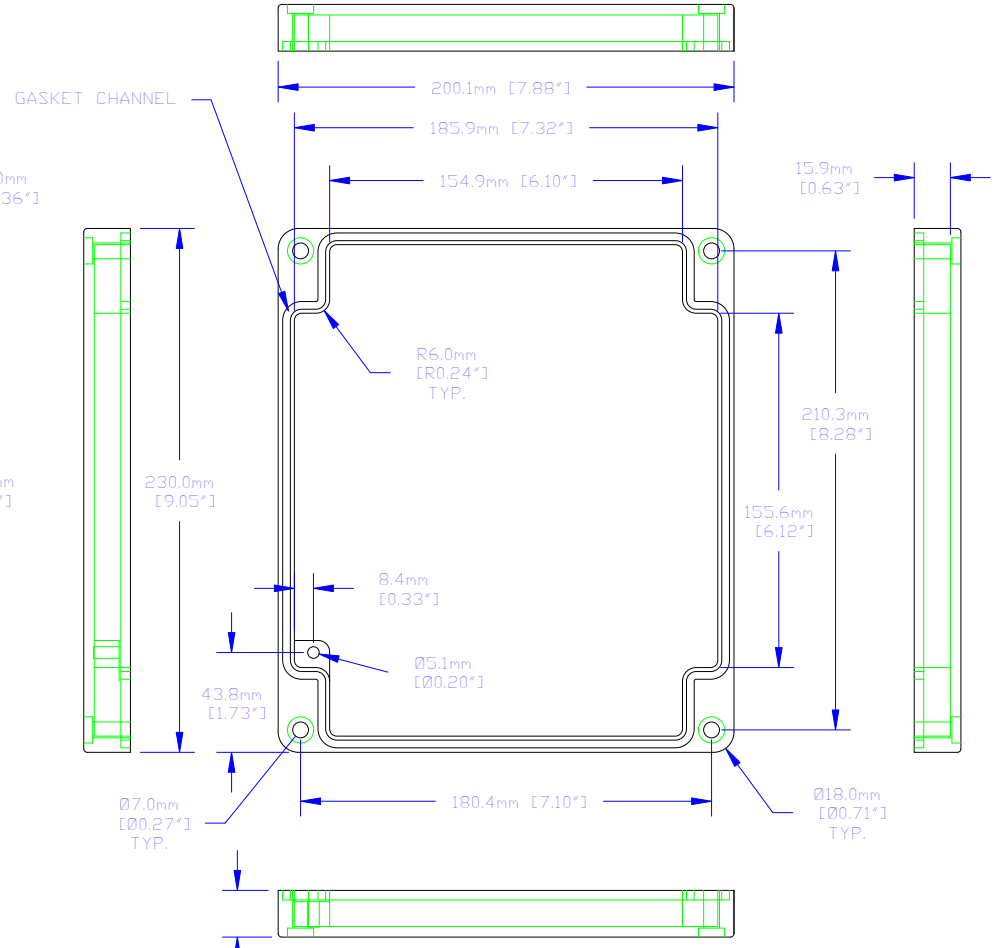
HAMMOND 1590Z SERIES
CASTED AL ENCLOSURES

Part#: 1590Z166	Dwg: 1590Z166
-----------------	---------------



BOX

NOTES
 DESIGNED TO MEET THE REQUIREMENTS OF IP65, & NEMA 4X
 TONGUE & GROOVE CONSTRUCTION WITH A MOLDED ONE PIECE SILICON GASKET.
 COMES WITH 4 STAINLESS STEEL MACHINE LID SCREWS, CAPTIVATED WITH 4 RUBBER O-RINGS.
 COMES WITH 4 GROUNDING SCREWS AND WASHERS.
 FINISH: NONE OR SUFFIX "BK" BLACK, OR SUFFIX "GY" GRAY (RAL 7001) POLYESTER POWDER



LID

For the best fit print on legal size paper.

SIDE VIEWS DO NOT DETAIL SCREW CHANNELS SEE "A - A" FOR CHANNEL DETAIL

THIS DRAWING IS PROPRIETARY INFORMATION OF HAMMOND MFG.CO.LTD. NOT TO BE USED WITHOUT EXPRESSED WRITTEN PERMISSION OF HAMMOND MFG.CO.LTD.

Rev	ECN	Description	Date	By
	N/A	RELEASE	09/27/02	MJM

Unless otherwise spec'd dimensions are in millimeters Tolerances are:	
X	±2.5
.XX	±1.50
.XXX	±1.00
.XXXX	±1.300
Holes	±1.300
Angles	±5°

Dwn	M. MERCER
Date	09/27/02
Chk	---
Mat'l	CAST ALUMINUM
Sheet	1 of 1

HAMMOND MANUFACTURING CO. LTD. Electronics Group, Waterloo, Ont. - Cheektowaga, NY	
HAMMOND 1590Z SERIES CASTED AL ENCLOSURES	
Part #	1590Z231
Dwg #	1590Z231/A