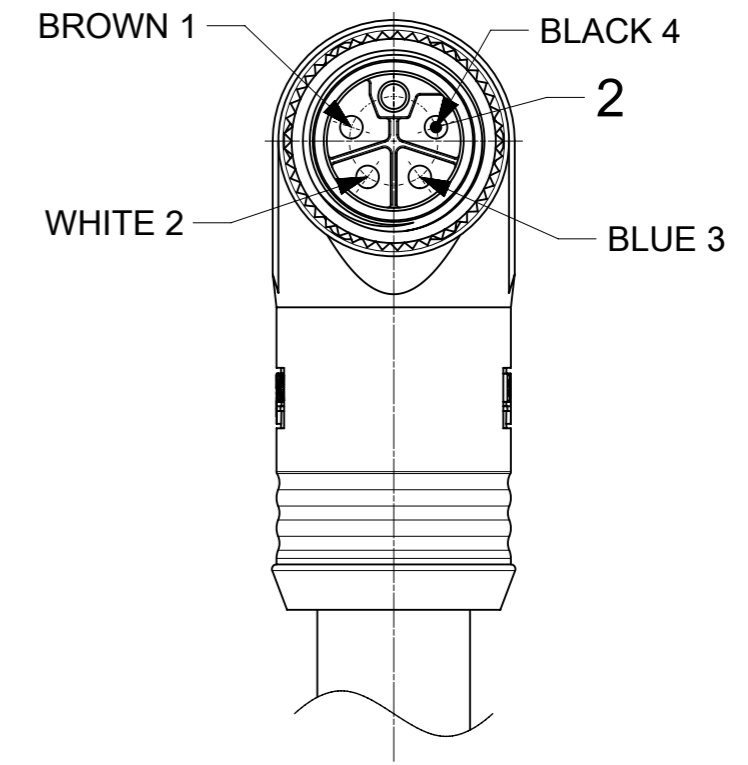


MATING SIDE



NOTES:

RATED VOLTAGE: MAX. 63V AC/DC
 RATED CURRENT: MAX. 16A at 40°C (derating has to be considered)
 IP RATING: IP67 (mated and locked condition)
 TEMPERATURE RANGE: -25°C TO +85°C

CABLE PRINTING (sequence as shown below):
 - MOLEX engineering no. (see page 2)
 - MOLEX material no. (see page 2)
 - MOLEX MAX. 63V AC/DC MAX. 16 A USR
 - MOLEX AND DATE OF MANUFACTURING (YY=YEAR; WW=WEEK): MXYWW
 - Not for current interrupting
 - PROFINET 24V Power 4x2,5

PART ACCORDING PRODUCT SPEC: 1205010169
 PACKAGING ACCORDING PACKAGING SPEC: 1201202000

TABLE 1

POS	DESCRIPTION	MATERIAL	FINISH
1	NUT M12 MA	BRASS	Ni
2	CONTACT 15 MA	BRASS	Au
3	INSERT	PA	BLACK
4	OVERMOLD	TPE	BLACK
5	CABLE 4x2.5 D10.1 WSOR	PUR	BLACK
OPTIONAL 6	ID CARRIER	-	-

FUNCTIONAL SYMBOLS $\nabla_A = 0$ $\nabla_E = 0$ $\nabla_V = 0$	THIS DRAWING CONTAINS INFORMATION THAT IS PROPRIETARY TO MOLEX ELECTRONIC TECHNOLOGIES, LLC AND SHOULD NOT BE USED WITHOUT WRITTEN PERMISSION	SCALE 2:1		CURRENT REV DESC: UPDATED ATTRIBUTE TO GENERAL MARKET IN ECTR molex CSE M12 4P LC MA RA WSOR BK XM UNSH				
	GENERAL TOLERANCES (UNLESS SPECIFIED)	4 PLACES ±						EC NO: 735577
	DIVISIONAL SYMBOLS	ANGULAR TOL ± 1.0°	3 PLACES ±	2 PLACES ± 0.05	1 PLACE ± 0.3	0 PLACES ± 0.5	DRWN: NIKHIS3 2023/01/12 CHK'D: RSILLER 2023/01/19 APPR: RSILLER 2023/01/19	PRODUCT CUSTOMER DRAWING DOCUMENT NUMBER: 1205000249 DOC TYPE: PSD DOC PART: 000 REVISION: A1
	DRAFT WHERE APPLICABLE MUST REMAIN WITHIN DIMENSIONS	THIRD ANGLE PROJECTION	DRAWING: A3-SIZE	SERIES: 120500	MATERIAL NUMBER: SEE TABLE 2	CUSTOMER: GENERAL MARKET	SHEET NUMBER: 1 OF 2	

ENGINEERING NO - NUMERICAL CODE (Available parts see PART LIST table. Other parts available upon request).

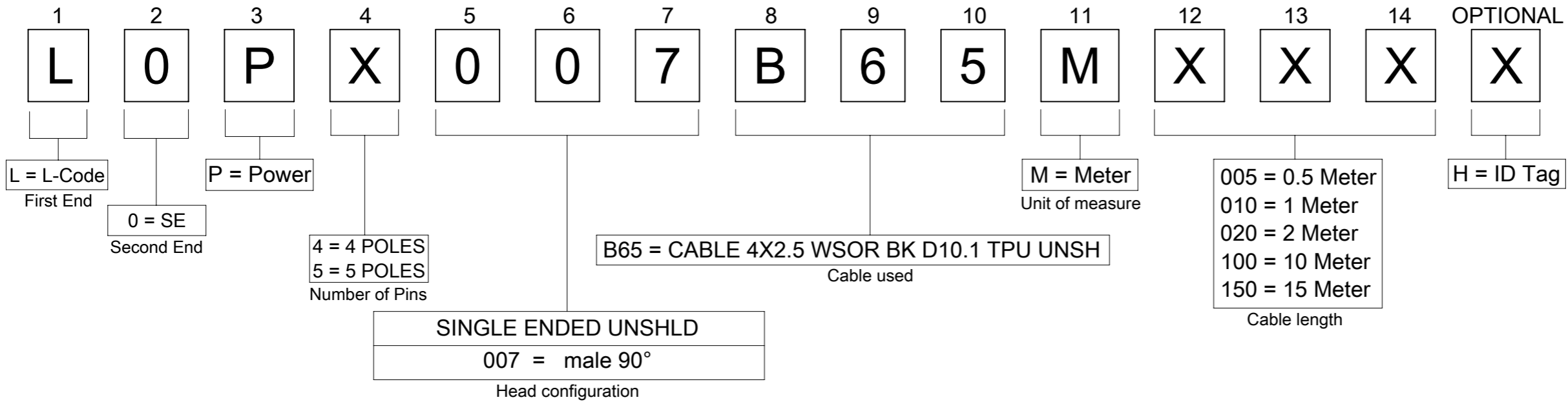


TABLE 2

NOMINAL SECTION 2,5mm ²			
MATERIAL NO.	ENGINEERING NO.	L [mm]	TOLERANCE [mm]
1205000249	L0P4007B65M010	1000	+40
1205000250	L0P4007B65M020	2000	+60
1205000251	L0P4007B65M030	3000	+60
1205000252	L0P4007B65M050	5000	+60
1205000253	L0P4007B65M100	10000	+80
1205000254	L0P4007B65M150	15000	+140
1205000255	L0P4007B65M200	20000	+140

FUNCTIONAL SYMBOLS	THIS DRAWING CONTAINS INFORMATION THAT IS PROPRIETARY TO MOLEX ELECTRONIC TECHNOLOGIES, LLC AND SHOULD NOT BE USED WITHOUT WRITTEN PERMISSION		
	$\nabla_A = 0$ $\nabla_B = 0$ $\nabla_C = 0$	DIMENSION UNITS mm	SCALE 1:1
DIVISIONAL SYMBOLS	GENERAL TOLERANCES (UNLESS SPECIFIED)		EC NO: 735577 DRWN: NIKHIS3 CHK'D: RSILLER APPR: RSILLER 2023/01/12 2023/01/19 2023/01/19 INITIAL REVISION: DRWN: FDAFERNER APPR: RSILLER 2020/05/13 2021/10/05
	ANGULAR TOL $\pm 1.0^\circ$		
	4 PLACES	\pm	
	3 PLACES	\pm	
	2 PLACES	± 0.05	
1 PLACE	± 0.3		
0 PLACES	± 0.5		
DRAFT WHERE APPLICABLE MUST REMAIN WITHIN DIMENSIONS		THIRD ANGLE PROJECTION	DRAWING
			SERIES A3-SIZE
DOCUMENT NUMBER		CUSTOMER	SHEET NUMBER
1205000249		GENERAL MARKET	2 OF 2