

NOTES:

1. MATERIALS:

HOUSING:

- *BLANK*=NYLON 6/6, UNFILLED UL94 V-2, COLOR: NATURAL
- *210*=NYLON 6/6, UNFILLED UL94 V-0, COLOR: NATURAL
- *BL*=NYLON 6/6, UNFILLED UL94 V-2, COLOR: BLACK
- *400*=NYLON 6/6, UNFILLED UL94 V-0, COLOR: BLACK

TERMINALS:

BRASS

2. TERMINAL PLATING:

- *BLANK*=.000035/(0.00090) MIN. BRIGHT TIN OVER .000020/(0.00050) MIN. COPPER
- GS2=.000015/(0.00038) MIN. SELECT GOLD AND .000100/(0.00254) MIN. SELECT MATTE TIN OVER .000050/(0.00127) MIN. NICKEL OVERALL
- GS=.000030/(0.00076) MIN. SELECT GOLD AND .000100/(0.00254) MIN. SELECT MATTE TIN OVER .000050/(0.00127) MIN. NICKEL OVERALL
- S=.000100/(0.00254) MIN. BRIGHT TIN OVER .000050/(0.00127) MIN. NICKEL
- MS=.000100/(0.00254) MIN. MATTE TIN OVER .000050/(0.00127) MIN. NICKEL

3. PRODUCT SPECIFICATION: PS-5556-001

4. PACKAGING: TRAY PACKED PER PK-5566-002

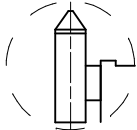
5. PART MATES WITH MINI-FIT JR. RECEPTACLE NO. 5557.

6. PART IS NOT DESIGNED FOR CURRENT SHARING.

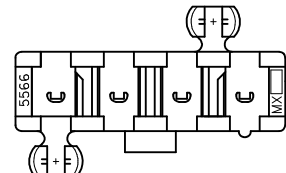
7. PARTS ARE NOT TO BE MATED OR UN-MATED WHILE CIRCUITS ARE LIVE.

8. PART CONFORMS TO CLASS "B" REQUIREMENTS OF COSMETIC SPECIFICATION PS-45499-002.

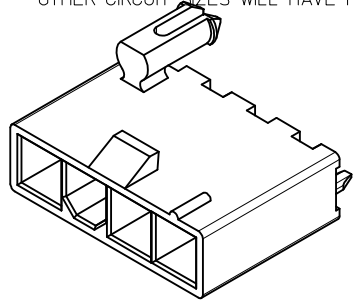
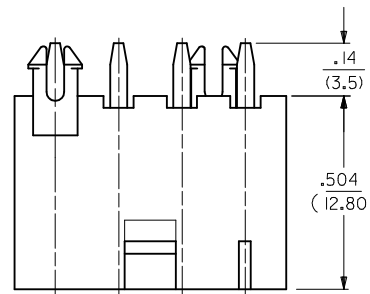
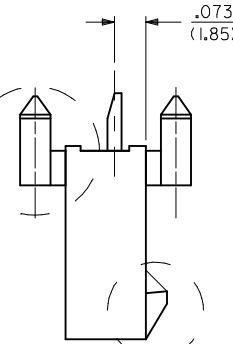
9. 4 CIRCUIT PARTS WILL HAVE PEG DESIGN A. ALL OTHER CIRCUIT SIZES WILL HAVE PEG DESIGN B.



PEG DESIGN B
SEE NOTE 9

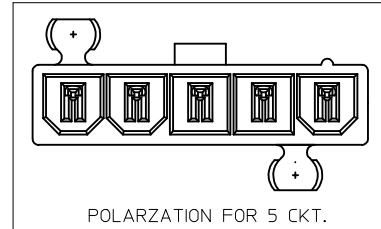
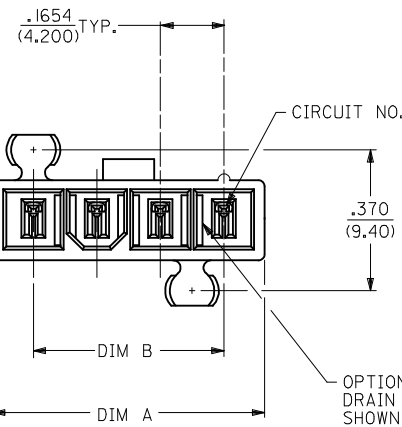


PEG DESIGN A
SEE NOTE 9

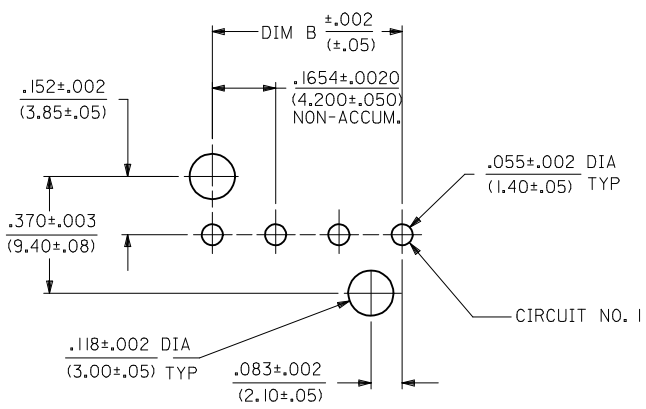


LOCK OPTION

POSITIVE LOCK PASSIVE LOCK



POLARIZATION FOR 5 CKT.



RECOMMENDED HOLE LAYOUT FOR .070/(1.78) MAX. THICK P. C. BOARD VIEWED FROM COMPONENT SIDE

CKT SIZE	DIM A	DIM B
4	.709 (18.00)	.496 (12.60)
5	.874 (22.20)	.661 (16.80)
6	1.039 (26.40)	.827 (21.00)
7	1.205 (30.60)	.992 (25.20)
8	1.370 (34.80)	1.157 (29.40)
9	1.535 (39.00)	1.323 (33.60)
10	1.701 (43.20)	1.488 (37.80)
11	1.866 (47.40)	1.654 (42.00)
12	2.031 (51.60)	1.819 (46.20)

LEGEND:

- CIRCUIT SIZE (04-12)
- ASSEMBLY TYPE
A=W/O DRAIN HOLES
B=WITH DRAIN HOLES
- PEG AND LOCK OPTION
3=MTG. PEGS, POSITIVE LOCK
4=MTG. PEGS, PASSIVE LOCK
- PLATING (SEE NOTE 2)
- HOUSING MAT'L (SEE NOTE 1)

ADD MS P/N'S EC NO: UCP2014-1214 DRAWINGUYEN 2013/09/13 CHKD: JRELL 2013/09/13 APPR: FSMITH 2013/09/17 M4	QUALITY SYMBOLS ▽=0 ▽=0 ▽=0	GENERAL TOLERANCES (UNLESS SPECIFIED) mm INCH 4 PLACES ± --- ± --- 3 PLACES ± --- ± .015 2 PLACES ± 0.38 ± .020 1 PLACE ± 0.50 ± --- 0 PLACE ± --- ± ---	DIMENSION STYLE IN/MM DRAWN BY DATE KSS 1989/02/19 CHECKED BY DATE JTR 1989/02/19 APPROVED BY DATE FSMITH 2012/05/04	SCALE 4:1	DESIGN UNITS METRIC	THIRD ANGLE PROJECTION	
		ANGULAR ±1/2°		MATERIAL NO. SEE CHART		DOCUMENT NO. SDA-5566-NL*	
		DRAFT WHERE APPLICABLE MUST REMAIN WITHIN DIMENSIONS		SIZE C		SHEET NO. 1 OF 2	
		THIS DRAWING CONTAINS INFORMATION THAT IS PROPRIETARY TO MOLEX INCORPORATED AND SHOULD NOT BE USED WITHOUT WRITTEN PERMISSION					

PASSIVE LOCK WITH MTG. PEGS, 94V-2 HOUSING MATERIAL				
PART NO	ENG NO	CKT DRAIN SIZE HOLE	PLATING OPTION	
NO E.D.P.	5566-04A4	4 NO	TIN OVER COPPER	
NO E.D.P.	5566-05A4	5 NO	TIN OVER COPPER	
NO E.D.P.	5566-04A4GS	4 NO	30 M.I. SELECT GOLD	
NO E.D.P.	5566-05A4GS	5 NO	30 M.I. SELECT GOLD	

PASSIVE LOCK WITH MTG. PEGS, 94V-0 HOUSING MATERIAL				
PART NO	ENG NO	CKT DRAIN SIZE HOLE	PLATING OPTION	
NO E.D.P.	5566-04A4-2IO	4 NO	TIN OVER COPPER	
NO E.D.P.	5566-05A4-2IO	5 NO	TIN OVER COPPER	
NO E.D.P.	5566-04A4GS-2IO	4 NO	30 M.I. SELECT GOLD	
NO E.D.P.	5566-05A4GS-2IO	5 NO	30 M.I. SELECT GOLD	

POSITIVE LOCK WITH MTG. PEGS, 94V-2 HOUSING MATERIAL				
PART NO	ENG NO	CKT DRAIN SIZE HOLE	PLATING OPTION	
39-30-2045	5566-04B3	4 YES	TIN OVER COPPER	
39-30-2055	5566-05B3	5 YES	TIN OVER COPPER	
39-30-1049	5566-04A3	4 NO	TIN OVER COPPER	
39-30-1059	5566-05A3	5 NO	TIN OVER COPPER	
39-30-2047	5566-04B3GS	4 YES	30 M.I. SELECT GOLD	
39-30-2057	5566-05B3GS	5 YES	30 M.I. SELECT GOLD	
39-30-2041	5566-04A3GS	4 NO	30 M.I. SELECT GOLD	
39-30-2051	5566-05A3GS	5 NO	30 M.I. SELECT GOLD	
39-30-5049	5566-04B3S	04 YES	TIN OVER NICKEL	
50-36-2453	5566-04A3S	04 NO	TIN OVER NICKEL	
50-36-2454	5566-05A3S	05 NO	TIN OVER NICKEL	
46999-0610	5566-04A3MS	04 NO	TIN OVER NICKEL	
46999-0611	5566-05A3MS	05 NO	TIN OVER NICKEL	

POSITIVE LOCK WITH MTG. PEGS, 94V-2 BLACK HOUSING				
PART NO	ENG NO	CKT DRAIN SIZE HOLE	PLATING OPTION	
50-29-1528	5566-04A3-BL	04 NO	TIN OVER COPPER	
50-29-1529	5566-05A3-BL	05 NO	TIN OVER COPPER	
26-01-3162	5566-04A3S-BL	04 NO	TIN OVER NICKEL	
26-01-3163	5566-05A3S-BL	05 NO	TIN OVER NICKEL	

POSITIVE LOCK WITH MTG. PEGS, 94V-0 HOUSING MATERIAL				
PART NO	ENG NO	CKT DRAIN SIZE HOLE	PLATING OPTION	
39-30-2046	5566-04B3-2IO	4 YES	TIN OVER COPPER	
39-30-2056	5566-05B3-2IO	5 YES	TIN OVER COPPER	
39-30-2040	5566-04A3-2IO	4 NO	TIN OVER COPPER	
39-30-2050	5566-05A3-2IO	5 NO	TIN OVER COPPER	
39-30-2048	5566-04B3GS-2IO	4 YES	30 M.I. SELECT GOLD	
39-30-2058	5566-05B3GS-2IO	5 YES	30 M.I. SELECT GOLD	
39-30-2042	5566-04A3GS-2IO	4 NO	30 M.I. SELECT GOLD	
39-30-2052	5566-05A3GS-2IO	5 NO	30 M.I. SELECT GOLD	
50-30-4466	5566-04B3S-2IO	04 YES	TIN OVER NICKEL	
50-30-4467	5566-05B3S-2IO	05 YES	TIN OVER NICKEL	
50-36-2356	5566-04A3S-2IO	04 NO	TIN OVER NICKEL	
50-36-2452	5566-05A3S-2IO	05 NO	TIN OVER NICKEL	

POSITIVE LOCK WITH MTG. PEGS, 94V-0 BLACK HOUSING				
PART NO	ENG NO	CKT DRAIN SIZE HOLE	PLATING OPTION	
46999-0506	5566-04A3GS-400	04 NO	30 M.I. SELECT GOLD	
46999-0507	5566-04A3GS-400	05 NO	30 M.I. SELECT GOLD	
46999-0577	5566-04A3MS-400	04 NO	TIN OVER NICKEL	
46999-0578	5566-05A3MS-400	05 NO	TIN OVER NICKEL	

SEE SHEET 1
EC NO: UCP2014-1214
DRAWN: NGUYEN 2013/09/13
CHKD: J.BELL 2013/09/13
APPR: FSMITH 2013/09/17

QUALITY SYMBOLS

 DESCRIPTION

REV: M4

GENERAL TOLERANCES (UNLESS SPECIFIED)

	mm	INCH
4 PLACES	± .005	± .0005
3 PLACES	± .015	± .0015
2 PLACES	± .038	± .0020
1 PLACE	± 0.50	± .0200
0 PLACE	± .---	± .---

ANGULAR ±1/2°
 DRAFT WHERE APPLICABLE MUST REMAIN WITHIN DIMENSIONS

DIMENSION STYLE
IN/MM

DRAWN BY: KSS
 DATE: 1989/02/19

CHECKED BY: JTR
 DATE: 1989/02/19

APPROVED BY: FSMITH
 DATE: 2012/05/04

MATERIAL NO.
SEE CHART

SCALE: 1:1
 DESIGN UNITS: METRIC
 THIRD ANGLE PROJECTION

TITLE: **VERTICAL HEADER ASSY W/& W/O PEG & DRAIN HOLE MINI-FIT JR SINGLE ROW**

molex

DOCUMENT NO. **SDA-5566-NL***
 SHEET NO. **2 OF 2**

THIS DRAWING CONTAINS INFORMATION THAT IS PROPRIETARY TO MOLEX INCORPORATED AND SHOULD NOT BE USED WITHOUT WRITTEN PERMISSION