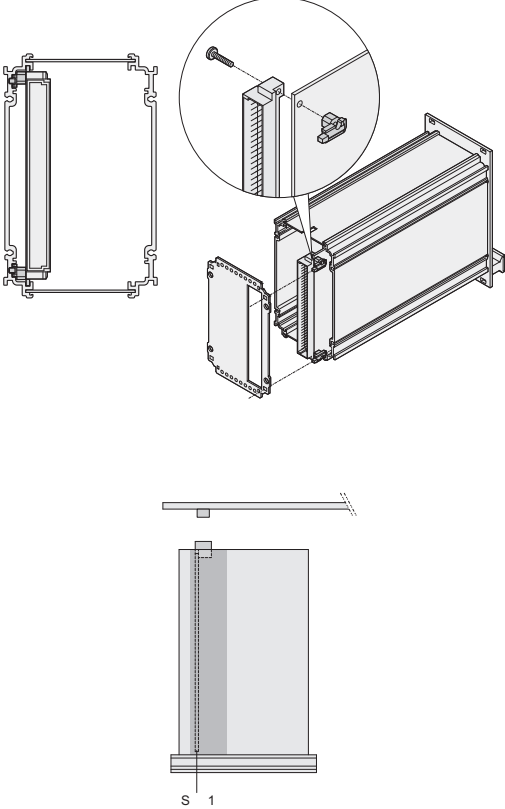
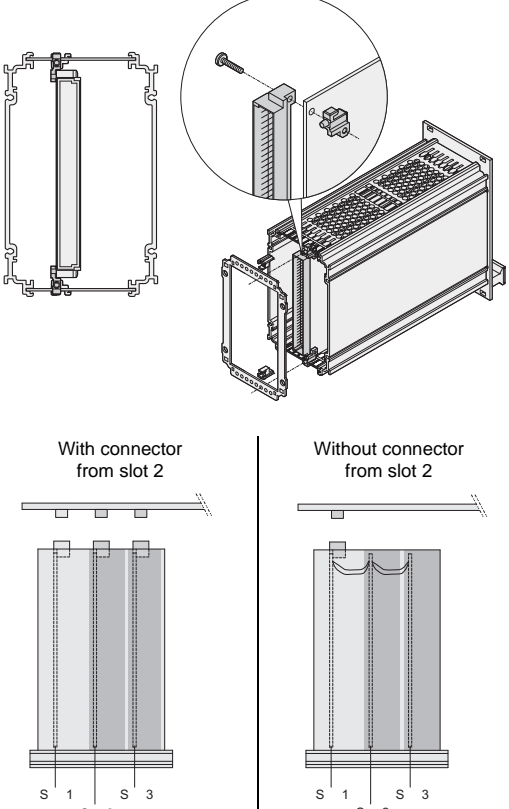
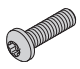
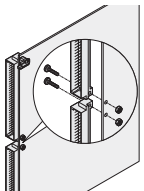


Frame type plug-in units PRO ServicePLUS

Individual components

Board fixing

	Board fixing slot 1	Board fixing from slot 2	
	 <p style="text-align: right; font-size: small;">04808118 04808109 04808129</p> <p style="text-align: center; font-size: small;">Zn die-cast, Torx panhead screw M2.5 x 10; PCB is pushed into the guiding groove of the left side panel/ side panel rear angle, is fixed with rear panel</p>	 <p style="text-align: center; font-size: small;">With connector from slot 2</p> <p style="text-align: center; font-size: small;">Without connector from slot 2</p> <p style="text-align: right; font-size: small;">04808119 04808110 bga42785 kaa46417</p> <p style="text-align: center; font-size: small;">Zn die-cast, Torx panhead screw M2.5 x 10; PCB is pushed into guide rail, is fixed with rear panel</p>	
Height	PU 5 pair	PU 5 pair	
3 U	24812-201	24812-301	
6 U	24812-201	24812-301	
Assembly kits		With connector from slot 2	Without connector from slot 2
Torx panhead screw, M2.5 x 6, St, nickel-plated, PU 100 pieces; is needed for board fixing without connector	 <p style="text-align: center;">24560-178</p> <p style="text-align: center; font-size: x-small;">aza45940</p>	-	24560-178
Connector mounting on PCB, for 6 U frame type plug-in units (centre) Torx panhead screw M2.5 x 10, nut M2.5; PU 10 pieces (screw + nut)	 <p style="text-align: center;">24812-600</p> <p style="text-align: center; font-size: x-small;">04808120</p>	24812-600	