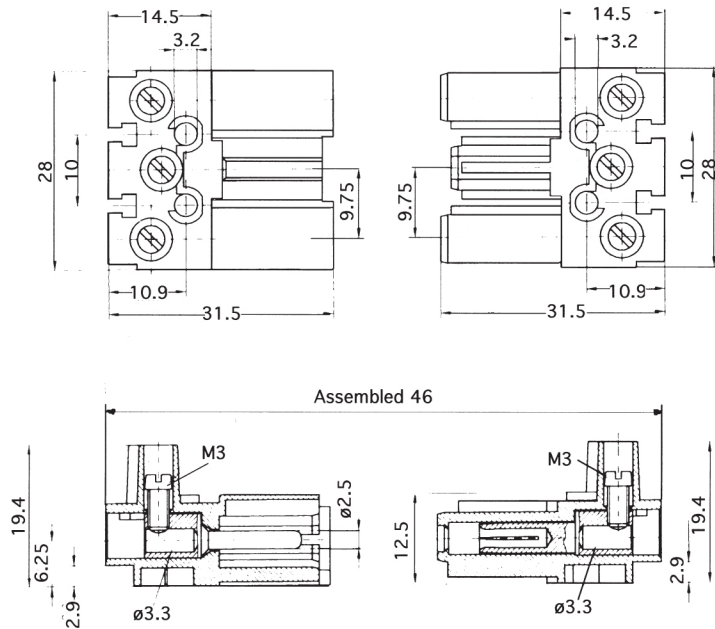
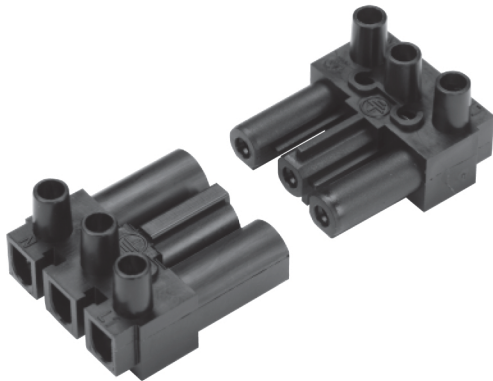


Series 166 plug & socket terminal blocks

SERIES 166GST/GBU

3 pole 16A plugs & sockets to EN 60 320



FEATURES

Series 166GST/166GBU plug and socket connectors are fully touchproof in both connected and disconnected positions and can be used as "Appliance Couplers" as required by EN 60 320. It is permitted for these to be engaged and disengaged under load in accordance with VDE 0627 and VDE 0628. They feature industry standard coding to ensure that correct polarity is guaranteed. They can also be fitted with covers and base plates incorporating strain reliefs. Please refer to page 13 and select 1661ZEL, which can be supplied with or without locking facility.

Approvals			
Nominal Cross-Section mm ²	2.5	14 AWG	2.5
	16A		
Voltage Rating	V	250	600
		250	

TECHNICAL DETAILS

Mouldings:	nylon 6.6 (PA6/6), black, white, grey and coral red
Inserts:	brass, tinned
Screws:	M3 steel, zinc plated, chromed
Current rating:	to EN 61 984: 16A / 250v at 70° C to EN 60 320: 16A / 250v at 70° C
Voltage rating:	see approvals
Conductor size:	0.5mm ² - 4.0mm ²
Temp. limits:	max short term: 160° C continuous: 100° C
Wire stripping length:	7mm
Protection class:	IP20 IP40 - when plugged in

OPTIONS

Covers & base plates: use series 1661ZEL
Connecting links & end caps

