





# 7.5mm pitch standard profile rising clamp terminal blocks

## Product overview

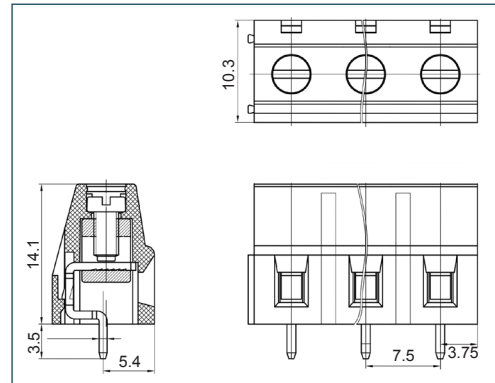
- 2 and 3 pole double interlocking mechanism for increased strength
- Professional rising clamp terminals
- Standard profile
- Moulded in green UL94-V0 flame retardant PA66
- Cable acceptance - 0.6-2mm<sup>2</sup> (22-12AWG)
- Guided pin alignment
-   approved

CTBP010



SPECIFICATION	
Rating	UL=16A/250V, VDE=24A/250V
Insulation resistance	500M $\Omega$ /500V
Withstand voltage	AC2000V/1min
Contact resistance	20m $\Omega$ (max)
Working temperature	-40°C to +105°C
Moulding	UL94-V0 flame retardant PA66
Pin/terminal	Tin plated brass
Wire protector	Phosphor bronze, nickel plated
Screw/torque	M2.5 Steel, zinc plated 0.4Nm
Recommended PCB hole size	$\varnothing$ 1.5mm

PART NO.	POLES	LENGTH
CTBP010/2	2	15mm
CTBP010/3	3	22.5mm
CTBP010/4	4	30mm
CTBP010/5	5	37.5mm
CTBP010/6	6	45mm
CTBP010/7	7	52.5mm
CTBP010/8	8	60mm
CTBP010/9	9	67.5mm
CTBP010/10	10	75mm
CTBP010/11	11	82.5mm
CTBP010/12	12	90mm



## KEY FEATURES

Low profile | Double interlock mechanism | Professional rising clamp

