

EVU-1-32-TP-M

3 phase connection unit with 4 pole 32amp MCB

The **EVU-1-32-TP-M** from matt:e is simple single dedicated connection unit with built in **O-PEN** technology, which allows for the connection of a 32 amp three phase EV charge point to the existing PME earthing facility.

The unit incorporates a 5 pole isolator with built-in shunt trip which disconnects all poles including CPC in the event of a fault, manually resettable in line with BS: 7671, 2018 A1 Regulation 722.411.4.1 (iii)

The **O-PEN** technology does not require earth rods or measuring electrodes to function correctly



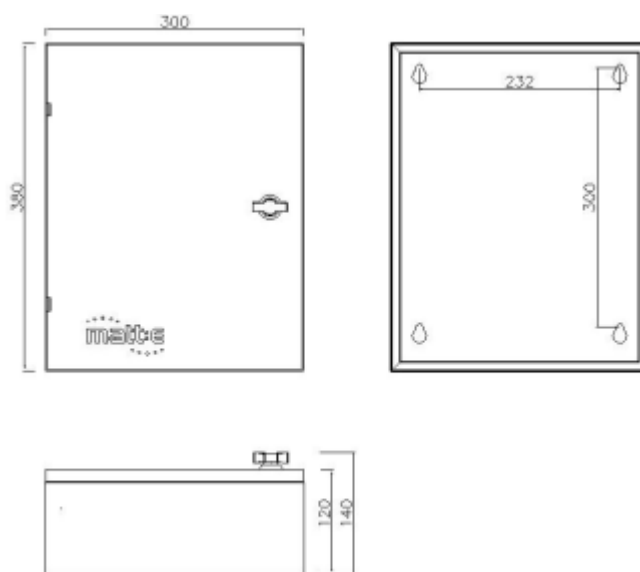
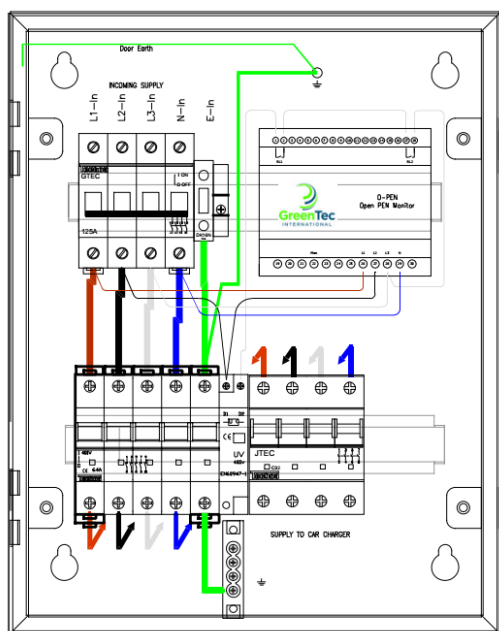
Product Features

- Built in O-PEN technology
- Standard mild steel IP4X enclosure
- NO EARTH ELECTRODES REQUIRED
- Phase loss protection
- Built in 5 pole mains isolator with manually resettable shunt trip
- Standard 1 Year parts warranty
- Simple wire in wire out connection
- With 1 x 32amp MCB
- Designed and Built in the UK

...Simplifying EV connection

EVU-1-32-TP-M

Dimensions and Specifications



Description	Dedicated EV connection centre
Input Volts	Nominal input voltage Three Phase 400V 50Hz
Max Load	32 amps
Cable Entry Facility	Top and bottom
Terminal Capacity	25.0mm ²
Dimensions (H x W x D)	380mm x 316mm x 120mm
Weight	Approximately 7kg
Enclosure	Mild Steel Powder Coated
Ingress Protection	IP4X
Warranty	The matt:e EVU-1-32-TP-M is guaranteed for a period of 1 years from the date of purchase. This warranty is limited to the replacement of faulty components only.

...Simplifying EV connection