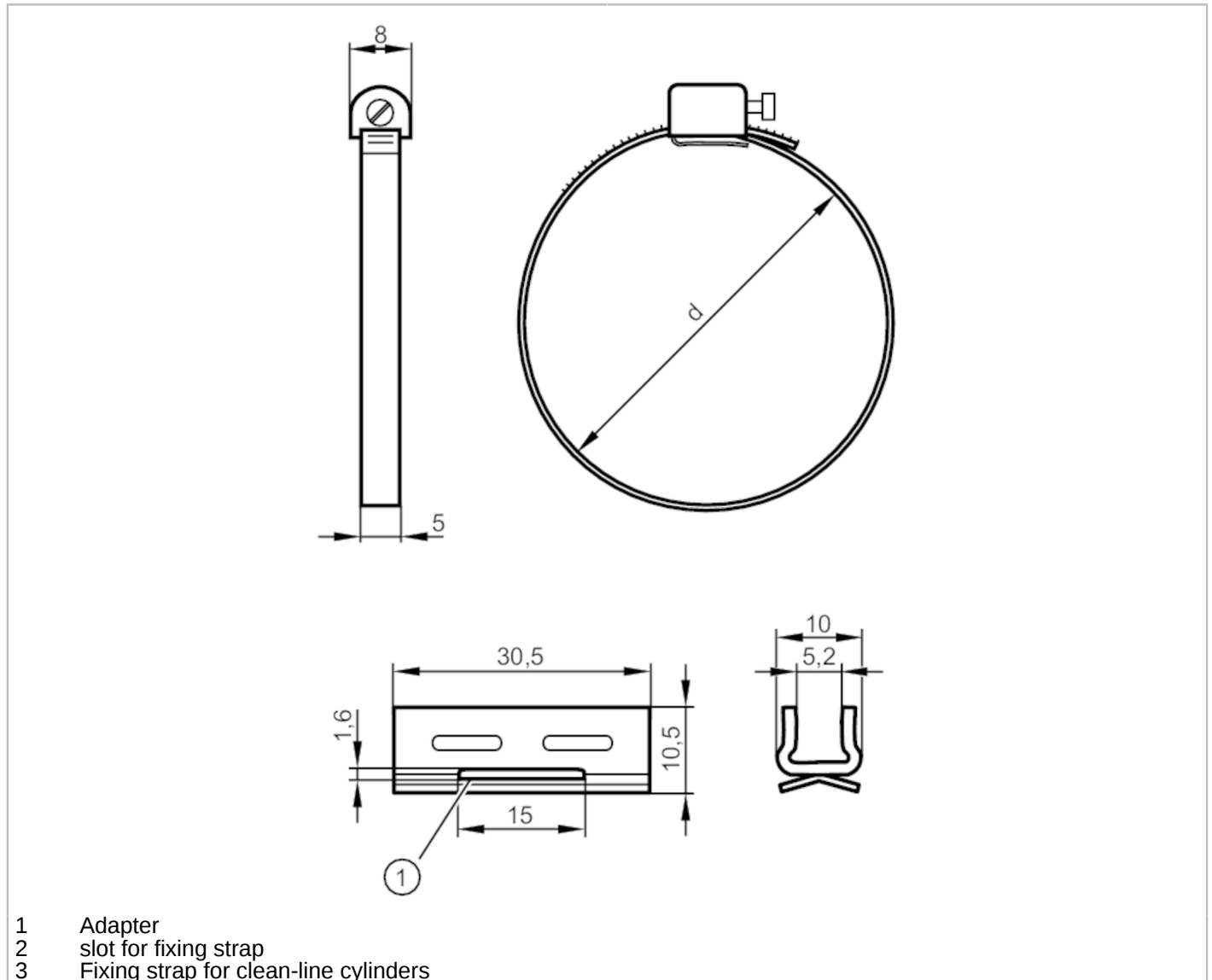


E11981



Fixing strap for clean-line cylinders

FIXING STRAP CLEAN-LINE CYL



Mechanical data

Weight	[g]	18.7
Dimensions	[mm]	Ø 80
Materials		Adapter: stainless steel (1.4301 / 304); fixing strap: stainless steel (1.4305 / 303)
Piston diameter	[mm]	80
Clamping range	[mm]	78...89

Accessories

Accessories (supplied)	Adapter:, for types, MKT
------------------------	--------------------------

Remarks

Pack quantity	1 pcs.
---------------	--------