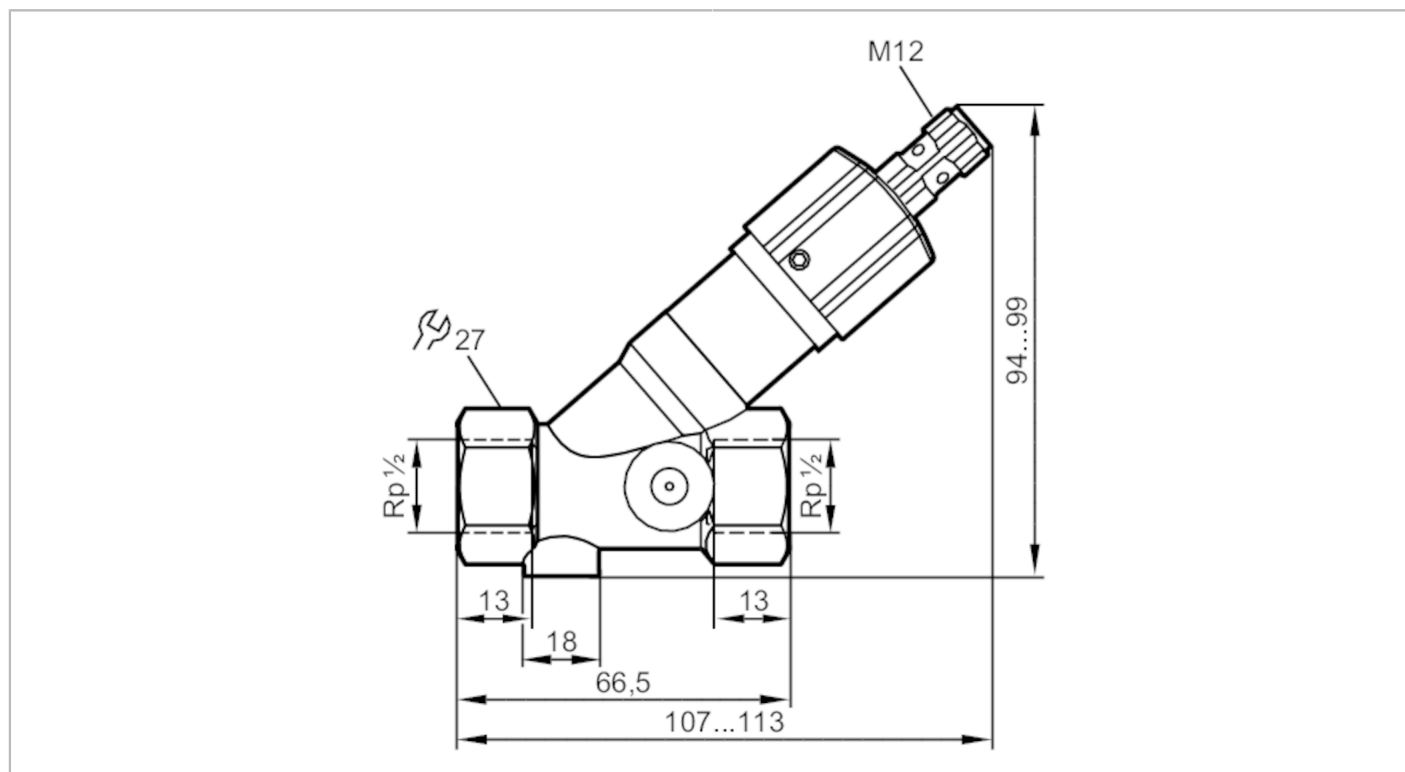


# SBY321



## Flow sensor with integrated backflow prevention

SBY12IR0BPKG/US



Product characteristics	
Number of inputs and outputs	Number of digital outputs: 1
Process connection	Rp 1/2
Application	
Media	Liquids; water; glycol solutions; oils; coolants
Medium temperature [°C]	0...85
Pressure rating [bar]	80
Electrical data	
Operating voltage [V]	10...30 DC; (to SELV/PELV)
Current consumption [mA]	< 15
Protection class	III
Reverse polarity protection	yes
Inputs / outputs	
Number of inputs and outputs	Number of digital outputs: 1

# SBY321



## Flow sensor with integrated backflow prevention

SBY121R0BPKG/US

Outputs		
Total number of outputs		1
Output signal		switching signal
Electrical design		PNP
Number of digital outputs		1
Output function		normally open
Max. voltage drop switching output DC	[V]	2.5
Permanent current rating of switching output DC	[mA]	100
Short-circuit protection		yes
Overload protection		yes
Measuring/setting range		
Setting range	[l/min]	0.2...4
Accuracy / deviations		
Repeatability		1
	[% of the final value]	
Hysteresis	[l/min]	0,1...0,2
Measuring error		± 5
	[% of the final value]	
Response times		
Response time	[s]	< 0.01
Operating conditions		
Ambient temperature	[°C]	0...60
Storage temperature	[°C]	-15...80
Protection		IP 65; IP 67
Tests / approvals		
EMC	DIN EN 61000-6-2	
	DIN EN 61000-6-3	
Shock resistance	DIN EN 60068-2-27	20 g (11 ms)
Vibration resistance	DIN EN 60068-2-6	5 g (10...2000 Hz)
Mechanical data		
Weight	[g]	434
Materials		brass chemically nickel-plated; aluminium anodised; PA
Materials (wetted parts)		stainless steel (1.4310 / 301); stainless steel (1.4401 / 316); PBT; brass chemically nickel-plated; PPS; O-ring: FKM Polyolefin
Process connection		Rp 1/2
Switching cycles mechanical		10 million
Displays / operating elements		
Display	switching status	4 x LED, yellow
Accessories		
Accessories (supplied)		Allen key

# SBY321



## Flow sensor with integrated backflow prevention

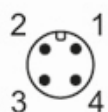
SBY121R0BPKG/US

### Remarks

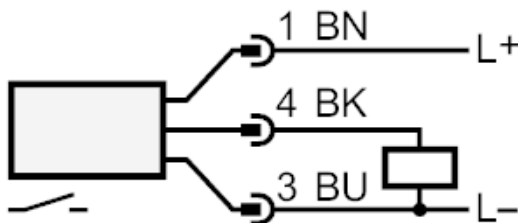
Remarks	Caution Do not turn the setting screw beyond the maximum value of the setting range. All data refer to water (20 °C).
Pack quantity	1 pcs.

### Electrical connection

Connector: 1 x M12



### Connection



colours to DIN EN 60947-5-2

Core colours :

- BK = black
- BN = brown
- BU = blue

# SBY321

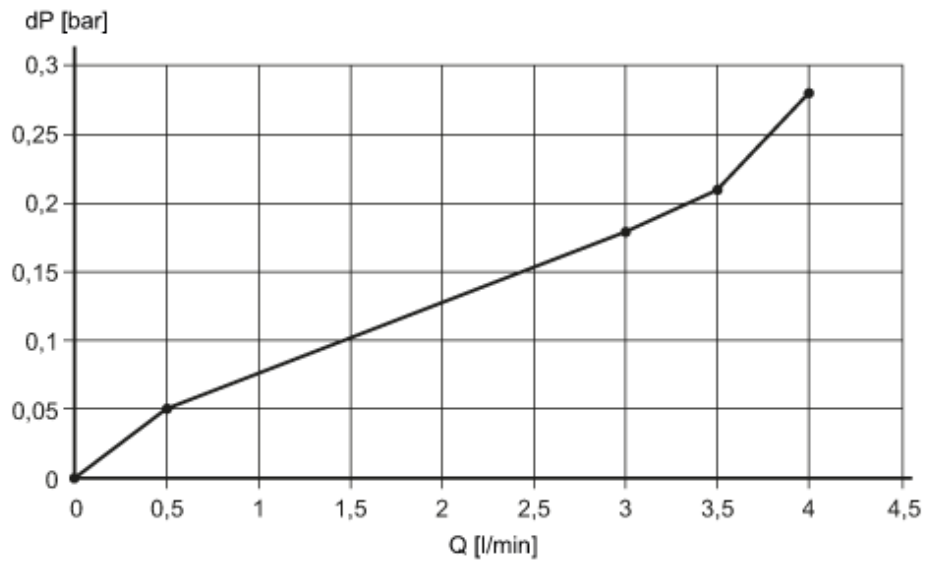


## Flow sensor with integrated backflow prevention

SBY12IR0BPKG/US

### Diagrams and graphs

Pressure loss



dP Pressure loss

Q volumetric flow quantity