

CONTROL KIT,



General technical data:

<b>product brand name</b>		SIRIUS
<b>Product designation</b>		control kit
<b>Protection class IP</b>		IP20
Relative humidity during operation	%	10 ... 90
<b>Ambient temperature</b>		
• during transport	°C	-55 ... +80
• during storage	°C	-55 ... +80
• during operation	°C	-20 ... +60
<b>Equipment marking acc. to DIN EN 61346-2</b>		K
<b>Equipment marking acc. to DIN 40719 extended according to IEC 204-2 acc. to IEC 750</b>		K

Installation/ mounting/ dimensions:

<b>Width</b>	mm	44.8
<b>Height</b>	mm	40
<b>Depth</b>	mm	23.4

Certificates/ approvals:

<b>Certificate of suitability</b>		IEC / EN 60947-6-2
-----------------------------------	--	--------------------

General Product Approval	EMC	other
--------------------------------	-----	-------



[Environmental  
Confirmations](#)

[Declaration of  
Conformity](#)

[other](#)

### Further information

**Information- and Downloadcenter (Catalogs, Brochures,...)**

<http://www.siemens.com/industrial-controls/catalogs>

**Industry Mall (Online ordering system)**

<http://www.siemens.com/industrymall>

**Cax online generator**

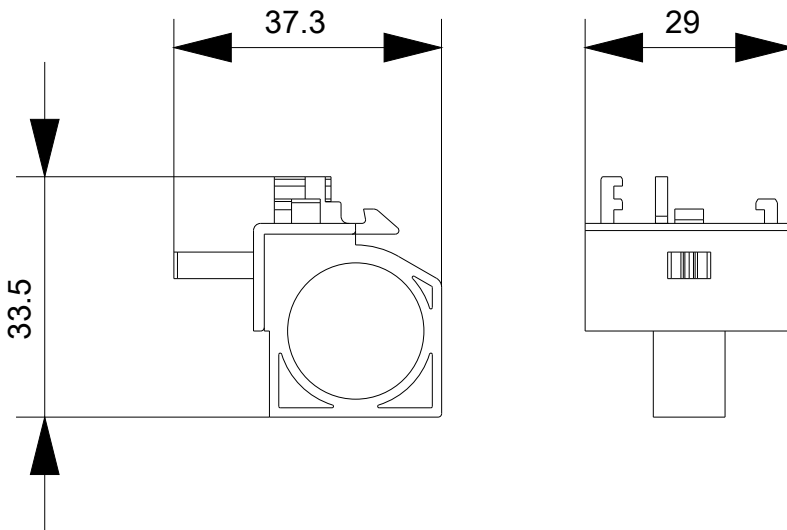
<http://support.automation.siemens.com/WW/CAXorder/default.aspx?lang=en&mfb=3RA69500A>

**Service&Support (Manuals, Certificates, Characteristics, FAQs,...)**

<http://support.automation.siemens.com/WW/view/en/3RA69500A/all>

**Image database (product images, 2D dimension drawings, 3D models, device circuit diagrams, EPLAN macros, ...)**

<http://www.automation.siemens.com/bilddb/index.aspx?attID9=3RA69500A&lang=en>



last modified:

09.03.2015