



ALPHA 400 DIN, WALL-MOUNTING DISTRIBUTOR,
DELIVERY FORM FLAT PACK, AP-CUBICLE, RAL
9016, IP43, SK1, H=950 W=300 D=210

Protection class		
Protection class IP		IP43
Mechanical Design		
Height	mm	950
Width	mm	300
Depth	mm	210
Installation depth	mm	210
Material / of the enclosure		sheet steel/plastic

General Product Approval	Declaration of Conformity	Test Certificates
--------------------------	---------------------------	-------------------



[other](#)



[Type Test Certificates/Test Report](#)

[Special Test Certificate](#)

Further information

Information- and Downloadcenter (Catalogs, Brochures,...)
<http://www.siemens.com/lowvoltage/catalogs>

Industry Mall (Online ordering system)
<https://eb.automation.siemens.com/mall/en/WW/Catalog/Product/8GK11024KK12>

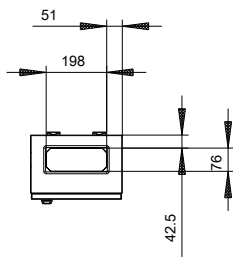
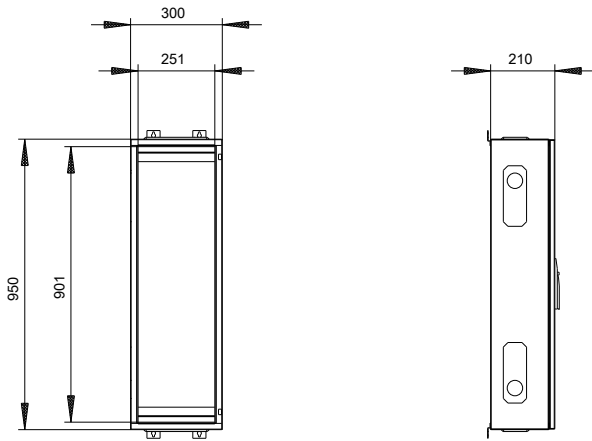
Service&Support (Manuals, Certificates, Characteristics, FAQs,...)
<http://support.automation.siemens.com/WW/view/en/8GK11024KK12/all>

Image database (product images, 2D dimension drawings, 3D models, device circuit diagrams, ...)
http://www.automation.siemens.com/bilddb/cax_en.aspx?mlfb=8GK11024KK12

CAX-Online-Generator
<http://www.siemens.com/cax>

Tender specifications

<http://ausschreibungstexte.siemens.com/tiplv>



last modified:

11.03.2015