

# Multi Battery Indicator

## Multi-Color

multicomp **PRO**

RoHS  
Compliant



### Features

#### Display

- Battery level display mode 10 LED segment 1red 2yellow and 7green.
2. Battery indicator
- When the key switch is connected it will recognize the current voltage range of 12V/24V/36V/48V and display the remaining batter capacity automatically.
  - Battery level delay function can customize battery level go down one bar by one bar every 155s and go up one bar by one bar every 200s.
  - Discharge curve 6 groups of battery curves can be selected.
3. Output function can customize
- Battery capacity  $\geq 20\%$  high level timing terminal and low level timing terminal relay will be NC.
  - 10% Battery capacity  $< 20\%$ , high level timing terminal relay will be NO, low level timing terminal relay will be NC.
  - Battery capacity  $< 10\%$ , high level timing terminal and low level timing terminal relay will be NO.

### Specification

Product Name	: Battery Indicator with Hour Meter
Operating voltage	: DC 12V / 24V / 36V / 48V
Working voltage	: 8V DC to 60V DC
Working temperature	: -20°C to 65°C
Voltage accuracy	: $\pm 0.5\%$
Charging delay time	: 200s
Delay time of every bar	: 155s
Display screen	: LED
Screen size	: 25.4mm $\times$ 7.7mm
Product dimension	: $\Phi 56\text{mm} \times 65\text{mm}$
Applicable type of battery	: 6 types battery type
Housing material	: ABS
Waterproof rate	: IP65
Operation temperature	: -20°C to 65°C
Weight	: 108g

Type	A	B	C	D	E	F
Empty value	1.73	1.85	1.75	1.9	1.98	1.63
Full value	2.04	2.02	1.97	2.03	2.08	1.97
Charing value	2.08	1.97	2.01	2.07	2.12	2.02

Newark.com/multicomp-pro  
Farnell.com/multicomp-pro  
sg.element14.com/b/multicomp-pro

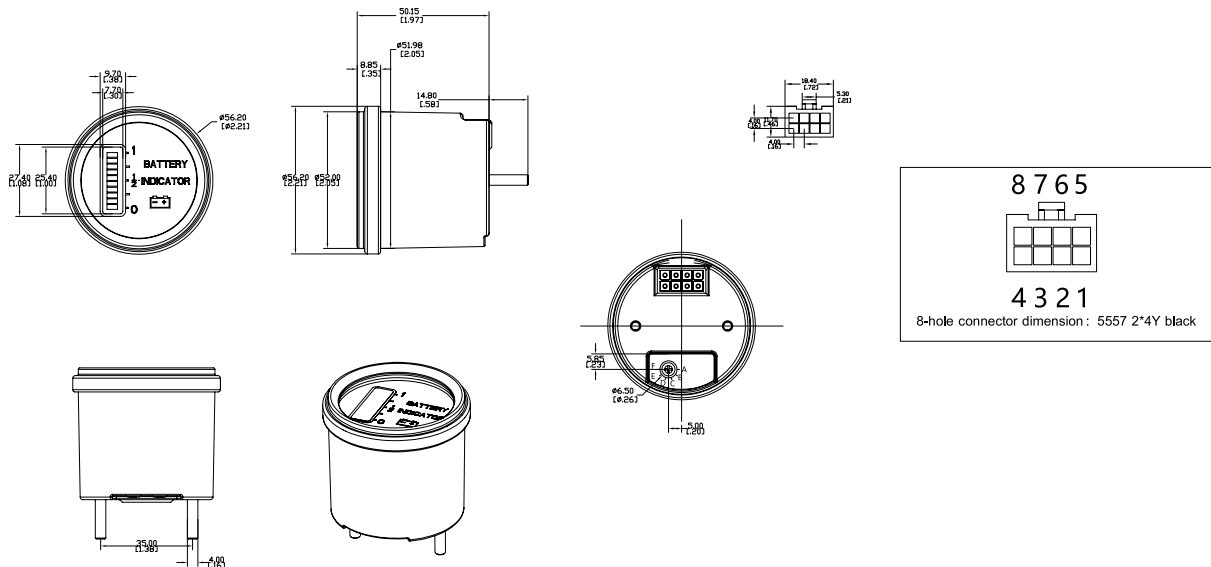
multicomp **PRO**

# Multi Battery Indicator

## Multi-Color

**multicomp** PRO

### Diagram



Dimensions : Millimetres

1	Low level timing control terminal, Connect to battery negative pole.
2	Key switch, Connect to battery positive pole
3/4	Output terminal, battery capacity $\geq 10\%$ , relay will be NC; battery capacity $< 10\%$ , relay will be NO
5	Power input negative terminal, connect to battery negative pole
6	High level timing control terminal, connect to battery positive pole
7	Positive pole of battery input, Connect to battery positive pole range DC 8-45V
8	Positive pole of battery input, Connect to battery positive pole range DC 18-60V

### Part Number Table

Description	Part Number
Multi Battery Indicator, 12/24V/36V/48V	MP011723

**Important Notice :** This data sheet and its contents (the "Information") belong to the members of the AVNET group of companies (the "Group") or are licensed to it. No licence is granted for the use of it other than for information purposes in connection with the products to which it relates. No licence of any intellectual property rights is granted. The Information is subject to change without notice and replaces all data sheets previously supplied. The Information supplied is believed to be accurate but the Group assumes no responsibility for its accuracy or completeness, any error in or omission from it or for any use made of it. Users of this data sheet should check for themselves the Information and the suitability of the products for their purpose and not make any assumptions based on information included or omitted. Liability for loss or damage resulting from any reliance on the Information or use of it (including liability resulting from negligence or where the Group was aware of the possibility of such loss or damage arising) is excluded. This will not operate to limit or restrict the Group's liability for death or personal injury resulting from its negligence. Multicomp Pro is the registered trademark of Premier Farnell Limited 2019.

Newark.com/multicomp-pro  
 Farnell.com/multicomp-pro  
 sg.element14.com/b/multicomp-pro

**multicomp** PRO