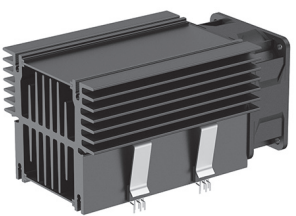
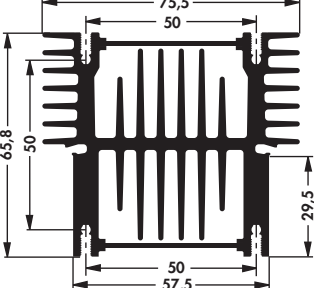
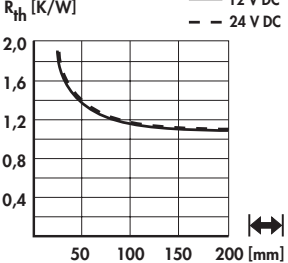



### Heatsink-cooling aggregates


- with grooves for lock-in retaining springs THFU
- screw-in solder pin M 3 (**art. no.: ELS 3**)
- different lengths, special designs and machinings according to customer specifications
- different surfaces, fan types and fan voltages upon request

<b>art. no.</b>			
<b>LA 27 K ...</b>			
<b>please indicate:</b>	... 		<b>... fan type</b>
	<b>50 75 84 94 100 125 150 mm</b>		<b>12 = 12 V DC</b> <b>24 = 24 V DC</b>

### Technical data of the fans

	... 12	... 24
<b>type</b>	ebmpapst, ball bearing	ebmpapst, ball bearing
<b>dimensions</b>	60x60x25 mm	60x60x25 mm
<b>tension</b>	12 V DC	24 V DC
<b>power inout</b>	2.9 W	3 W
<b>max. air volume</b>	56 m <sup>3</sup> /h	56 m <sup>3</sup> /h
<b>temperature range</b>	-20°C... +70°C	-20°C... +70°C
<b>noise level</b>	41 dB(A)	41 dB(A)
<b>speed</b>	6800 min <sup>-1</sup>	6850 min <sup>-1</sup>
<b>weight</b>	66 g	66 g
<b>failure rate (L<sub>10</sub>)</b>	L <sub>10</sub> < 60.000 h (40°C)	L <sub>10</sub> < 60.000 h (40°C)

### Lock-in retaining spring for transistors

art. no.	for transistor-housing	suitable for heatsinks	spring force [N]	material	
<b>THFU 7</b>	eSIP	SK 480/ SK 482/ SK 483/ SK 487/ SK 490/ SK 492/ SK 495/ SK 573/ SK 574/ SK 576/ LAM 3 K	46 ±5	stainless steel	