

DESCRIPTION

Connector especially designed for SMT technology
EMV compatible and in accordance with ISO 7816-2

MECHANICAL

Contacts force : between 0.2N-0.5N
Durability : 100000 cycles
Insertion force : 10N max
Extraction force : 3N min

ELECTRICAL

Insulation resistance : 1000MOhms
Dielectric withstand voltage between card contacts and detection switch : 1000 Vrms
contact resistance:100 miliohms
Current carrying : min 10 micro A max 1A

SWITCH

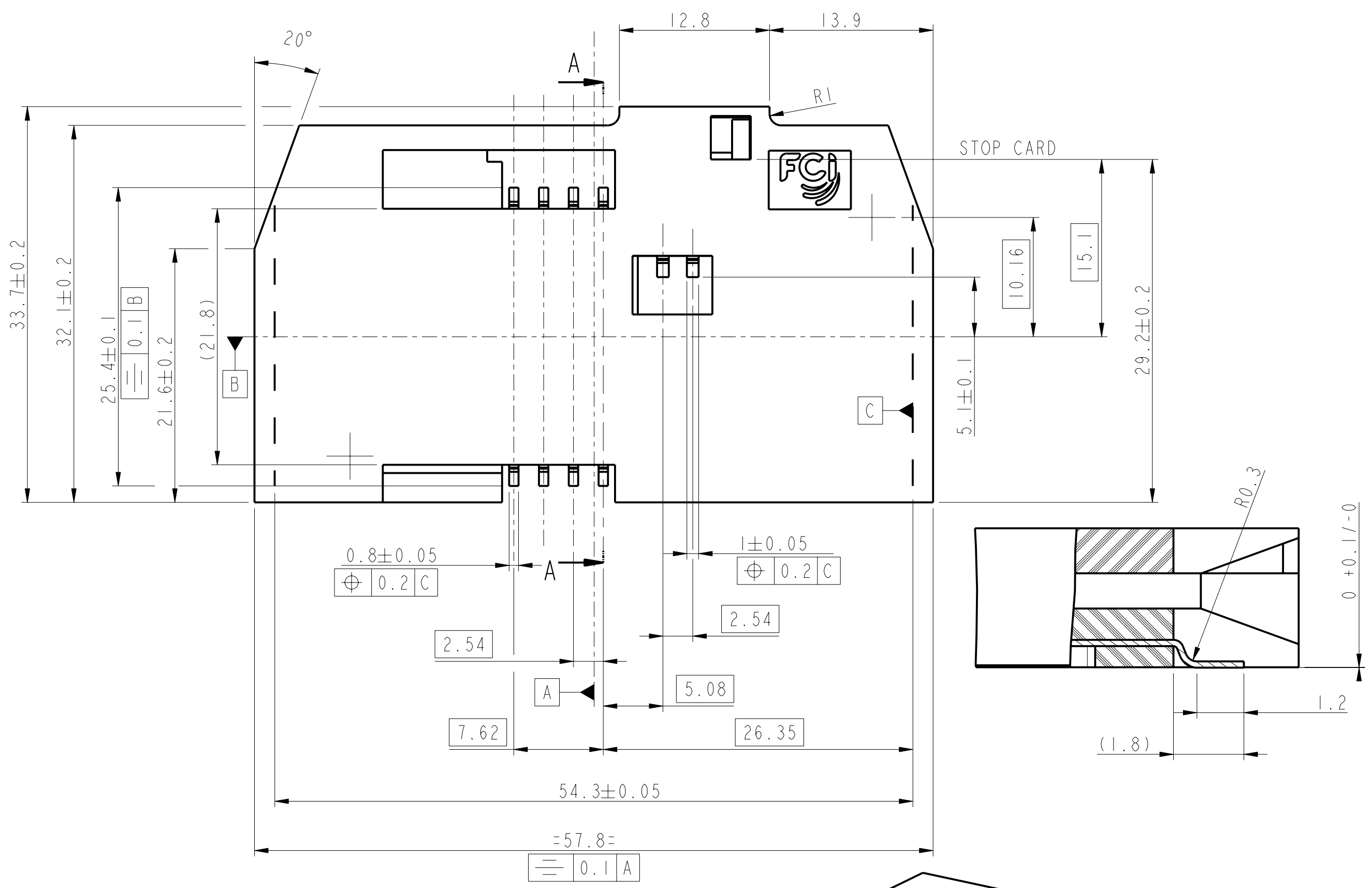
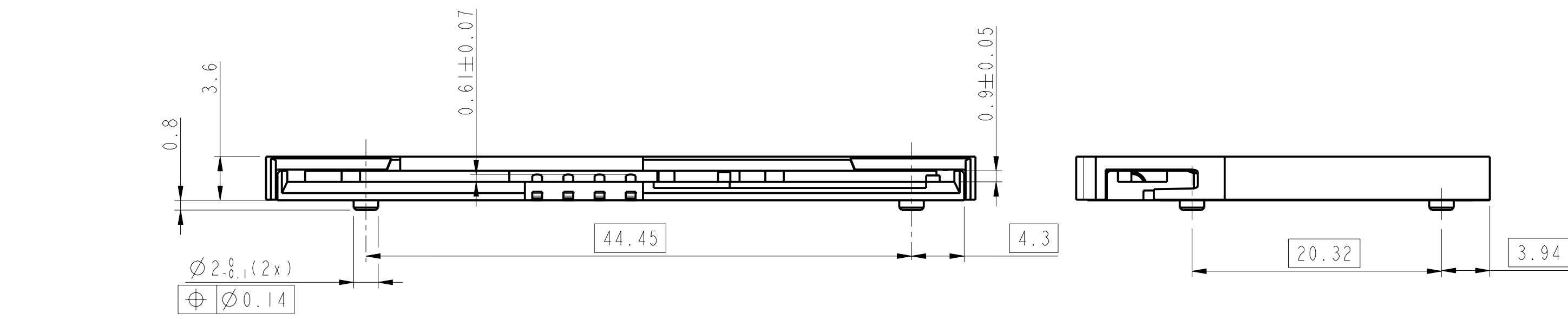
Contact closed : contact resistance 100mOhms
Open contact : voltage proof 300Vms

MATERIAL

Contacts : copper alloy
Cover :
Color for LF part : Natural
Color for non LF part : Brown
Plating : Gold over Nickel on contact area
Solder tails : SnPb or Sn bare edge allowed
Housing : self extinguishing, Thermoplastic UL94-V0 rated

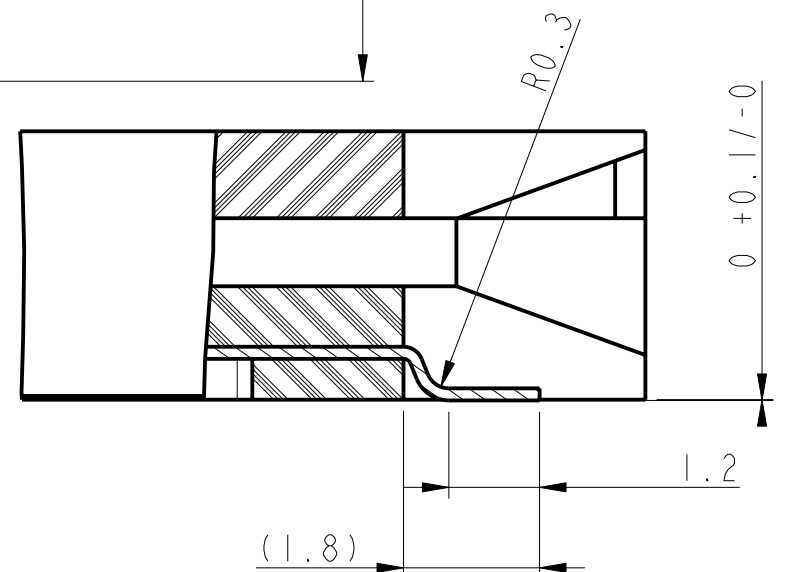
ENVIRONMENT

Storage temperature : -40°C, +85°C
Operating temperature : -20°C, +70°C
Packaging : Tray
Compatible reflow soldering process

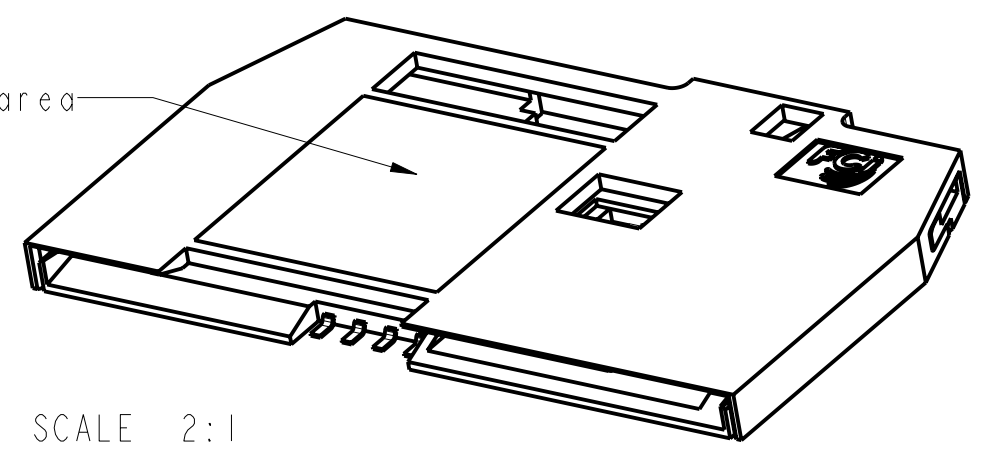


NOTE: RoHS INFORMATIONS

- The "LF" products meet European Union Directives and other country regulations as described in GS-22-008.
- The housing will withstand exposure to 260°C peak temperature for 30 seconds in a convection, infra-red or vapor reflow oven. See Application notes/procedures, if they are available.
- Packaging spec: see gs-14-920



TIN LEAD CATALOGUE NUMBER	LEAD FREE CATALOGUE NUMBER
7712P0225A25	7712P0225A25LF
7312P0225A13	7312P0225A13LF



General Tolerances

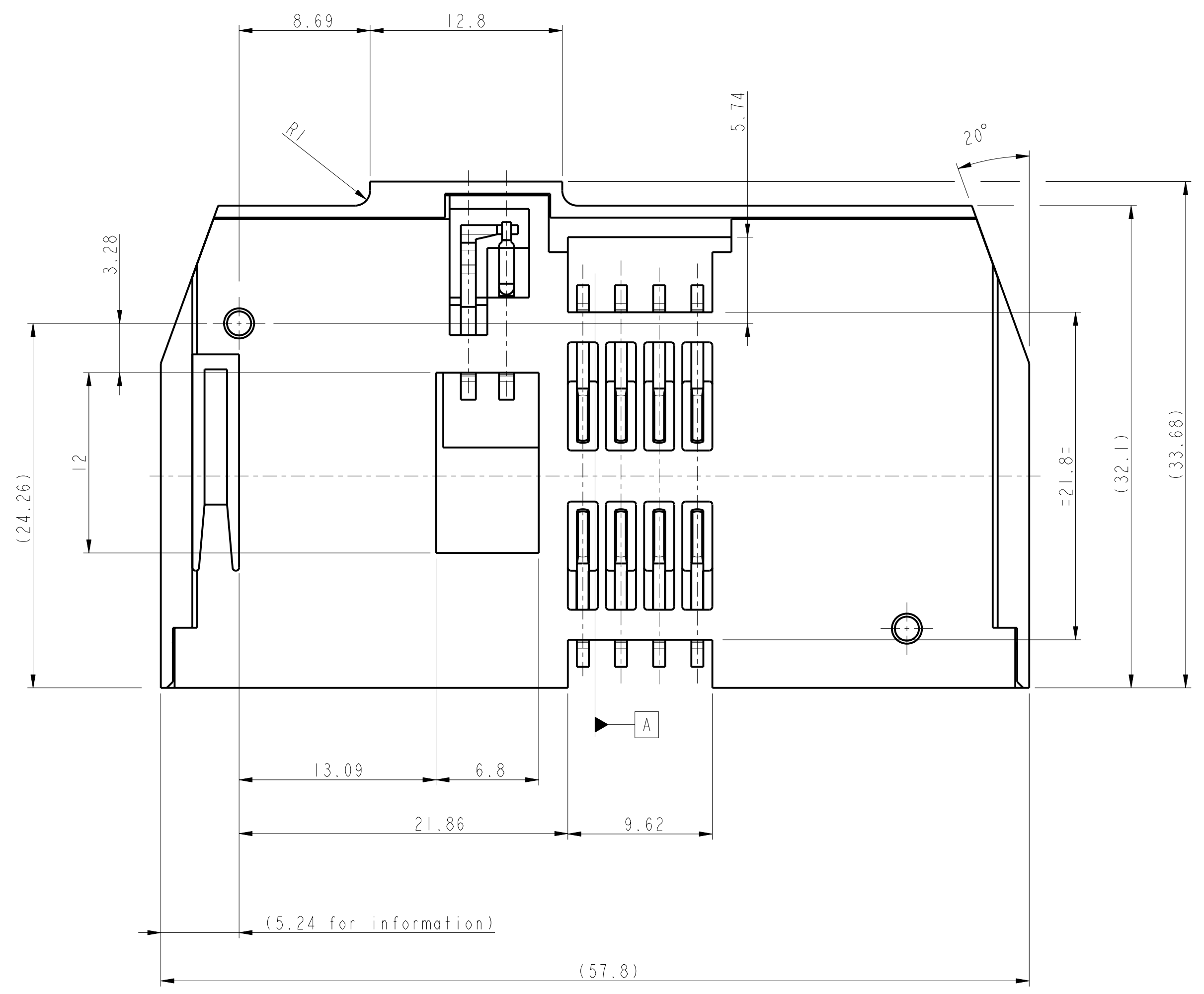
0 to 10mm:	±0.1mm
10 to 30mm:	±0.15mm
30 to 60mm:	±0.2mm
60 and more:	±0.3mm

l/tr	ecn no	dr	date
B	LS2030	HLE	2002/11/15
C	LS4049	JG	2004/05/06
D	LS05-0047	LGO	2005/05/13
E	LS05-0059	HLE	2005/06/30
F	LS06-0139	PCR	2006/09/08
G	LS06-0206	HLE	2006/12/12
H	107-0137	PKR	2007/10/11

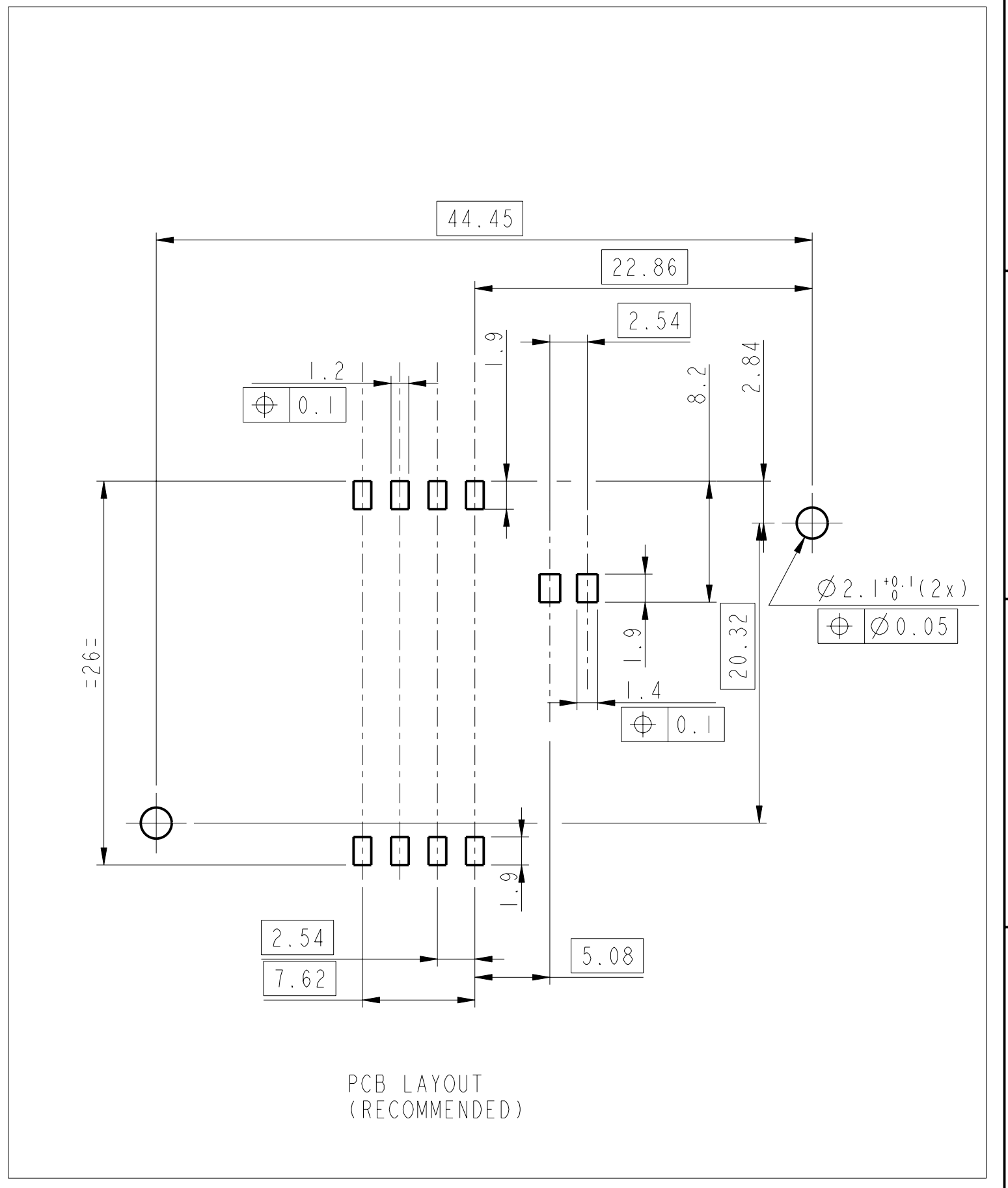
www.fciconnect.com		surface	--	tolerance std	projection	mm
		ISO 1302	✓	ISO 406 ISO 1101	⊕	
TOLERANCES UNLESS OTHERWISE SPECIFIED						
Dr	LEGRAND	1996/08/26	ANGULAR	0.X	±0.3	size A2
Eng	TISSERAND	1996/08/26	LINEAR	0.XX	±0.1	Scale 3:1
Chr	SARUNCHERIAN	2007/02/26	0° ±2°	0.XXX	±0.05	ECN 107-0137
Appr	K.V.SIVADAS	2007/02/26	Product family	MOBILE I/O	Spec ref	--
FCJ			CHIP CARD CONNECTOR		dwg no	VJW53666
			TYPE : P02 (8cts with cover)		Rev.	H
			catalog no		SEE NOTES	CUSTOMER
					sheet 1 of 3	

Copyright FCI. FCJ

TIN LEAD CATALOGUE NUMBER	LEAD FREE CATALOGUE NUMBER
7712P0225A25	7712P0225A25LF
7312P0225A13	7312P0225A13LF



LAYOUT FOR KEEP OUT ZONE
(CONNECTOR SIDE)



PCB LAYOUT
(RECOMMENDED)

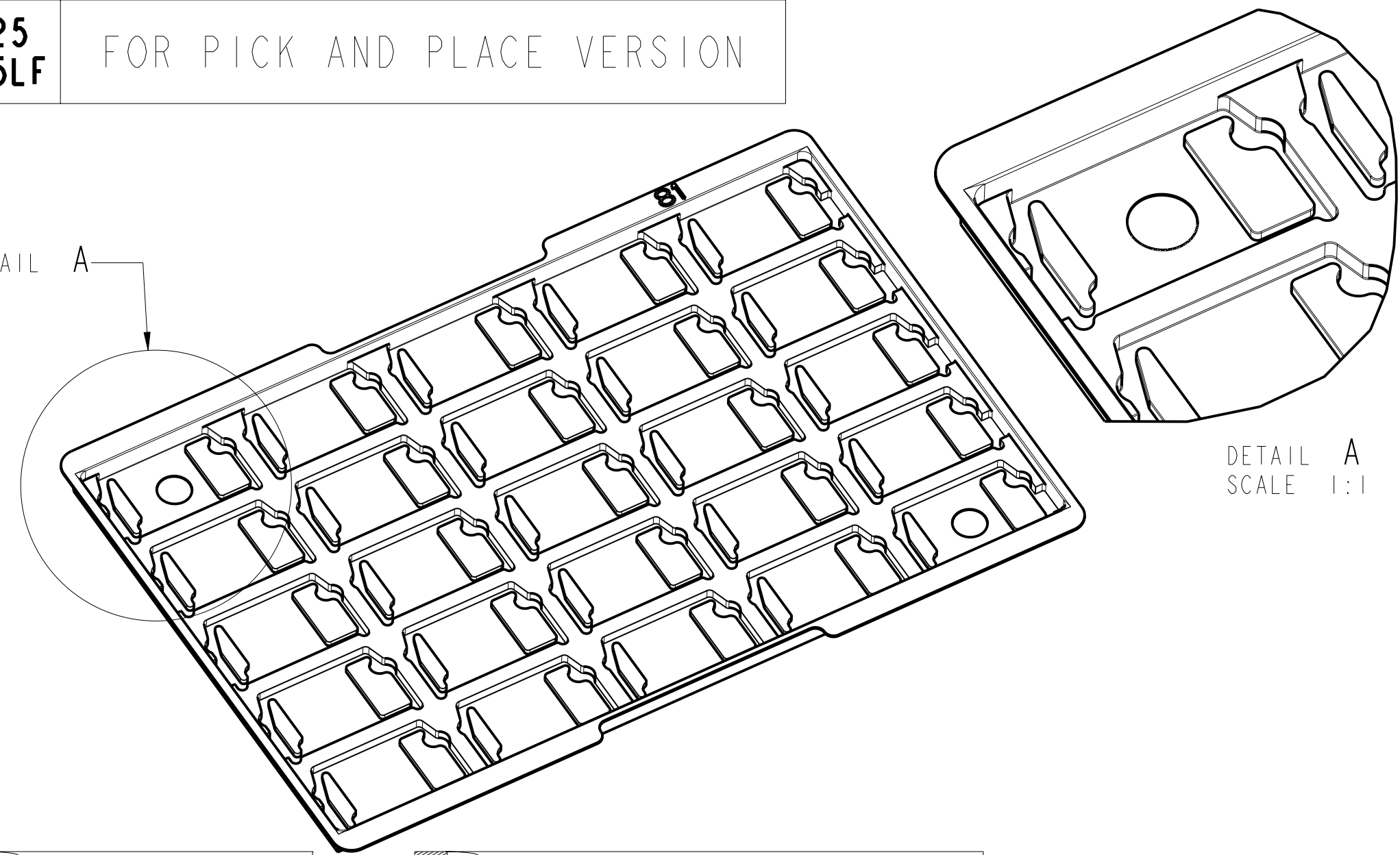
www.fciconnect.com		surface -- ✓	tolerance std	projection	mm
		ISO 1302	ISO 406 ISO 1101		
TOLERANCES UNLESS OTHERWISE SPECIFIED					
Dr	LEGRAND	1996/08/26	ANGULAR	0.X	±0.3
Eng	TISSERAND	1996/08/26	LINEAR	0.XX	±0.1
Chr	SARUNCHERIAN	2007/02/26	0° ±2°	0.XXX	±0.05
Appr	K V SIVADAS	2007/02/26	Product family		MOBILE I/O
				size	A2
				Scale	4:1
				ECN	107-0137
				Spec ref	--
		TITLE		dwg no	Rev.
		CHIP CARD CONNECTOR		VJW53666	H
		TYPE : P02 (8cts with cover)			
		catalog no		CUSTOMER	sheet 2 of 3

Copyright FCI. FCI

7712P0225A25
7712P0225A25LF

FOR PICK AND PLACE VERSION

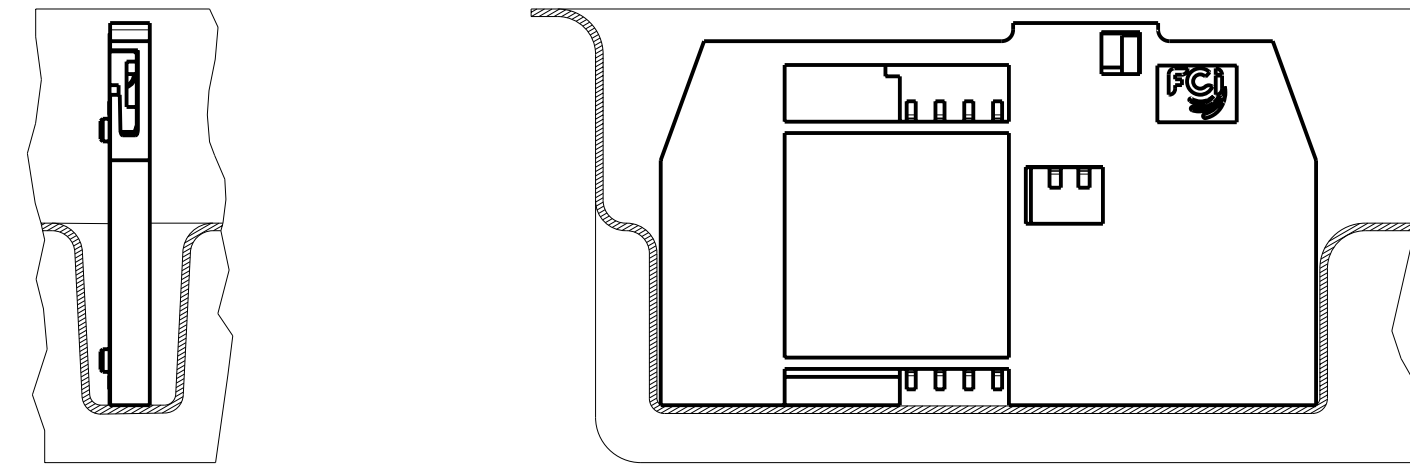
SEE DETAIL A



HORIZONTAL PLACEMENT

7312P0225A13
7312P0225A13LF

STANDARD VERSION



VERTICAL PLACEMENT

PACKAGING

P / N	Quantity by Tray	Trays Material Detail
7712P0225A25 7712P0225A25LF	25 Horizontal Placement	Antistatic
7312P0225A13 7312P0225A13LF	100 Vertical Placement	No Antistatic

www.fciconnect.com		surface -- ✓	tolerance std ISO 1302	ISO 406	ISO 1101	projection	mm
		TOLERANCES UNLESS OTHERWISE SPECIFIED					
Dr	LEGRAND	1996/08/26	ANGULAR	0.X	±0.3	size	Scale
Eng	TISSERAND	1996/08/26	LINEAR	0.XX	±0.1	A2	3:2
Chr	SARUNCHERIAN	2007/02/26	0° ±2°	0.XXX	±0.05	ECN	107-0137
Appr	K V SIVADAS	2007/02/26	Product family	MOBILE I/O		Spec ref	--
		CHIP CARD CONNECTOR			dwg no	VJW53666	
		TYPE : P02 (8cts with cover)			Rev.	H	
catalog no		SEE NOTES		CUSTOMER		sheet 3 of 3	

Copyright FCI. FCI