

Spezifikation für Freigabe / specification for release

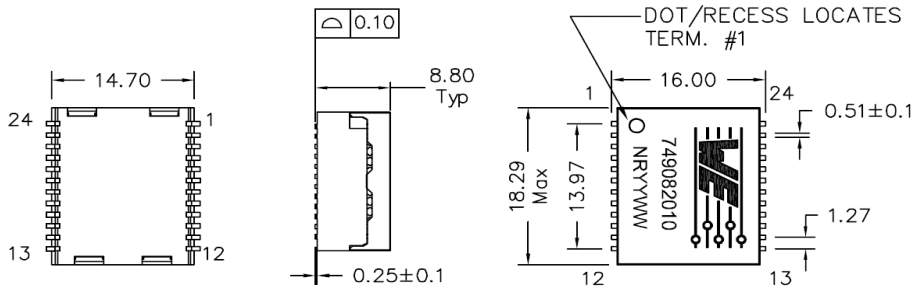
Kunde / customer :
 Artikelnummer / part number : **749082010**
 Bezeichnung : **LAN-Übertrager WE-LAN 2.5G/5G**
 description : **LAN-Transformer WE-LAN 2.5G/5G**



DATUM / DATE : 2016-10-17

A Mechanische Abmessungen / dimensions :

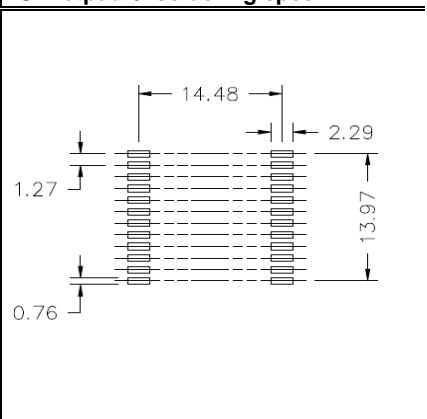
2.5G/5G BaseT 4PPoE



B Elektrische Eigenschaften / electrical properties :

Eigenschaften / properties	Testbedingungen / test conditions		Wert / value	Einheit / unit	tol.
Induktivität / Inductance	100kHz / 100mV @ 27mA DC-Bias	OCL	120	µH	min.
Übersetzungsverhältnis / Turns ratio	100kHz / 100mV	TR	1:1		±2%
Insertion Loss	100kHz-1MHz	IL	-3,0	dB	max.
	1MHz-250MHz		-1,3		
Return Loss	1MHz-40MHz	RL	-18,0	dB	min.
	40MHz-100MHz		-13,0		
	100MHz-200MHz		-10,0		
	200MHz-250MHz		-9,0		
Common to Differential Mode Rejection	1MHz-250MHz	CDMR	-30,0	dB	min.
Crosstalk	1MHz-100MHz	CT	-35,0	dB	min.
	100MHz-250MHz		-30,0		

C Lötpad / soldering spec. :



D Prüfgeräte / test equipment :

Agilent E5071C

E Testbedingungen / test conditions :

Luftfeuchtigkeit / Humidity: 33%
 Umgebungstemperatur / Temperature: +25°C

F Werkstoffe & Zulassungen / material & approvals :

Basismaterial / Base material: Ferrit / Ferrite
 Draht / Wire: 0UEW/Y 180
 Kontaktmaterial / Contact plating: Cu-Ni-Sn
 Gehäuse / Case: UL94V-0
 Verguss / Potting: UL94V-0

G Eigenschaften / general specifications :

Betriebstemp. / operating temperature: -40°C - +85°C
 Hochspannungsprüfung / Hipot test: 1500Vrms 1min.
 Feuchteempfindlichkeit: MSL 1 / Humidity class: MSL 1

Freigabe erteilt / general release:

	Kunde / customer		
.....
Datum / date	Unterschrift / signature		
	Würth Elektronik		
.....	JaB	Version 01
Geprüft / checked	Kontrolliert / approved	Name	Änderung / modification
			Datum / date

Würth Elektronik eiSos GmbH & Co.KG

D-74638 Waldenburg · Max-Eyth-Straße 1 - 3 · Germany · Telefon (+49) (0) 7942 - 945 - 0 · Telefax (+49) (0) 7942 - 945 - 400
<http://www.we-online.com>

Spezifikation für Freigabe / specification for release

Kunde / customer :
 Artikelnummer / part number : **749082010**
 Bezeichnung : **LAN-Übertrager WE-LAN 2.5G/5G**
 description : **LAN-Transformer WE-LAN 2.5G/5G**



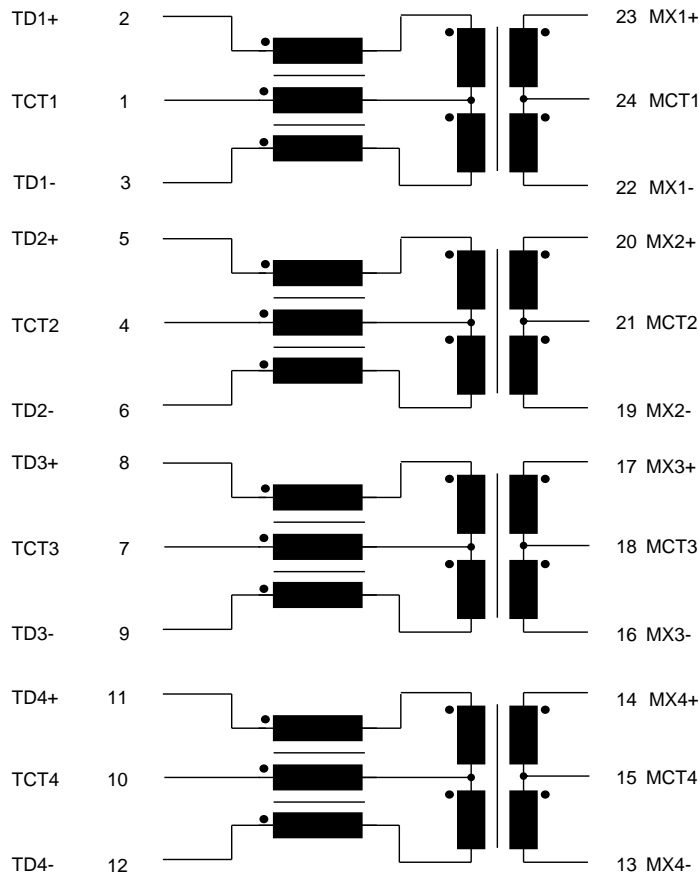
H PoE Eigenschaften :

Designed für Anwendungen bis 1500mA pro Mittelanzapfung
 Designed für Applikationen bis 75W @57VDC
 wenn zwei Kanäle bestromt
 Designed für Applikationen bis 150W @57VDC

H PoE Specifications :

Designed to support applications up to 1500mA per centre tap
 Designed to support applications up to 75W @57VDC
 when using two channels
 Designed to support applications up to 150W @57VDC
 when using four channels

I Schaltbild / Schematics :



Freigabe erteilt / general release:	Kunde / customer			
.....			
Datum / date	Unterschrift / signature			
.....	Würth Elektronik			
.....			
Geprüft / checked	Kontrolliert / approved	JaB	Version 01	2016-10-17
.....	Name	Änderung / modification	Datum / date

This electronic component has been designed and developed for usage in general electronic equipment. Before incorporating this component into any equipment where higher safety and reliability is especially required or if there is the possibility of direct damage or injury to human body, for example in the range of aerospace, aviation, nuclear control, submarine, transportation, (automotive control, train control, ship control), transportation signal, disaster prevention, medical, public information network etc. Würth Elektronik eiSos GmbH must be informed before the design stage. In addition, sufficient reliability evaluation checks for safety must be performed on every electronic component which is used in electrical circuits that require high safety and reliability functions or performance.

Würth Elektronik eiSos GmbH & Co.KG

D-74638 Waldenburg · Max-Eyth-Straße 1 - 3 · Germany · Telefon (+49) (0) 7942 - 945 - 0 · Telefax (+49) (0) 7942 - 945 - 400
<http://www.we-online.com>

Spezifikation für Freigabe / specification for release

Kunde / customer :
 Artikelnummer / part number : **749082010**
 Bezeichnung : **LAN-Übertrager WE-LAN 2.5G/5G**
 description : **LAN-Transformer WE-LAN 2.5G/5G**

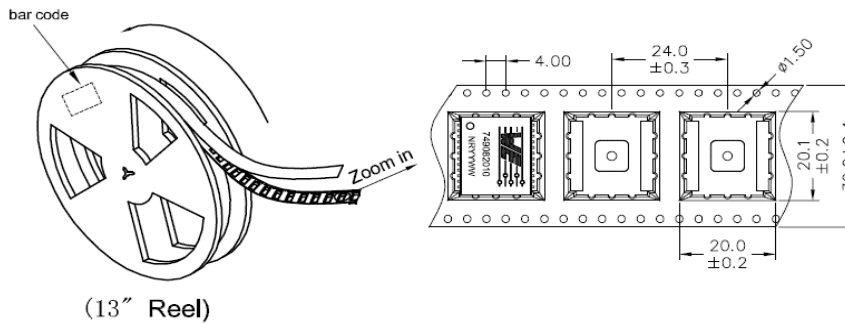


DATUM / DATE : 2016-10-17

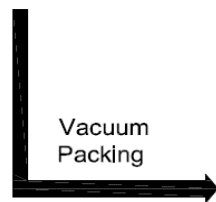
J Rollenspezifikation / tape and reel specification :

Gurtspezifikation / Tape specification:

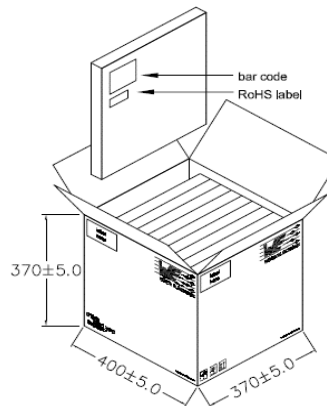
PACKAGING(Tape & Reel)



(13" Reel)



Outside Carton



PACKING QUANTITY:

290 pcs Finished Goods / Reel

8 Reels (2320 pcs Finished Goods) / Carton

Freigabe erteilt / general release:	Kunde / customer			
..... Datum / date Unterschrift / signature			
	Würth Elektronik			
..... Geprüft / checked Kontrolliert / approved	JaB	Version 01	2016-10-17
		Name	Änderung / modification	Datum / date

This electronic component has been designed and developed for usage in general electronic equipment. Before incorporating this component into any equipment where higher safety and reliability is especially required or if there is the possibility of direct damage or injury to human body, for example in the range of aerospace, aviation, nuclear control, submarine, transportation, (automotive control, train control, ship control), transportation signal, disaster prevention, medical, public information network etc, Würth Elektronik eiSos GmbH must be informed before the design-in stage. In addition, sufficient reliability evaluation checks for safety must be performed on every electronic component which is used in electrical circuits that require high safety and reliability functions or performance.

Würth Elektronik eiSos GmbH & Co.KG

D-74638 Waldenburg · Max-Eyth-Straße 1 - 3 · Germany · Telefon (+49) (0) 7942 - 945 - 0 · Telefax (+49) (0) 7942 - 945 - 400
<http://www.we-online.com>