

## Interchangeable jaw grip, soft

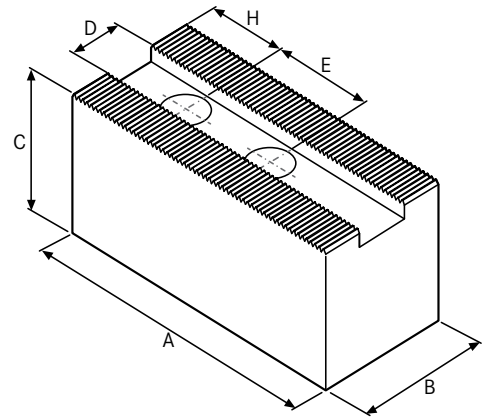
Made from steel

**ATORN**<sup>®</sup>

### Delivery

3 pieces in a set

<b>Art. No.</b>	<b>22430 566</b>
<b>Jaws length</b>	160 mm
<b>Jaws width</b>	60 mm
<b>Jaws height</b>	100 mm
<b>Jaw length x jaw width x jaw height</b>	160 x 60 x 100 mm
<b>Groove width</b>	28 mm
<b>Drilling clearance</b>	38 mm
<b>Toothing</b>	3/32 inch x 90°
<b>Suitable for thread</b>	M20
<b>Material of the jaws</b>	Steel



### EAN-Code

4050293686999